

# HEAVY DUTY SOFT-DOWN STAY



## HDS-10

LID SUPPORTS

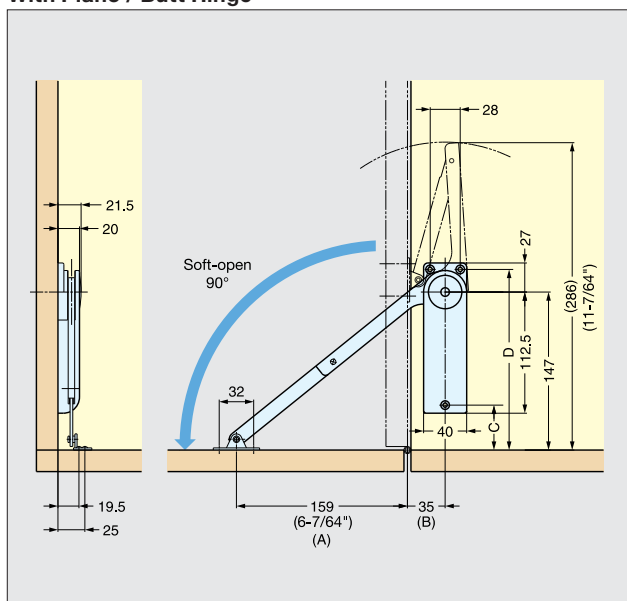
HEAVY DUTY SOFT-DOWN STAY



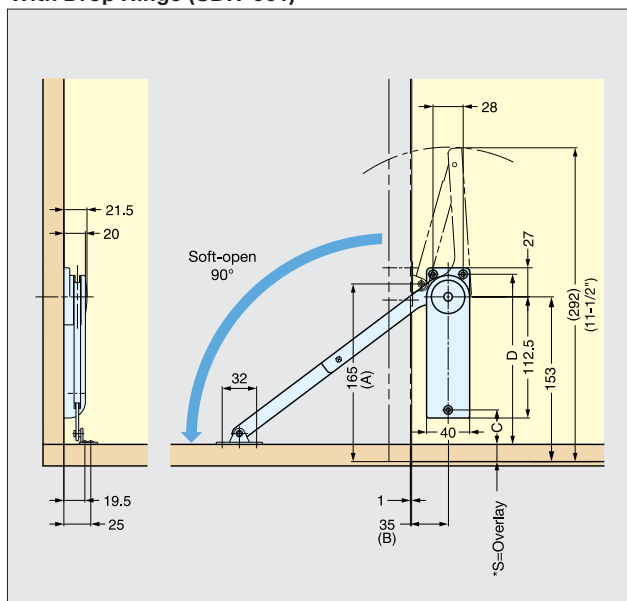
- For DOWNWARD-OPENING FLAP DOOR with piano, butt or drop hinges.
- HDS-10 is designed to hold door in closed and opened position.
- Used in pairs
- Torque Calculation :  
 Torque = Door Height x 1/2 x Door Weight  
 K-Type (Light Duty) :  
 140~200 kg·cm (121~173 lbs·inch) / pair  
 M-Type (Medium Duty) :  
 200~250 kg·cm (173~216 lbs·inch) / pair  
 H-Type (Heavy Duty) :  
 250~300 kg·cm (216~260 lbs·inch) / pair

PAT

With Piano / Butt Hinge



With Drop Hinge (SDH-001)



\*S=Overlay coverage in case of drop hinge

Item No.		Type	Torque (kg·cm/pair)	Weight (g)	Box (pcs)	Carton (pcs)
Left	Right					
HDS-10KL	HDS-10KR	Light Duty	140~200	290	40	200
HDS-10ML	HDS-10MR	Medium Duty	200~250	290		
HDS-10HL	HDS-10HR	Heavy Duty	250~300	310		

Hinge Type	A	B	C	D
Drop Hinge	165	35	48-S	174-S
Piano / Butt Hinge	159		42	168
Material		Finish/Color		
Steel		Nickel		
Plastic		Black, White		