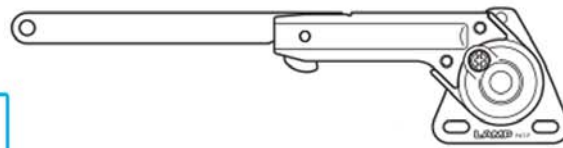
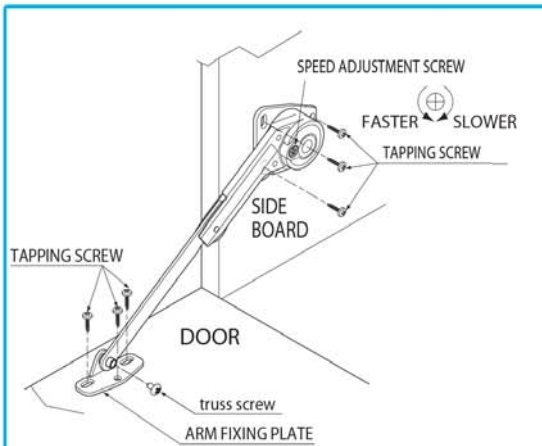


# Bureau Stay

For downward opening lid/door



**NSDX-10**  
**LH =FS10008**  
**RH =FS10009**



**NSDX-10L (left side) shown**

## fitting instructions

### 1 - Position and Install NSDX body and arm fixing plate

The hinge type and the overlay affect the placement of the body and the arm fixing plate. Please use the corresponding diagram to determine the mounting dimensions for your application. Temporarily position and install body and arm fixing plate using the tapping screws on the oval holes.

### 2 - Attach arm to arm fixing plate

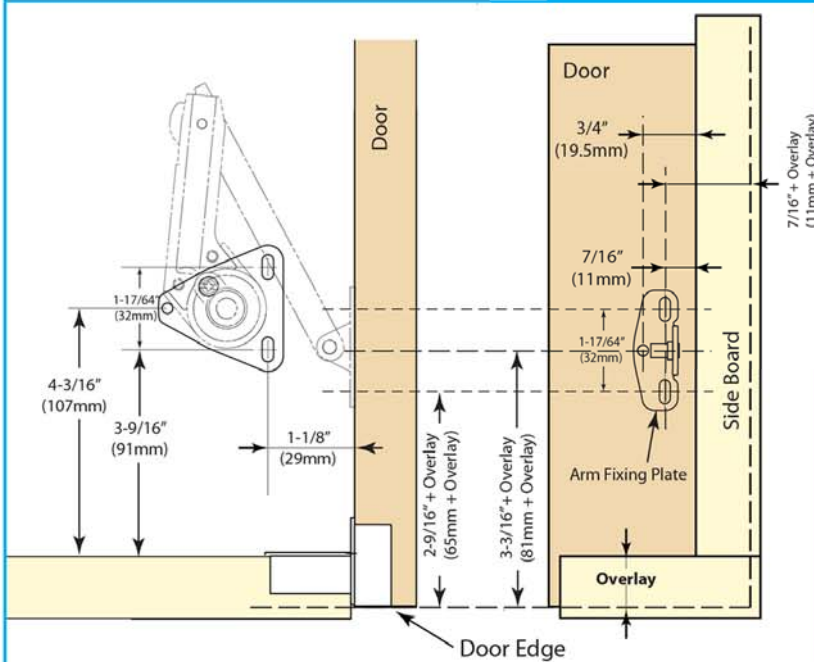
Rotate stay to align the hole on the arm to the arm fixing plate. Attach arm to arm fixing plate using the supplied truss screw.

### 3 - Adjustment and Operation

Check the function and adjust the position of the body and arm fixing plate on oval holes. Tighten screws on oval holes, then fix the position of the body and arm fixing plate with tapping screws on the round holes.

### Speed Adjustment

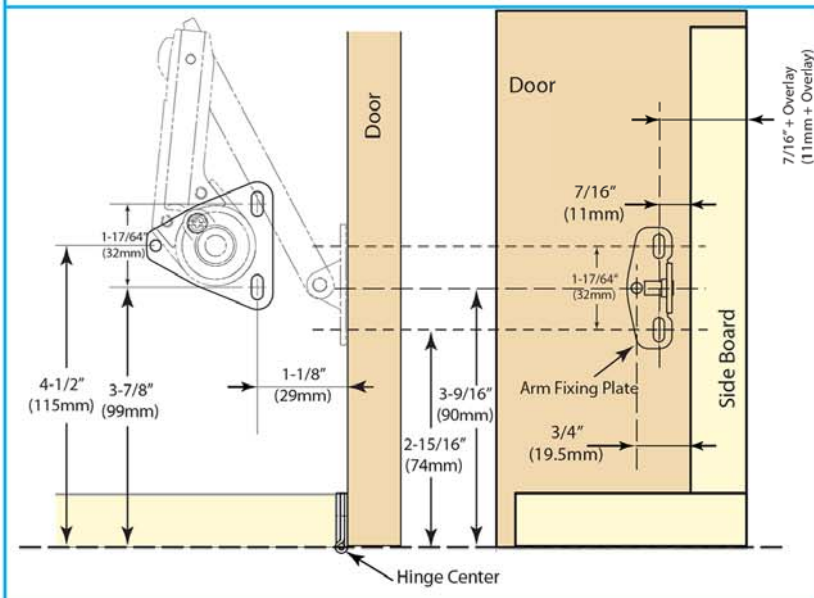
Upon completion of installation, make sure the door opens and closes properly. To adjust the opening speed of door, turn speed adjustment screw. In case 2 units (left & right) are used on a single door, the speed adjustment screws on both sides must be turned evenly.



**We recommend using a bureau hinge with the bureau stay**

**Drop Hinge / Bureau Hinge**  
**(Bureau Hinge HFB1005 / HF0007)**

Available to order separately at:  
[eurofitdirect.co.uk/drop-down-lid-hinge-bureau-hinge](http://eurofitdirect.co.uk/drop-down-lid-hinge-bureau-hinge)



**Overlay Single Knuckle Hinge**  
**(Piano hinge, Butt hinge, etc)**

