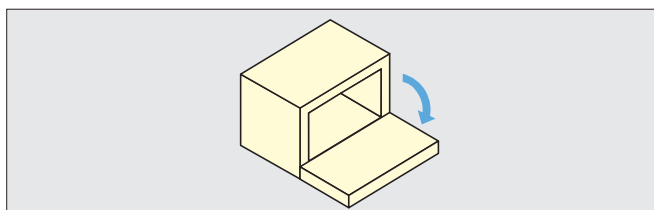
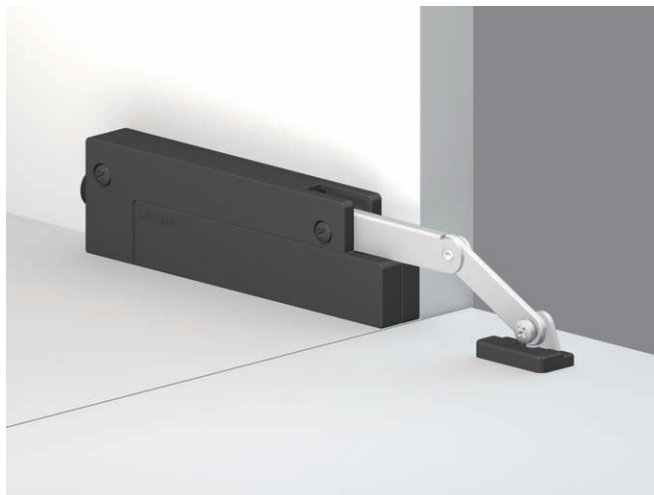


COMPACT SOFT-DOWN STAY



CSD-10-TV

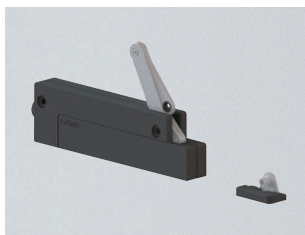


■ Features

- Soft-down stay for downward-opening flap doors.
- Easy-installed just by aligning the main body to the inside cabinet corner.
- Designed for small cabinets such as audio visual furniture.
- Opening speed adjustable. The adjustment screw is located on back for clean appearance.
- Successfully passed for the 40,000 open/close private cycle test.
- CSD-10-TV does not have catch feature. Designed to be used with magnetic catch or touch latch.

■ Parts Included

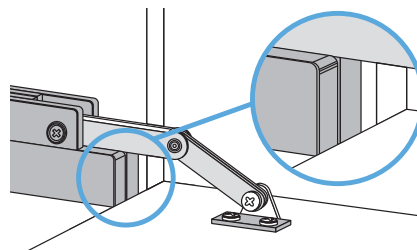
- Mounting plate and cover
- Binding head tapping screw 3.5×30 (for main body)
- Binding head tapping screw 3.5×15 (for mounting plate)



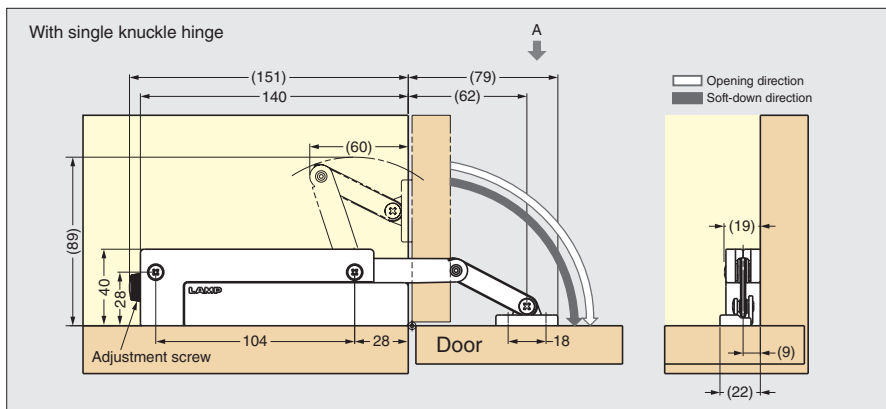
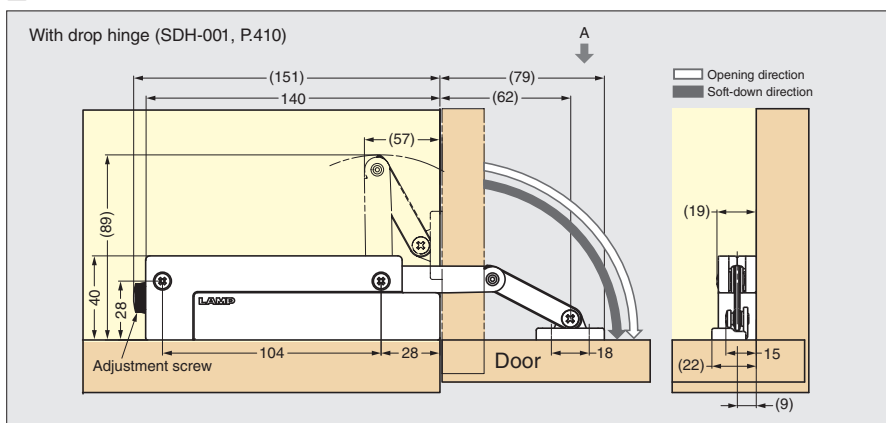
Black



White

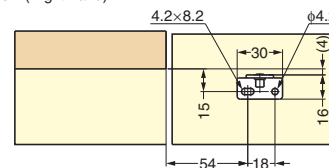


■ Installation

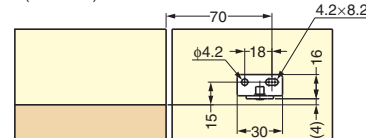


■ Installation of Mounting Plate

A-view (Right hand)



A-view (Left hand)



Item Code	Item Name	Material	Finish/Colour	Torque Moment/piece	Weight	Box	Carton
180-033-207	CSD-10-TV-L-WT	ABS/Steel	Nickel/White	1.0 ~ 2.0 N · m	125 g	10 pcs	100 pcs
180-033-208	CSD-10-TV-L-BL	ABS/Steel	Nickel/Black	(10.2 ~ 20.4 kgf · cm)	125 g	10 pcs	100 pcs
180-033-209	CSD-10-TV-M-WT	ABS/Steel	Nickel/White	2.0 ~ 3.0 N · m	130 g	10 pcs	100 pcs
180-033-210	CSD-10-TV-M-BL	ABS/Steel	Nickel/Black	(20.4 ~ 30.6 kgf · cm)	130 g	10 pcs	100 pcs
180-033-211	CSD-10-TV-H-WT	ABS/Steel	Nickel/White	3.0 ~ 4.0 N · m	130 g	10 pcs	100 pcs
180-033-212	CSD-10-TV-H-BL	ABS/Steel	Nickel/Black	(30.6 ~ 40.8 kgf · cm)	130 g	10 pcs	100 pcs