

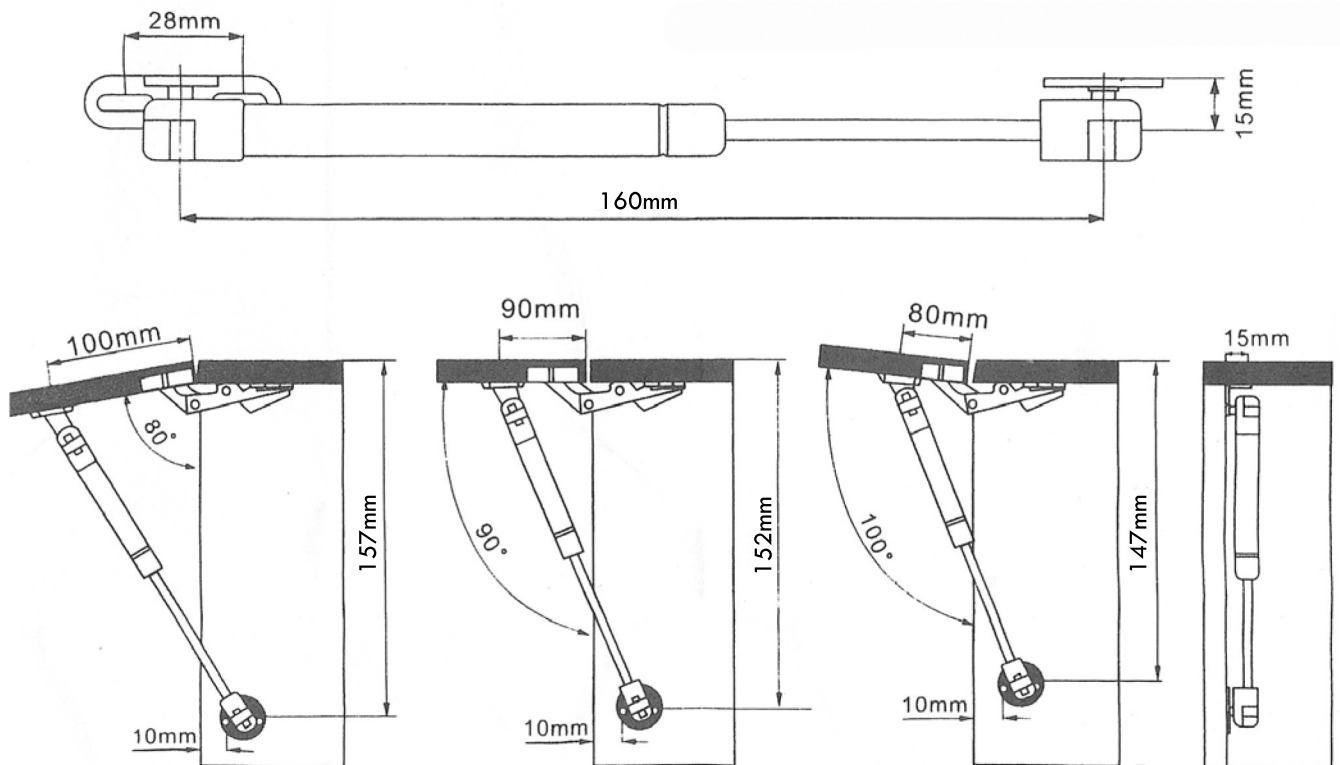
# Gas Strut Lid Stay

For upward opening lid/door

**FS10050-6**



## fitting instructions



### Guidelines for Chipboard / MDF doors

We recommend using Concealed Hinges for the Gas Strut Stays  
 E.G: Clip On 110° Full Overlay Concealed Hinges

Available to order separately at:  
[eurofitdirect.co.uk/clip-on-hinge-110-opening-full-overlay](http://eurofitdirect.co.uk/clip-on-hinge-110-opening-full-overlay)