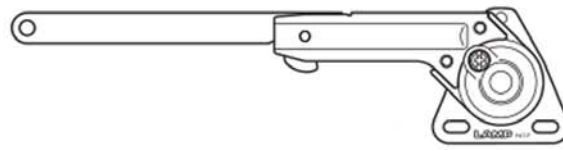
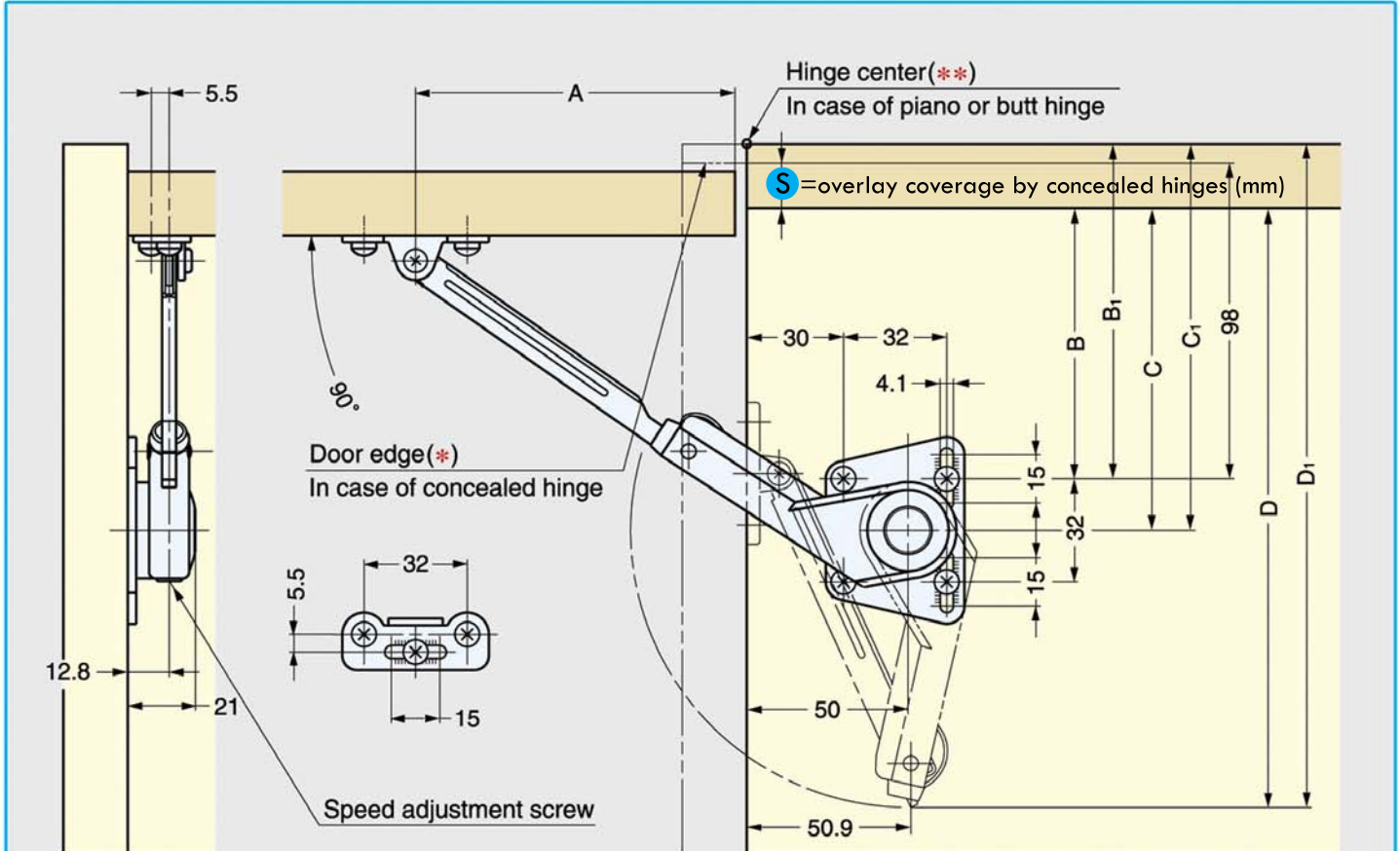


# Kitchen Top Box Stay

For wall mounted lift up lid/door



**NSD-35**  
**LH = FS10012**  
**RH = FS10014**



This drawing above and to the right show NSD-35L (left-hand side mounting). NSD-35R (right-hand) is symmetrical.

**Overlay Concealed Hinge Installation**  
 (Clip On 110° Full Overlay Concealed Hinge)

**or**

**Piano / Butt Hinge Installation**  
 (Steel Butt Hinges)

Available to order separately at:  
[eurofitdirect.co.uk/clip-on-hinge-110-opening-full-overlay](http://eurofitdirect.co.uk/clip-on-hinge-110-opening-full-overlay)

Available to order separately at:  
[eurofitdirect.co.uk/steel-butt-hinges](http://eurofitdirect.co.uk/steel-butt-hinges)

**We recommend using 110° Full Overlay Concealed Hinges with the Toy Box Stays**

Hinge Type	A	B	C	D	B <sub>1</sub>	C <sub>1</sub>	D <sub>1</sub>
Concealed Hinge	99	98-S	114-S	200-S	-	-	-
Piano / Butt Hinge	93	-	-	-	92	108	194

**S** = overlay coverage by concealed hinges (mm)

Opening Angle	80°		90°		100°	
	Down		Middle		Up	
Position of Plates	Mounting Plate	Arm Bracket	Mounting Plate	Arm Bracket	Mounting Plate	Arm Bracket
For Hinge Center (Up) ↑ (Down) ↓						