

#### IntAfit 76mm Heavy Duty Runners

**Profile Height:** 76mm

**Profile Width:** 19.2mm

**Load Rating:** 227kg (based on 457mm)

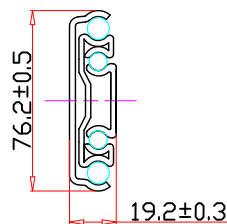
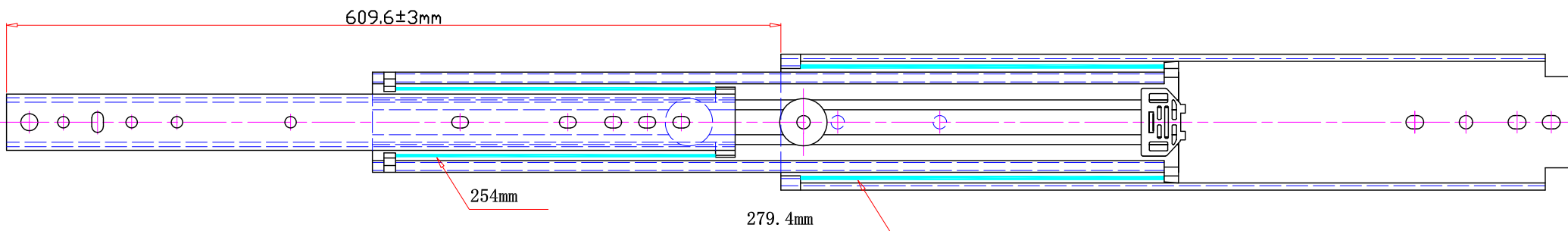
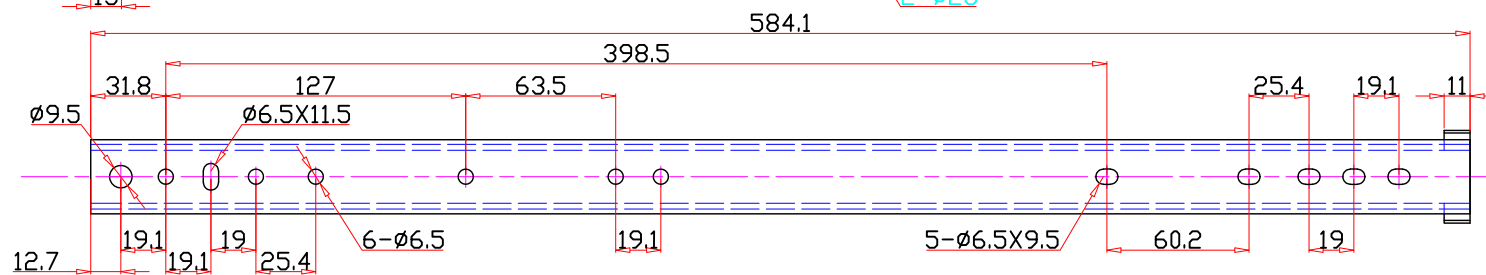
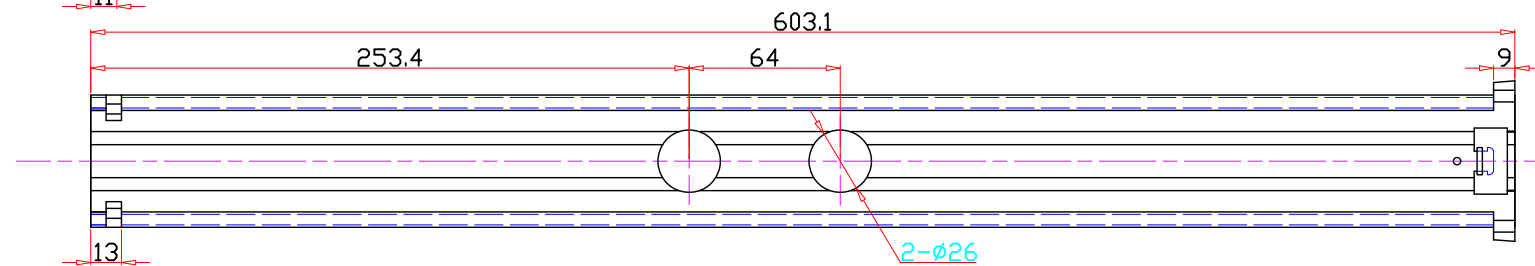
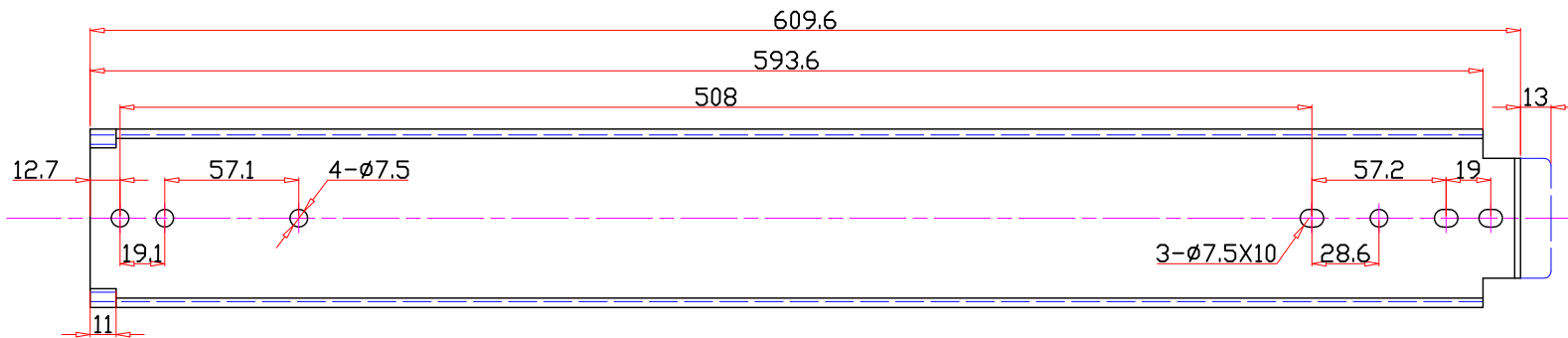
**Extension:** Double

Perfect Solution For:

- Tool Storage
- Vehicle Conversions
- Industrial Machinery
- Computer Server Storage
- ATM & Vending Machines

Closed Length	SKU
304mm (12")	<a href="#">DS76012</a>
355mm (14")	<a href="#">DS76014</a>
406mm (16")	<a href="#">DS76016</a>
457mm (18")	<a href="#">DS76018</a>
508mm (20")	<a href="#">DS76020</a>
559mm (22")	<a href="#">DS76022</a>
610mm (24")	<a href="#">DS76024</a>
660mm (26")	<a href="#">DS76026</a>
711mm (28")	<a href="#">DS76028</a>
762mm (30")	<a href="#">DS76030</a>
813mm (32")	<a href="#">DS76032</a>
864mm (34")	<a href="#">DS76034</a>
914mm (36")	<a href="#">DS76036</a>
965mm (38")	<a href="#">DS76038</a>
1016mm (40")	<a href="#">DS76040</a>
1067mm (42")	<a href="#">DS76042</a>
1118mm (44")	<a href="#">DS76044</a>
1169mm (46")	<a href="#">DS76046</a>
1219mm (48")	<a href="#">DS76048</a>
1270mm (50")	<a href="#">DS76050</a>
1321mm (52")	<a href="#">DS76052</a>
1372mm (54")	<a href="#">DS76054</a>
1422mm (56")	<a href="#">DS76056</a>
1473mm (58")	<a href="#">DS76058</a>
1524mm (60")	<a href="#">DS76060</a>

Load rating testing shown is for a 30,000 cycle test for extendible elements deeper than wide. Drawer runners which are installed in drawers that are wider than they are deep are subject to lateral stress which will reduce load carrying capacity. Test was done according to ANSI/BIFMA X5.9 - 2008 Standard 15.2.1. Please contact us if you have any questions regarding product specification & testing results.



DS76024