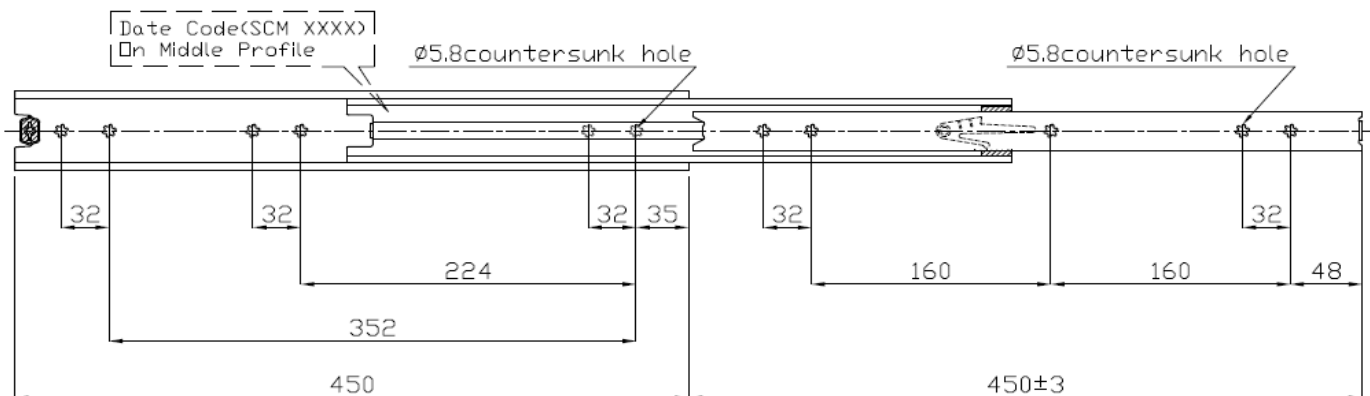
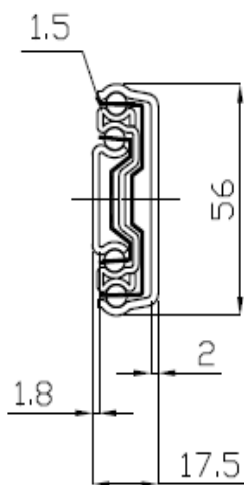




## Ball Bearing 120kg Drawer Slide 56mm

- Extension:** 100%
- Profile Height:** 56mm
- Profile Thickness:** 17.5mm
- Finish:** Zinc Plated
- Material:** Cold Rolled Steel
- Fixing Method:** Screw or Rivet
- Quick Release:** Lever Disconnect
- Load Rating:** 100kg

Length	SKU
450mm	DS56045



Dimensions not binding.

This product has been tested according to ANSI/BIFMA X5.9-2008 Standard, 12.1 cycle test for extendable elements deep then wide at 30,000 cycles with a loading weight of 100kg with a 500mm drawer width and 12mm static subsidence.