

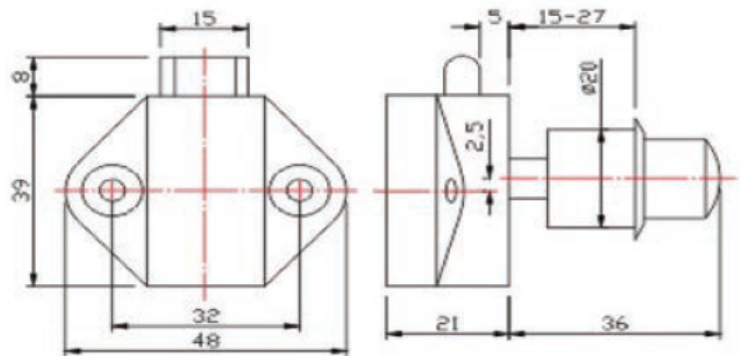
Mini Push Lock

Door Thickness: 15mm

Cutting Hole: 20mm



Finish	SKU
Brown	CL10030
Pearl Nickel	CL10031
Chrome	CL10032



Large Push Locks

Door Thickness: 15mm

Cutting Hole: 25mm

Finish	SKU
Brown	CL10040
Pearl Nickel	CL10041
Chrome	CL10042

