

le feu by Louisa

D E F I N E F I R E



MOUNTING- AND USER MANUAL

Congratulation with your new Lefeu

Before installation and use it is very important that you read and understand this monuting- and user manual, there is some safety issues to take care of before use.

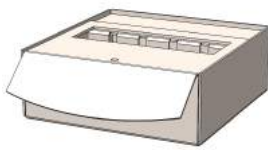
Danger can appear if assembling and use isn't done by following this manual.

What comes with Low Wood

1 Pcs. Dome



1. pcs. burner



3. pcs. wooden legs



3. pcs. screws 3x25 mm



Assembly instructions Low Wood



Total height 80 cm.

WARNING!! The oven must have a distance of minimum 15 cm to combustible material to the sides and back. The front needs a distance of minimum 50 cm, because of the radiant heat from the opening in the front.

1. Mount the three wooden legs in the pipes on the dome, do not tighten them yet.



2. Now the legs are fixed to the dome with the 3 screws 3x25 mm.



3. Place the burner in the dome.



4. Before igniting the oven, control once more that all screws are tighten and the oven is stabile.

P.S. In countries where attachment to the floor is not required, skip point 1 and 3.

Mounting the Burner



Splash cover



Front



Damper adjustment and regulator bar



The burner consists of five parts: Burner vessel, splash cover, a damper adjustment and a damper regulator bar.

1. The burner vessel is placed in the saucer. The two caution logos is to be in the back.
2. The front plate is pushed down in the front between the burner vessel and the saucer. Logo facing forward.
3. The splash cover is placed on top of the burner vessel, have the widest end in the front, so that it easily can slide forward and back to regulate the opening in the damper using the damper adjustment regulator bar.

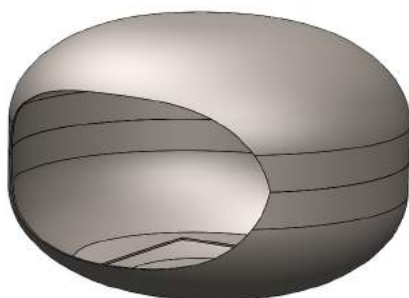
The burner is to be placed and mounted in the rectangular hole provided in the fireplace, after the wood legs, steel stand or the fireplace has been suspended from the ceiling. The damper should face the opening in the fireplace.

Caution: The three models must be placed a safe distance with of no less than 15 cm away from all nonflammable materials. Due to the heat emanating from the fireplace it must be placed a minimum of 1 m from all flammable material.

In addition, is it recommended to place the fireplace in a location of at least 50 cm distance from electronic equipment, since the heat from the oven have a negative effect.

What comes with High Wood

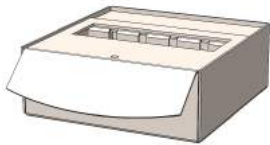
1_pcs. Dome



1_pcs. Bracket for the legs



1_pcs. Burner



3_pcs. Wooden legs



3_pcs. Screws 3x25 mm



3_pcs. Floor brackets



1_pcs.. Allen screw M10x30



1_ M10 Nut



Assembly instructions High Wood



Total height 120 cm.

WARNING!! The oven must have a distance of minimum 15 cm to combustible material to the sides and back. The front needs a distance of minimum 50 cm, because of the radiant heat from the opening in the front.

1. Mount the three wooden legs in the pipes on the bracket, do not tighten them yet.



2. Now the legs are fixed to the bracket with the 3 screws 3x25 mm.



3. Place the dome on the bracket, use the M10x30 Allen screw and the M10 nut to secure the dome on the bracket.

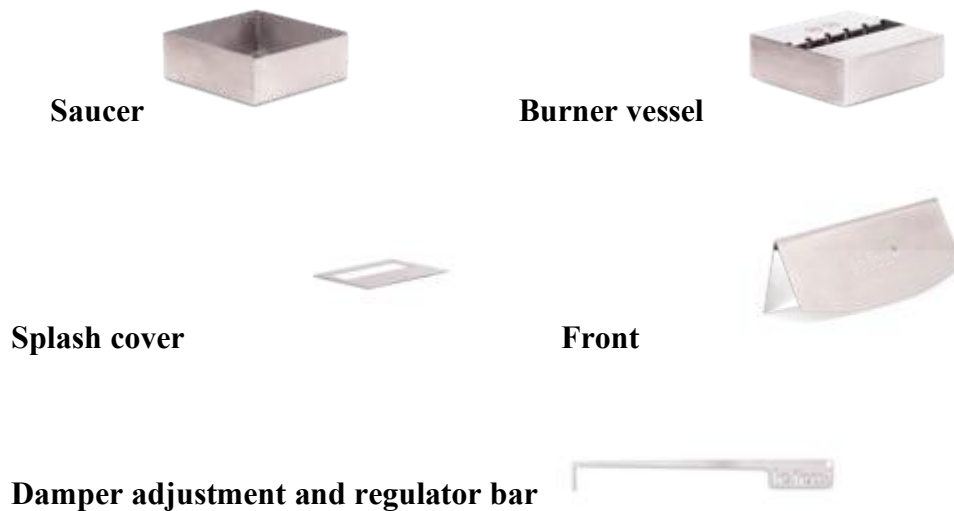


4. Place the burner



5. Before igniting the oven, control once more that all screws are tighten and the oven is stable.

Mounting the Burner



The burner consists of five parts: Burner vessel, splash cover, a damper adjustment and a damper regulator bar.

4. The burner vessel is placed in the saucer. The two caution logos is to be in the back.
5. The front plate is pushed down in the front between the burner vessel and the saucer. Logo facing forward.
6. The splash cover is placed on top of the burner vessel, have the widest end in the front, so that it easily can slide forward and back to regulate the opening in the damper using the damper adjustment regulator bar.

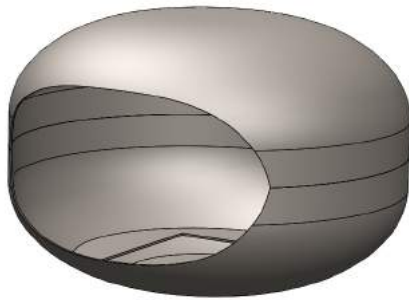
The burner is to be placed and mounted in the rectangular hole provided in the fireplace, after the wood legs, steel stand or the fireplace has been suspended from the ceiling. The damper should face the opening in the fireplace.

Caution: The three models must be placed a safe distance with of no less than 15 cm away from all nonflammable materials. Due to the heat emanating from the fireplace it must be placed a minimum of 1 m from all flammable material.

In addition, is it recommended to place the fireplace in a location of at least 50 cm distance from electronic equipment, since the heat from the oven have a negative effect.

What comes with Sky

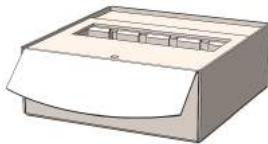
1_pcs. Dome



1_pcs. Ceiling bracket



1_pcs. Burner



1_pcs. Connection pipe



1_pcs. Allen screw M10x30



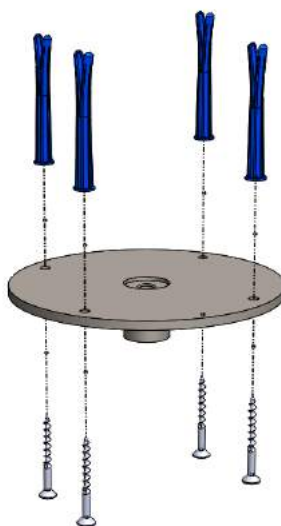
Assembly instructions Sky



Total height 120 cm.

WARNING!! The oven must have a distance of minimum 15 cm to combustible material to the sides and back. The front needs a distance of minimum 50 cm, because of the radiant heat from the opening in the front.

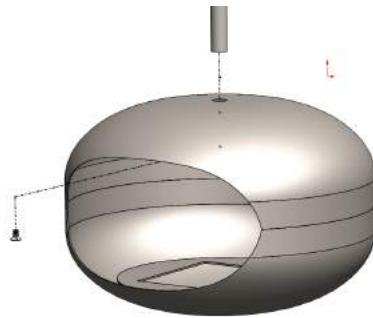
1. Start by mounting the ceiling bracket with the 4 pcs. screws. You must mark and drill 4 pcs. 8 mm holes, mount the plugs and secure the bracket with the screws in the plugs. Notice that the screws are not included in this package. Find the screws that matches your ceiling type, at your local hardware store.



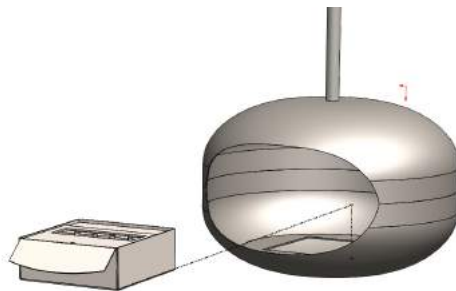
2. Mount the connection pipe to the ceiling bracket.



3. Mount the dome to the connection pipe with the M10x30 Allen screw.

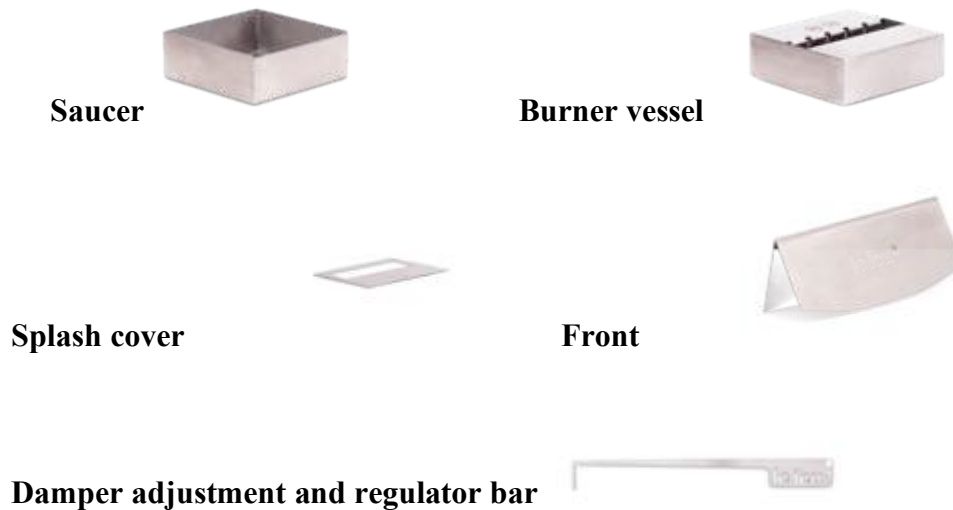


4. Place the burner.



5. Before lightening secure that all is tighten and the oven is stabile

Mounting the Burner



The burner consists of five parts: Burner vessel, splash cover, a damper adjustment and a damper regulator bar.

1. The burner vessel is placed in the saucer. The two caution logos is to be in the back.
2. The front plate is pushed down in the front between the burner vessel and the saucer. Logo facing forward.
3. The splash cover is placed on top of the burner vessel, have the widest end in the front, so that it easily can slide forward and back to regulate the opening in the damper using the damper adjustment regulator bar.

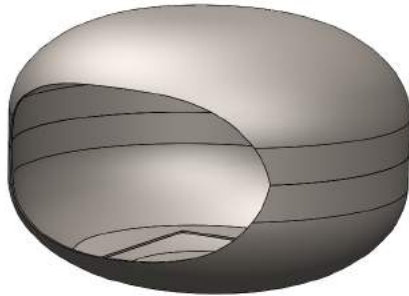
The burner is to be placed and mounted in the rectangular hole provided in the fireplace, after the wood legs, steel stand or the fireplace has been suspended from the ceiling. The damper should face the opening in the fireplace.

Caution: The three models must be placed a safe distance with of no less than 15 cm away from all nonflammable materials. Due to the heat emanating from the fireplace it must be placed a minimum of 1 m from all flammable material.

In addition, is it recommended to place the fireplace in a location of at least 50 cm distance from electronic equipment, since the heat from the oven have a negative effect.

What comes with Feed

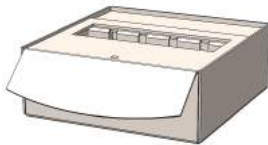
1_pcs.. Dome



1_pcs.. Floor bracket



1_pcs. Burner



1_pcs. Connection pipe



2_pcs. Allen screws M10x30



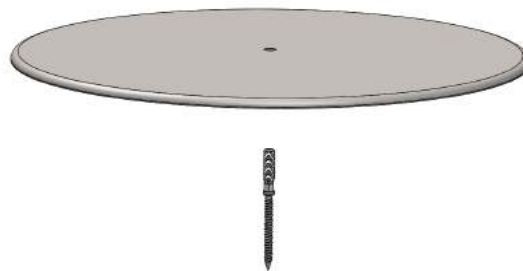
Assembly instructions Feed



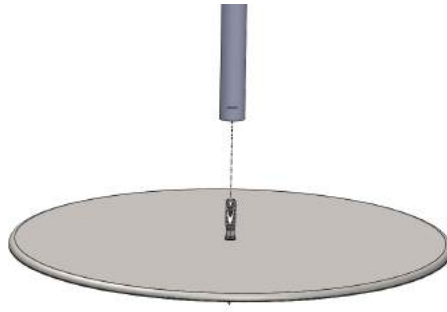
Total height 120 cm.

WARNING!! The oven must have a distance of minimum 15 cm to combustible material to the sides and back. The front needs a distance of minimum 50 cm, because of the radiant heat from the opening in the front

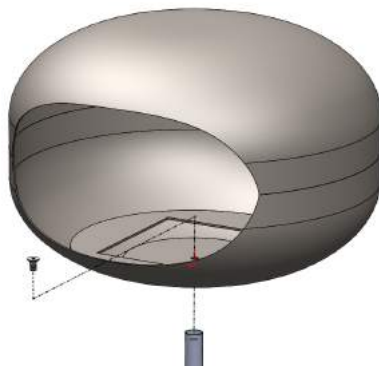
1. The foot-plate to be placed on the floor with the screw through the hole.



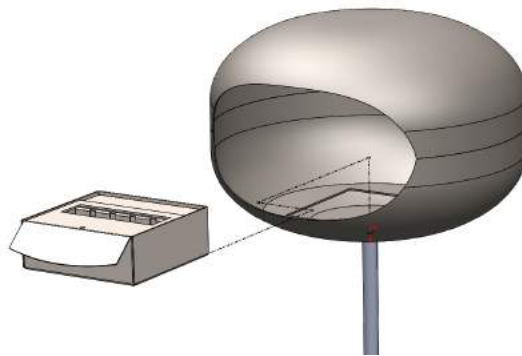
2. Mount the connection pipe to the special designed screw.



3. Mount the dome on the connection pipe using the M10x30 Allen screw.



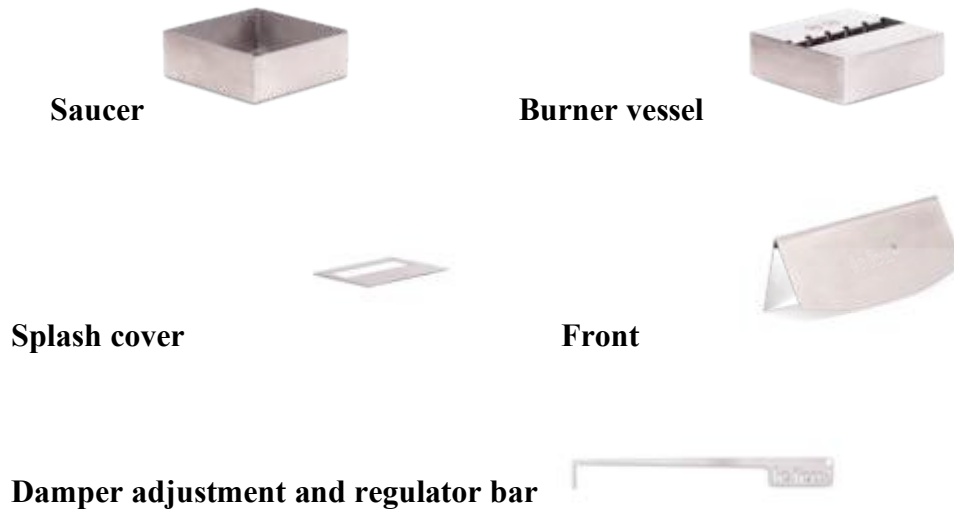
4. Place the burner.



6. Before lightening secure that all is tighten and the oven is stabile

P.S. In countries where attachment to the floor is not required, use the extra M10x30 Allen screw to connect the floor plate and the pipe.

Mounting the Burner



The burner consists of five parts: Burner vessel, splash cover, a damper adjustment and a damper regulator bar.

4. The burner vessel is placed in the saucer. The two caution logos is to be in the back.
5. The front plate is pushed down in the front between the burner vessel and the saucer. Logo facing forward.
6. The splash cover is placed on top of the burner vessel, have the widest end in the front, so that it easily can slide forward and back to regulate the opening in the damper using the damper adjustment regulator bar.

The burner is to be placed and mounted in the rectangular hole provided in the fireplace, after the wood legs, steel stand or the fireplace has been suspended from the ceiling. The damper should face the opening in the fireplace.

Caution: The three models must be placed a safe distance with of no less than 15 cm away from all nonflammable materials. Due to the heat emanating from the fireplace it must be placed a minimum of 1 m from all flammable material.

In addition, is it recommended to place the fireplace in a location of at least 50 cm distance from electronic equipment, since the heat from the oven have a negative effect.

ENGLISH USER MANUAL

Risk assessment, instruction and user manual for bio fireplace Le Feu, model Sky, Ground Steel and Ground Wood.

Before using the bio fireplace, the risk assessment, assembly instructions and instructions for use is to be read carefully.

Risk assessment:

- Failure to fit the fireplace in accordance to the instruction and rules complying with the prescribed distances to walls, floor, ceiling, furniture and combustible materials may cause fire and injury.
- To avoid the fireplace tipping over or falling down which may cause fire or personal injury to occur fitting must be made in accordance with the assembly instructions provided
- In order to avoid damage the fireplace should not stand too close to electrical appliances and electrical installations
- If the burner is over filled and ignited an explosion can happen with fire and personal injury as a result.
- Caution: If bio-ethanol is added, while the burner is switched on, there will be an explosion and personal injury will occur as a result.
- If the burner is filled before it is cold the bio-ethanol can cause an explosion and personal injury will occur as a result.
- Caution that if you have spilled ethanol on the hands, clothes or other body parts, it can ignite resulting serious burns.
- It is recommended the burner be ignited using a gas lighter and not matches as the wood stalk on a match is too short risking the hand being too close to the flame or fuel which can cause injury.
- If the burner is regulated without the supplied damper rod can there be injury.
- If you touch any part of the cover, shroud or burner after it is switched on personal injury can occur.
- If the fireplace is not kept under the supervision of an adult and children and pets come too close to the fireplace and it can result in combustion and fire if the fireplace overturns.
- If the fireplace is used in small and non-ventilated spaces there is a danger of carbon monoxide poisoning with at worst, death as a result.
- If you use non-approved (recommended high quality 96.6% proof) bio-ethanol or other types of combustible liquids, there is danger of explosion, fire and personal injury.

- If an accident occurs and a fire situation is aggravated and a fire extinguisher is not available, use a water sprayer with an atomized spray. DO NOT pour water that is not in an atomizer form, pouring water on burning bio-ethanol may worsen the situation.
- Take care when handling Bioethanol fuel as it can discolor

Approvals: Le Feu fireplaces complies with the European Standard 166472015

Instructions for user

Before filling of bio-ethanol and lighting the fireplace, the risk assessment must be read and assembly according to instructions followed.

ETHANOL LIQUID AND VAPOUR IS HIGHLY FLAMMABLE

- Filling and turning on the fireplaces should only be carried out by an adult person.
- Use only approved bio-ethanol.
- Always check that the burner is cold before you load bio-ethanol.
- Top up with bio-ethanol with a little measuring cup when the burner stands on his seat and the damper is fully open, if using a cloth or paper towel to wipe up spills, dispose the cloth or paper towel before lighting the fireplace.
- Fill or top up with no more bio-ethanol than you want to burn at firing, max. 1.5 litre.
- Burning time of 1 litre with the damper fully open is approx. 2-3 hours.
- Light only the burner with a long lighter or a fire stick.
- Make sure the room is ventilated before lighting the fireplace.
- Always have a fire extinguisher or an atomizer with water nearby, in case of an accident occurring.
- It may take up to half an hour before the flame will have an orange glow.
- The damper adjustment must be done only with the damper regulator bar.
- Turn off the burner by closing the air damper.
- **It is extremely dangerous to fill or top up with bio-ethanol on a hot burner, therefore wait at least a half an hour with the damper fully closed before filling again.**



- The person in charge of the fireplace has the responsibility to instruct other persons in the use of the fireplace and understands the safety guidelines detailed in these instructions.
- Keep this document and do not discard. Ensure it is always available as a reference.
- Ethanol should NEVER be used by persons under the age of 18
- Adhere to all instructions provided by the manufacturers of ethanol products
- It is recommended to wear eye protection at all times when using ethanol
- **ALWAYS** wash hands after handling and using ethanol products and equipment
- Keep ethanol products at room temperature and out of direct sun light.

ETHANOL CAUSES SERIOUS IRRITATION WITH CONTACT TO EYES

In the event of getting ethanol in your eyes:

- For several minutes, rinse with water carefully
- If you are wearing contact lenses, remove them if easy to do so
- Continue regular rinsing with water
- If irritation is still present, proceed to get medical attention and advice

Cleaning & maintenance

- In order to keep your fireplace clean and attractive you can periodically clean the dome inside
- This is done easily with a damp cloth, to remove any burn marks or similar. **Only clean when the fireplace and burner is completely cooled.**
- The fireplace is painted with powder coating. Any scratches that may occur to the dome, we recommend is painted with the same paint product as it is a special paint resistant to the high heat.
- The burner vessel and splash cover can be polished once a year. This is done by applying a sponge which is moved along the joints in the metal in order to avoid scratches.

Specification

SKY

Total weight 21,2 kg. (Dome, burner, tube, ceiling mount plate). Height from the ceiling 175 cm with the standard tube of 140 cm.

The dome is Ø 500 x 350 mm. Made of 2,3 mm cold rolled iron plate 520 x 350 mm. Round base plate in 5 mm mounted on the chosen model and an iron plate that reinforces and gives strength to the suspension of the fireplace. Painted with heat resistant powder lacquer covering. Weight 14,3 kg.

The burner inside the dome is made of 2 mm SS 304 brushed stainless steel plate measures 200 x 200 x 75 mm. Front logo plate made of 1,4 mm SS304 brushed stainless steel and the splash cover for regulating the fire is made of 3 mm SS304 brushed stainless steel plate. Weight 4,8 kg.

The ceiling mounting kit consists of 2 parts. A 25 mm brushed stainless steel tube with an internal thread bracket with M10 bolt for mounting on the ceiling plate made of 5 mm brushed stainless plate.

GROUND – Steel

Total weight 28,8 kg. (dome, burner, tube and baseplate).

The dome is Ø 500 x 350 mm. Made of 2,3 mm cold rolled iron plate 520 x 350 mm. Round base plate in 5 mm mounted on the chosen model and an iron plate that reinforces and gives strength to the suspension of the fireplace. Painted with heat resistant powder lacquer covering. Weight 14,3 kg.

The burner inside the dome is made of 2 mm SS 304 brushed stainless steel plate measures 200 x 200 x 75 mm. Front logo plate made of 1,4 mm SS304 brushed stainless steel and the splash cover for regulating the fire is made of 3 mm SS304 brushed stainless steel plate. Weight 4,8 kg.

Baseplate Ø 450 x 5 mm cold rolled steel plate powder lacquered or in brushed stainless steel and a 25 mm x 800 mm stainless steel tube with one outside M10 bolt and one inside threads for the M10 bolt.

GROUND - Wood

Total weight 21,5 kg (dome, burner, securing bracket and wooden legs).

The dome is Ø 500 x 350 mm. Made of 2,3 mm cold rolled iron plate 520 x 350 mm. Round base plate in 5 mm mounted on the chosen model and an iron plate that reinforces and gives strength to the suspension of the fireplace. Painted with heat resistant powder lacquer covering. Weight 14,3 kg.

The burner inside the dome is made of 2 mm SS 304 brushed stainless steel plate measures 200 x 200 x 75 mm. Front logo plate made of 1,4 mm SS304 brushed stainless steel and the splash cover for regulating the fire is made of 3 mm SS304 brushed stainless steel plate. Weight 4,8 kg.

The securing bracket is made up of 1,5 mm round plate in SS 304 stainless steel, with 3 tubes in 3 mm for the wooden legs.

GROUND

The dome is Ø 500 x 350 mm. Made of 2,3 mm cold rolled iron plate and with iron plate that reinforces and gives strength to the suspension of the fireplace. Painted with heat resistant powder lacquer covering.

The burner inside the dome is made of 2 mm SS 304 brushed stainless steel plate measures 200 x 200 x 75 mm. Front logo plate made of 1,4 mm SS304 brushed stainless steel and the splash cover for regulating the fire is made of 3 mm SS304 brushed stainless steel plate. Weight 4,8 kg.

Warranty conditions

The manufacturer provides warranty for the product, with the exception of the following parts, subject to normal wear and tear, in 2 (two) years from the date of purchase, as evidenced by:

- Document (invoice and/or receipt), of which the seller's name and the date of the sale shows.

For the guarantee to be valid, the installation must be done according to the assembly instructions. It is recommended to perform the function and weight test of the product before it is taken into use. Installations, which do not comply with the applicable regulations, will result in voiding the guarantee. Unintended use and lack of maintenance according to the manufacturer's recommendations will invalidate the warranty

The warranty is valid on condition that the instructions and warnings in the instruction and maintenance manual accompanying the fireplace is complied with in such a way that it is used in the most correct way.

Replacement of the entire fireplace, or repairs do not extend the warranty period.

The guarantee covers free replacement or repair of parts found defective due to manufacturing defects.

In an unlikely event of a defect and to invoke a warranty claim, the purchaser must provide the warranty card and show the place of purchase together with the sales receipt or documentation issued at the time of purchase.

All defects and/or damage to the fireplace, which is due to the following reasons, are excluded from this warranty:

- Damage that occurs in connection with shipping and/or handling.
- Any part which is defective due to negligent or careless use, improper maintenance, installation, which is not in compliance with the manufacturer's instructions (always consult your installation and user manual supplied with the fireplace).
- Incorrect sizing compared to the use or installation errors, for example, failure to implement the necessary measures to perform the installation according to the manual.
- Inappropriate overheating of the product, like the use of fuels that do not conform to the types and quantities as specified in the supplied manual.
- Further damage caused by erroneous action by the user to correct the original error.
- Aggravation of the damage caused by the user's continued use of the fireplace after the defect has occurred.
- Due to modification of the fireplace, weather conditions, natural disasters, vandalism, lightning, fire.
- Lack of cleaning.

The following are also excluded from this warranty:

- Parts which are exposed to General wear and tear.
- Color variations on the varnished parts.
- The manufacturer disclaims all liability for any direct or indirect damage to people, animals or objects caused by infringement of the requirements in the instructions for use, in particular, the instructions relating to installation, use and maintenance of the fireplace.