



Build With Purpose

P-6IV Heavy Duty Irrigation Supply Valve

Find us in

MasterSpec

a product of The American Institute of Architects



- Freezeless
- Residential / Commercial
- Elbow Swivels
- 3/4" or 1" Outlet Connection

The PRIER P-6IV provides an irrigation supply for your sprinkler system in areas subject to freezing temperatures. The valve is installed from the exterior of the structure with the supply piping and shutoff through the structure to the heated portion, eliminating the possibility of freezing. To assure freeze protection year round this hydrant must be winterized by closing the valve and opening the 1/4" NPT drain plug which can also be used to blowout the downstream irrigation system. Having the valve on the exterior of the structure enables a professional to winterize your system without the need to come inside or the owner to be present.

This heavy duty hydrant has a high flow rate. A removable operating key is provided to prevent unauthorized tampering. No special installation tools are required.

FEATURES

- Built in elbow which allows for easy installation and reduced fittings
- Elbow orientable in any direction for use with atmospheric vacuum breaker or backflow preventer depending on local requirements for sprinkler or irrigation system
- 1/4" NPT port in elbow for easy sprinkler or irrigation system winterization and air blowout
- Outlet connections: Either 1" MPT male or 3/4" MPT male for permanent connection to sprinkler or irrigation system
- Inlet connections: 1" MPT male x 3/4" FPT female inlet connection
- Heavy pattern cast brass hydrant with satin nickel-plated body provides an attractive corrosion resistant finish
- Horizontal or vertical installation (mounting template included)
- Patented PRIER "triple seal" positive shutoff system offers triple redundancy to assure shutoff
- Key operation for tamper-proofing of sprinkler or irrigation system supply
- Solderless non-ferrous stem design for long wear life
- Design enables valve to be easily secured to any type of inner wall, utilizing the provided clamping ring

ORDERING

Wall Hydrant Only

P-6IVN10

Inlet

N- 1" MPT x 3/4" FPT

Length

CC- Close Coupled

04- 4" Insertion

06- 6" Insertion

08- 8" Insertion

10- 10" Insertion

12- 12" Insertion

14- 14" Insertion

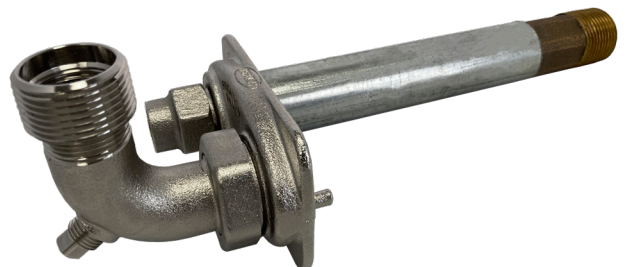
16- 16" Insertion

18- 18" Insertion

20- 20" Insertion

22- 22" Insertion

24- 24" Insertion



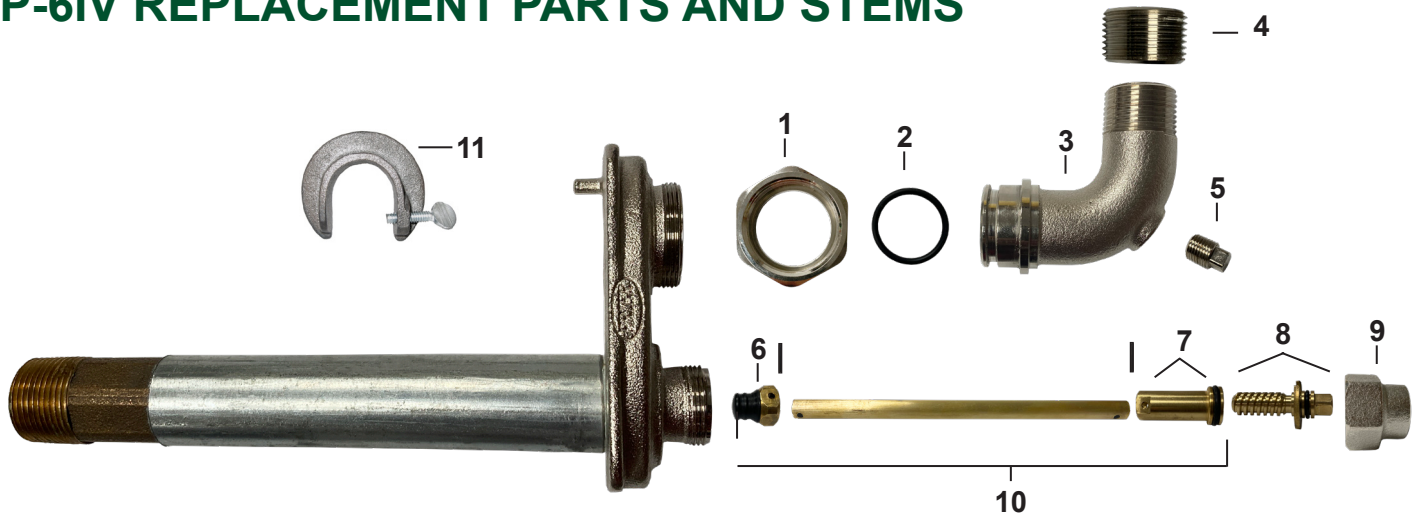
4515 E. 139th Street Grandview, MO 64030 | (800) 362-9055 | PRIER.com

P-6IV-A



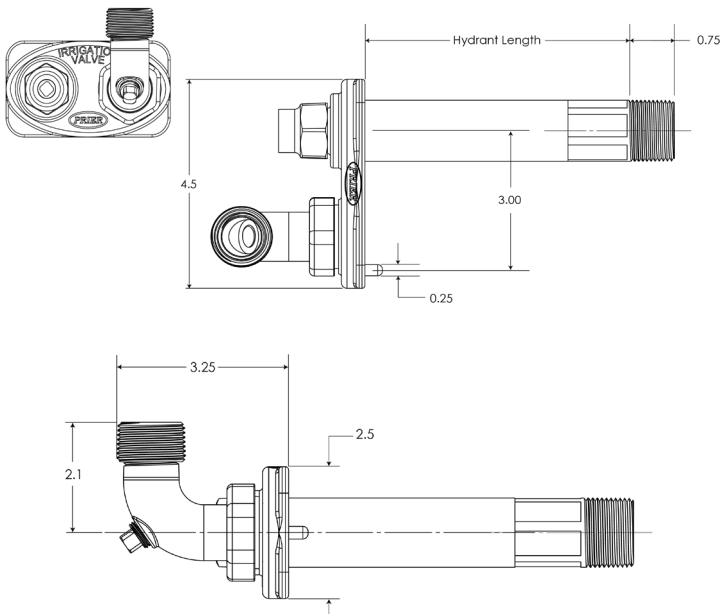
Build With Purpose

P-6IV REPLACEMENT PARTS AND STEMS



ID	Part No.	Description	ID	Part No.	Description
1	310-0091	Nut (Drain Elbow)		P-231-0906	Stem for 6" P-6IV Hydrant, 6.7" OAL
2	336-0033	O-Ring		P-231-0908	Stem for 8" P-6IV Hydrant, 8.7" OAL
3	300-0058	Cast Brass Drain Elbow		P-231-0910	Stem for 10" P-6IV Hydrant, 10.7" OAL
4	310-0094	Bushing 3/4" x 1" Adapter		P-231-0912	Stem for 12" P-6IV Hydrant, 12.7" OAL
5	310-0093	1/4" NPT Plug		P-231-0914	Stem for 14" P-6IV Hydrant, 14.7" OAL
6	C-634KT-802	Stopper Kit		P-231-0916	Stem for 16" P-6IV Hydrant, 16.7" OAL
7	C-634KT-808	Worm Sleeve with O-Ring		P-231-0918	Stem for 18" P-6IV Hydrant, 18.7" OAL
8	C-634KT-809	Worm Drive Assembly with O-Ring		P-231-0920	Stem for 20" P-6IV Hydrant, 20.7" OAL
9	300-6003	Valve Stem Cap		P-231-0922	Stem for 22" P-6IV Hydrant, 22.7" OAL
10	See Below	Stem Assembly, Contains: 6, 7		P-231-0924	Stem for 24" P-6IV Hydrant, 24.7" OAL
	P-231-0904	Stem for 4" P-6IV Hydrant, 4.7" OAL	11	C-634WCR	Wall Clamping Ring

ROUGH-IN DIMENSIONS



INSTALLATION EXAMPLES

