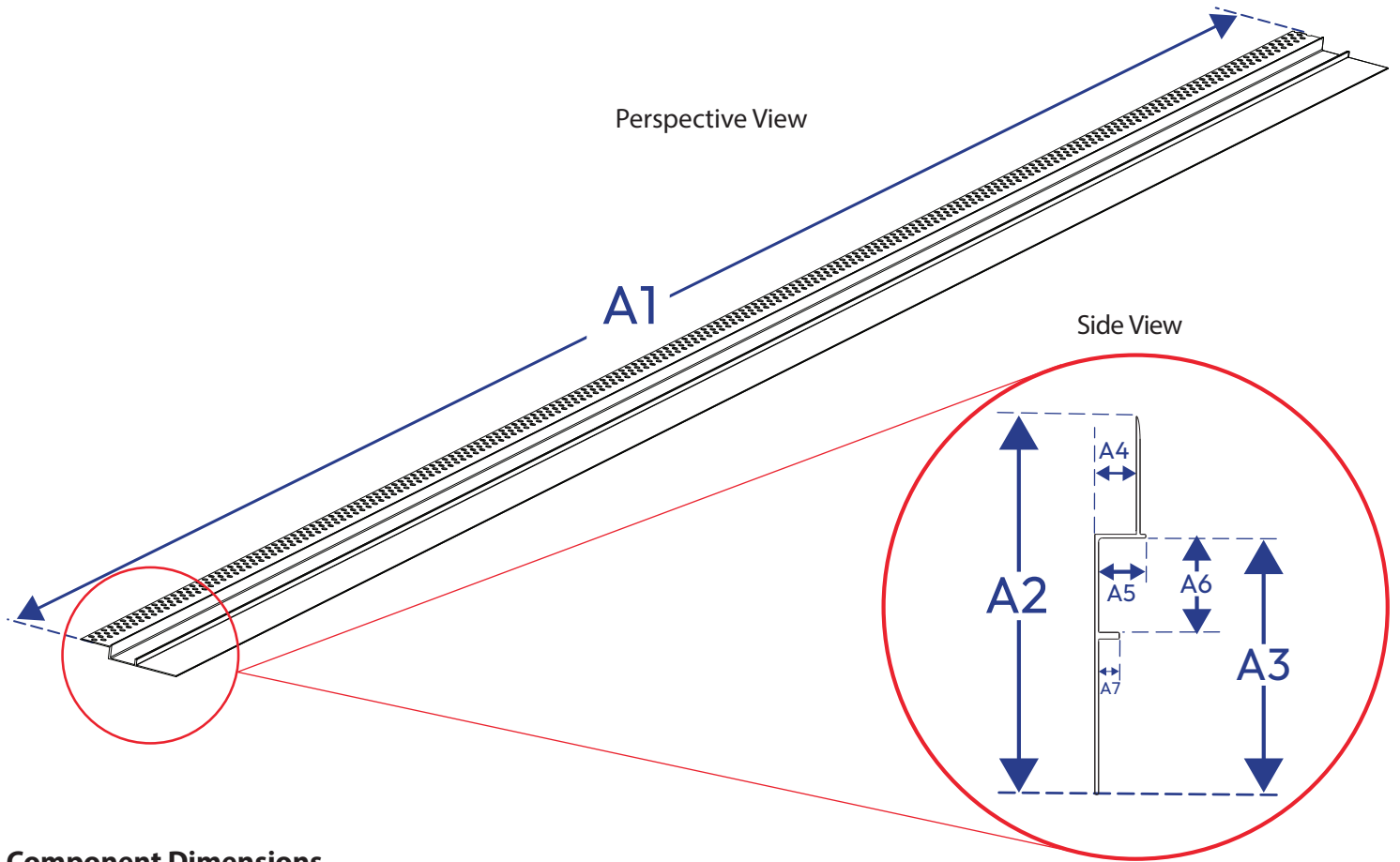


Flush Trim Mount [Lite]

Specification Sheet



Component Dimensions

Size & Colour	94.5"X4"
Satin White	✓

	Inches	MM
A1	94 1/2"	2400 mm
A2	4 1/16"	103 mm
A3	2 3/4"	70 mm
A4	1/2"	13 mm
A5	9/16"	14 mm
A6	1"	25 mm
A7	7/32"	6 mm

Components

Body: Made from extruded ABS plastic. Features a beaded flange for seamless, mud-in installation. Pre-cut into 94.5" (2400mm) lengths. Easily cut into smaller peices for custom lengths.