

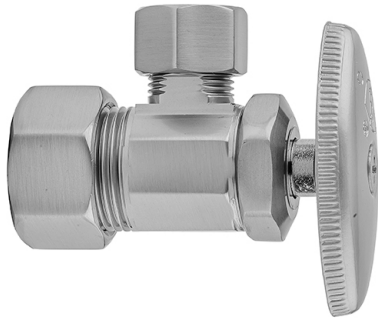
Multi Turn Angle Pattern 5/8" O.D. Compression (Fits 1/2" Copper) x 3/8" O.D. Supply Valve with Oval Handle



Model #: 5812-

FEATURES:

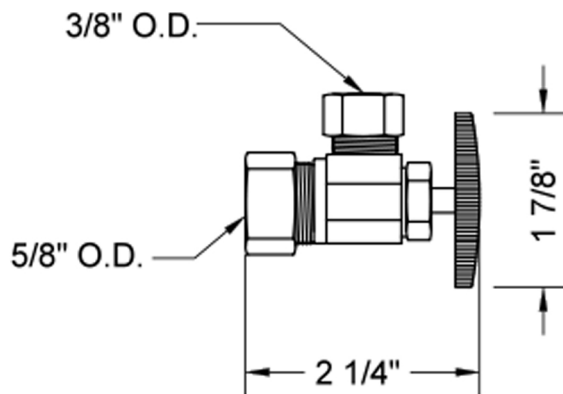
- Angle pattern O.D. compression fit x 3/8" O.D. multi turn style valve
- 5/8" O.D. compression inlet x 3/8" O.D. outlet
- 5/8" O.D. compression fits 1/2" copper tubing
- All brass body and stem



AVAILABLE FINISHES:

Polished Chrome (PCH)	Satin Chrome (SC)	Satin Nickel (SN)
Polished Nickel (PN)	Antique Brass (AB)	Oil-Rubbed Bronze (ORB)
Polished Brass (PB)	Vintage Bronze (VB)	

SPECIFICATION DRAWING:



AVAILABLE HANDLES:



COMPLIANCES:

Complies with: ASME A112.18.1-2012/CSA B125.1-12