

Sanimarin® Maxlite+ ELECTRIC MARINE MACERATING PLASTIC TOILET

Part # 065 (12 V) - Part # 067 (24 V)



TECHNICAL SPECIFICATIONS

Voltage/Amperage/Power:

12V, 25A, 300W / 24V, 15A, 360W

Discharge:

10 Ft vertically / 100 Ft horizontally

Discharge pipe diameter:

1" or 1-1/2" (built-in check valve)

Water consumption:

Depends on user

Electrical consumption:

12V: 0.007 Ah/s

24V: 0.004 Ah/s

Description:

Plastic marine macerating toilet with built-in self-priming sea water pump.

Weight:

18 Lbs



FEATURES

- **Low profile automatic** macerating plastic toilet system.
- Modern and **lightweight design** with contemporary finish and **quiet operation**.
- **Provided with soft-close toilet seat** and mounting hardware.
- **Equipped** with self priming sea **water pump**.
- Equipped with powerful **stainless steel macerating blade**.
- Provided with **rocker switch** that provides the user full flushing control.

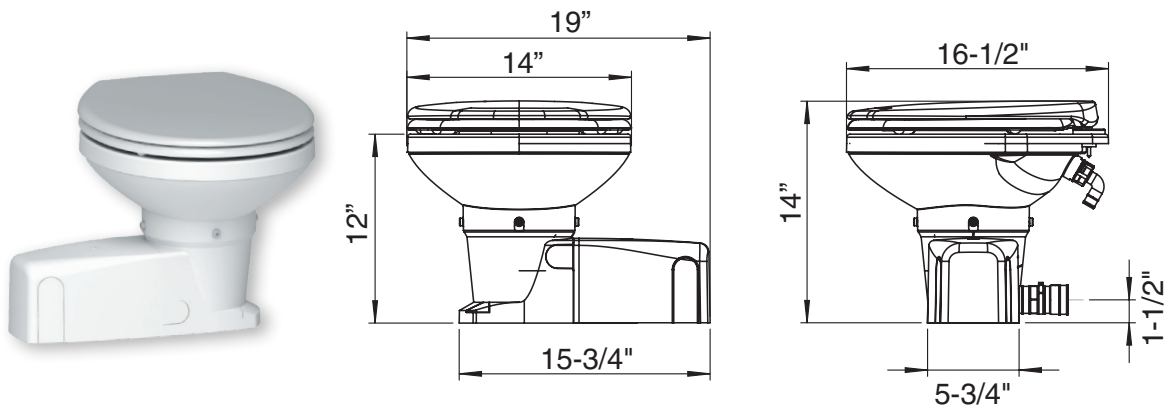
US 800-571-8191
CDN 800-363-5874

Saniflo  SFA GROUP



sanimarin.com

DIMENSIONS



CONTROL SYSTEM



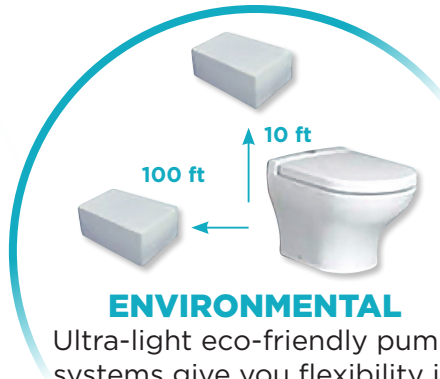
- Add Water: Press to add water before flushing. Press at the end of the cycle to refill trap.
- Pump Out: Press to turn on pump/macerator for complete flushing and discharge..

BENEFITS



SIMPLICITY

Easily replaces old hand pump toilets. Reversible motor/pump unit for right or left hand installations.



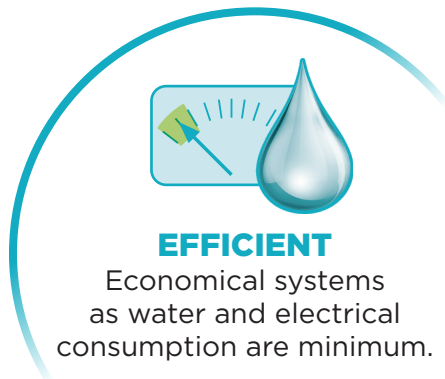
ENVIRONMENTAL

Ultra-light eco-friendly pump systems give you flexibility in your installation as the toilet and black water tank can be several feet away.



SILENT

One of the quietest electric toilets on the market.



EFFICIENT

Economical systems as water and electrical consumption are minimum.



SOLIDLY BUILT

Excellent macerating system patented more than 60 years ago for worldwide use.