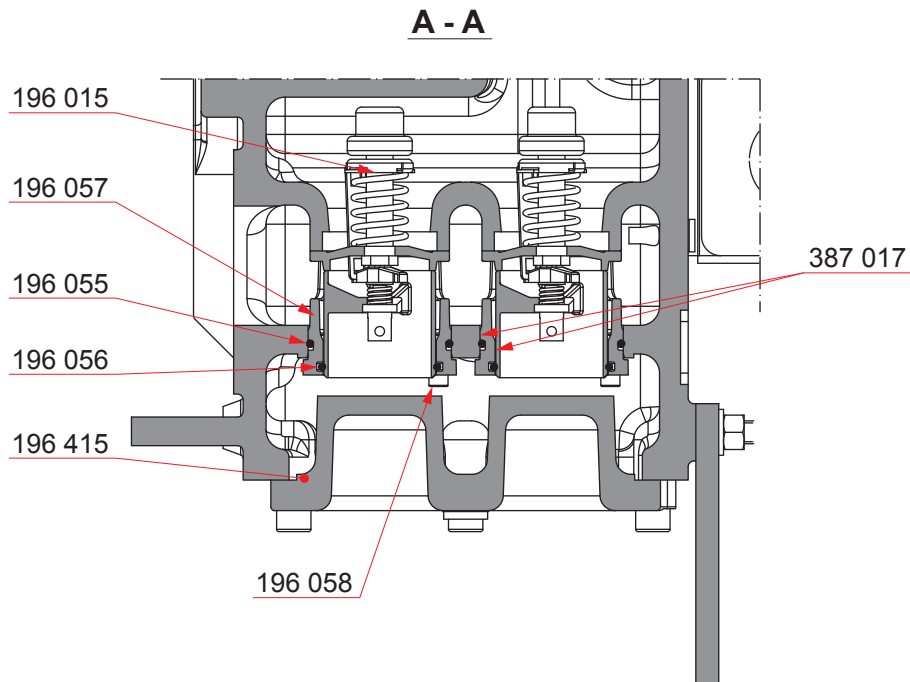


# Thermostatic valve for HT water



Part No.	Description	Qty	Weight [kg]
196 015	Thermostatic element	2	0.7
196 055	O-ring	2	-
196 056	O-ring	2	-
196 057	Holder	2	0.5
196 058	Screw	4	-
196 415	Front cover	1	3.7
387 017	Threadlocker	1	-