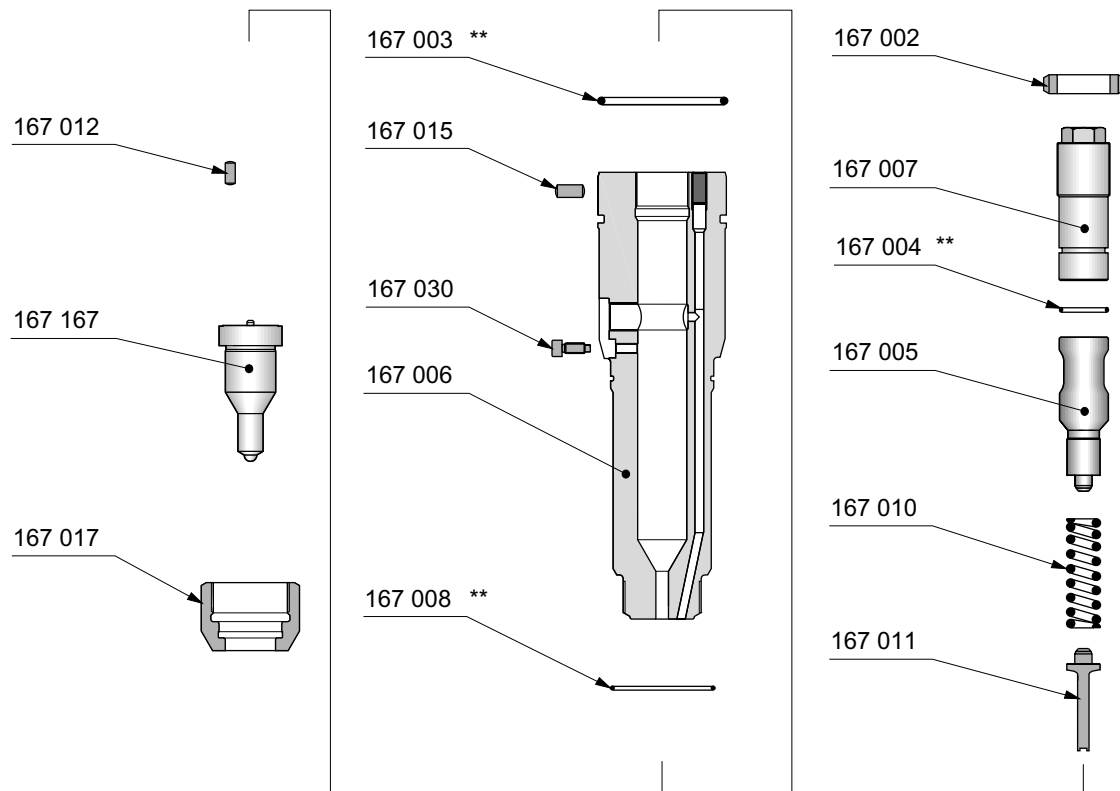


Part No.	Description	Qty pcs	wt. kg	Part No.	Description	Qty pcs	wt. kg
167 001	Injection valve, compl.	1	16.5				
167 016	Nozzle holder, compl.	1	-				
167 002	Nut	1	0.1				
167 004	O-ring **	1	-				
167 005	Spring guide	1	0.7				
167 006	Housing	1	13.0				
167 012	Dowel pin	1	-				
167 007	Adjusting screw	1	1.1				
167 010	Spring	1	0.2				
167 011	Push rod	1	-				
167 015	Dowel pin	1	-				
167 017	Nozzle nut	1	0.7				
167 030	Guiding screw	1	-				
167 167	Nozzle	1	0.8				
167 003	O-ring **	1	-				
167 008	O-ring **	1	-				

Note **) See sealing set for injection valve



Part No.	Description	Qty pcs	wt. kg	Part No.	Description	Qty pcs	wt. kg
167 002	Nut	1	0.1				
167 004	O-ring **	1	-				
167 005	Spring guide	1	0.7				
167 006	Housing	1	13.0				
167 012	Dowel pin	1	-				
167 007	Adjusting screw	1	1.1				
167 010	Spring	1	0.2				
167 011	Push rod	1	-				
167 015	Dowel pin	1	-				
167 017	Nozzle nut	1	0.7				
167 030	Guiding screw	1	-				
167 167	Nozzle	1	0.8				
167 003	O-ring **	1	-				
167 008	O-ring **	1	-				

Note **) See sealing set for injection valve