

Subject to change without prior notice TPS5389 REV.D 08.01.2021



Luminaires designed and manufactured by Tranberg are intended for use in rough environments, and to meet applicable international standards. The new LED floodlight TEF 9971 by Tranberg sets a new standard in the industry as it has a wider operating temperature range, along with several new features.

The LED light source provides a hugely longer lifetime expectancy than xenon light bulbs, while the special designed optics ensure an ideal coverage of the helideck surface without giving glare to pilots in the critical landing process. As an option, a dimming functionality may be installed, which reduces light output to 50% when and if required. The operating voltage span is wide, and absorbs voltage variances and spikes without resulting in flickering or changes in light output.

Helideck equipment manufactured by Tranberg is delivered to off-shore installations, oil tankers and supply ships, hotels and hospitals landing areas all over the world.

APPLICATION

- Floodlight for helideck landing areas
- Floodlighting

FEATURES AND BENEFITS

- Rugged and low profile floodlight made from marine proofed aluminum
- Simple to install and maintain
- Light module is maintenance free
- Proven ingress protection
- Resistant to vibrations
- Complies with: ICAO Annex 14 Vol. II; NORSOK C-004 2013

TECHNICAL DATA

Housing:	Marine grade aluminium, powder coated and anodized. Impact resistant safety glass.
Input voltage:	100-277 V \pm 10%, 47-63Hz
Light output:	3100 lm, 4000 K
Power consumption:	40W
Ingress protection:	IP 66. IP 67/67 without drain plug. (EN 60529)
Operation temperature:	-40°C to +55°C
Weight:	9 Kg
Mounting:	Four mounting holes \varnothing 12mm
Cable entries:	2 x M25 entries. Delivered with 2 x M25 cable glands, \varnothing 11-20.1mm.

TEF 9971 HELIDECK FLOODLIGHT LED

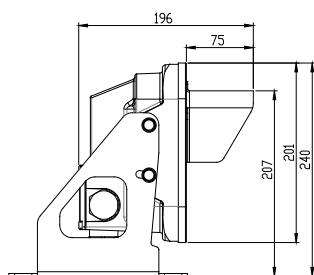
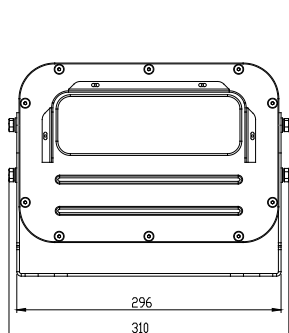
DESCRIPTION

	Part No.
TEF 9971 LED Helideck Floodlight, Wide beam	9971 100
TEF 9971 LED Helideck Floodlight, Medium beam	9971 200
TEF 9971 LED Helideck Floodlight, Spot beam	9971 300

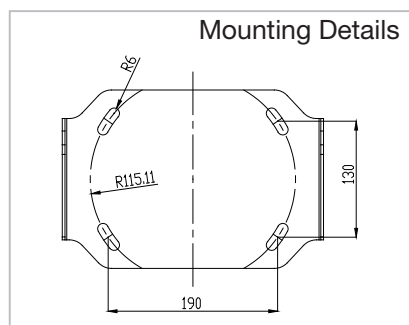
SPARE PARTS

	Part No.
Cable Gland Exe E204/M25/D1 Cable diameter 15,0 - 20,1	622 25 15
Cable Gland Exe E204/M25/D2 Cable diameter 11,0 - 15,0	622 25 25
Cable Gland Exe E204/M25/C1 Cable diameter 9,0 - 14,3	622 25 35
Anti-glare hood for floodlight	50500184
Screws for Anti-glare hood (4 pieces needed)	51010020
Cover for junction box (incl. gasket and screws)	5603
Terminal block, including mounting plate	5607
Drain Plug	7302101

DIMENSIONS



997A110266



997A108863

LIGHT DISTRIBUTION

