



TF-3B

MICROPOWER OMNIBUS® II FLASHER/LAMPCHANGER

TF-3B is a completely automatic solid-state flasher and six-place lampchanger for use in Tideland Signal marine signal lanterns. It is also compatible with most other manufacturers' lampchangers.

Characteristics

- **LAMPCHANGER** – A moisture protected stepper motor provides necessary torque to rotate a six-place lamp turret. This unit is suitable for lamps rated from 2 to 70 watts. An optional high temperature lamp turret is available when using lamps rated 70 to 110 watts. All contacts are gold-plated for corrosion resistance and long life.
- **PROGRAMMING MODES** – TF-3B provides 256 preprogrammed flash code characters that can be synchronised to flash in unison with other lights with the same flash code selected and synchronising terminals connected. In the event that one or more lights fail, remaining lights continue to flash in synchronisation. Tideland's optional SignalView allows for easy user programming from a laptop/PC or by optional radio remote controller.
- **REMOTE MONITOR AND CONTROL** – MicroPower OMNIBUS® II circuit allows for monitor and report status of the following via Tideland's NavLink® system: status of operating lamp, number of lamps remaining, battery voltage (loaded and unloaded), sunswitch, active flash code, alternate flash code, flash code setting, lamp fuse, solar voltage, lamp current and rotation period (if used in rotating beacon). Available control functions include: switch to alternate flash code, override sunswitch, recount good lamps, variable voltage to lamp (optional).





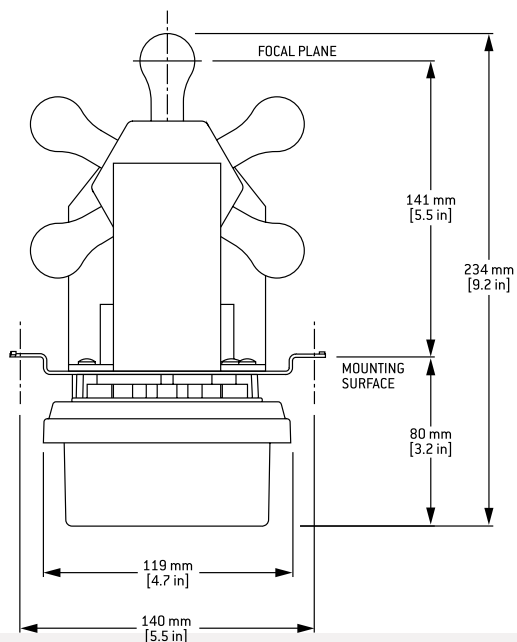
TF-3B

MICROPOWER OMNIBUS® II FLASHER/LAMPCHANGER

Technical Details

Input Voltage	9 to 36VDC
Quiescent Current	< 6mA
Lamp Power Regulation	± 2% over 12 to 36VDC and -40° C to +70° C
Power Output	
Standard	70W maximum
High Temperature	110W maximum
Current Monitor	± 10%
Flash Codes	Up to 256 codes, field selectable or via serial communication link
Synchronisation	ASCII serial sync, Positive pulse and Negative pulse
Monitor and Control	Capable
Lamps	Single-contact prefocused
Operating Temperature	-40° C to +70° C
Sunswitch Threshold	(Adjustable) 10 to 400 lux
Timing Accuracy	Within 1%
Real Time Clock Accuracy	± 1 minute/month at 25° C
Relative Humidity	5% to 100%, non-condensing
Lampchanger Motor Current	800 milliamperes
Contacts on Lampchanger	Rated 110W

NOTE: Specifications are subject to change.



Micropower Omnibus® II
Flasher/Lampchanger