

# 26-2300 Series

## Regulators - Relief / Backpressure

D26230694X012

### Specifications

For other materials or modifications, please consult TESCO M.

#### OPERATING PARAMETERS

Pressure rating per criteria of ANSI/ASME B31.3

**Maximum Inlet Pressure**

0-50, 0-150, 0-250 psig / 0-3.4, 0-10.3, 0-17.2 bar

**Design Proof Pressure**

150% maximum rated

**Leakage**

Bubble-tight

**Operating Temperature<sup>1</sup>**

-40°F to 165°F / -40°C to 74°C

**Flow Capacity**

$C_v = 0.60$

**Maximum Operating Torque**

25 in-lbs / 2.8 N•m

1. For extended temperatures from -40°F to 400°F / -40°C to 204°C, please consult TESCO M.

#### MEDIA CONTACT MATERIALS

**Body**

303 Stainless Steel, 316 Stainless Steel, or Aluminum 2024-T351

**Diaphragm**

Buna-N

**Main Valve Seat**

Teflon<sup>®</sup>

**O-Rings**

Buna-N

**Seals**

Teflon<sup>®</sup>

**Remaining Parts**

300 Series Stainless Steel

#### OTHER

**Cleaning**

CGA 4.1 and ASTM G93

**Weight**

**Stainless Model:** 2.25 lbs / 1.0 kg

**Aluminum Model:** 1.25 lbs / 0.6 kg

Teflon<sup>®</sup> is a registered trademark of E.I. du Pont de Nemours and Company.



TESCOM 26-2300 Series is a highly accurate, diaphragm sensed backpressure regulator. It controls pressures up to 500 psig / 34.5 bar and offers many  $C_v$ s from 0.02 up to 1.0. Air and dome loaded versions are available for remote operation or for use with the TESCO M ER5000 Electropneumatic Controller for automation.

### Applications

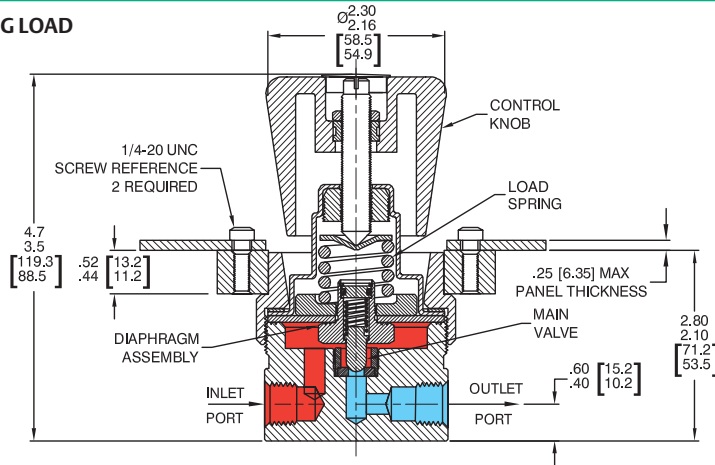
- Hydraulic or pneumatic testing
- Calibration
- Pump discharge pressure control

### Features and Benefits

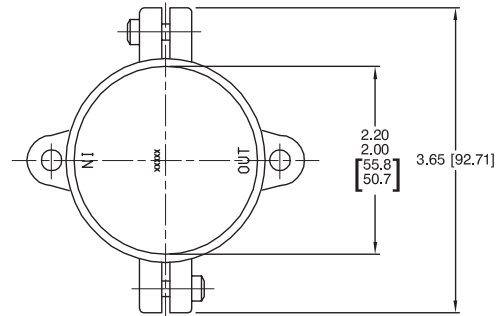
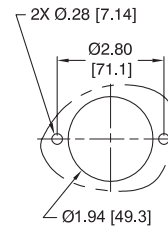
- Crack to reseal - 2% of set pressure
- Easily adjusted, low torque handknob control
- Bubble-tight shutoff at all reseal pressures
- Four flow capacities available:  
 $C_v = 0.60$  standard  
 $C_v = 0.06, 0.12, 1.0$  optional
- Spring, dome, and air loaded models are available
- Panel mounting is standard
- Compatible with TESCO M ER5000 Electropneumatic Controller

26-2300 Series Regulator Drawings

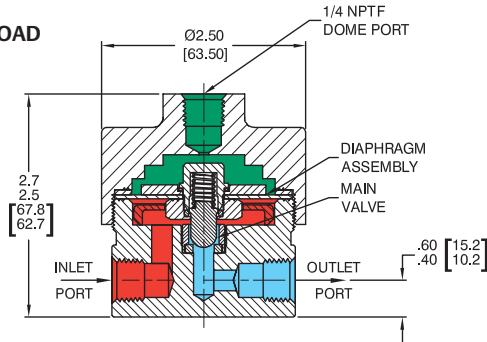
SPRING LOAD



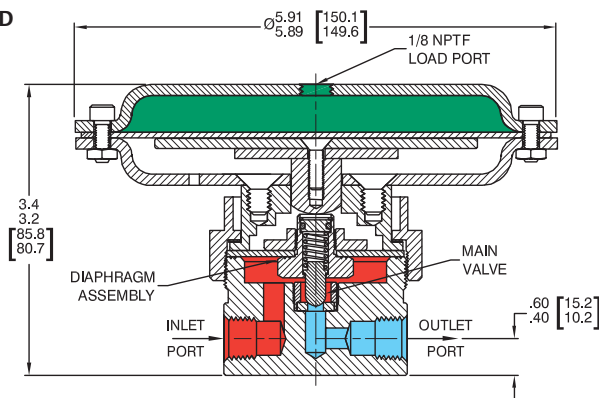
PANEL CUT-OUT



DOMESTIC LOAD



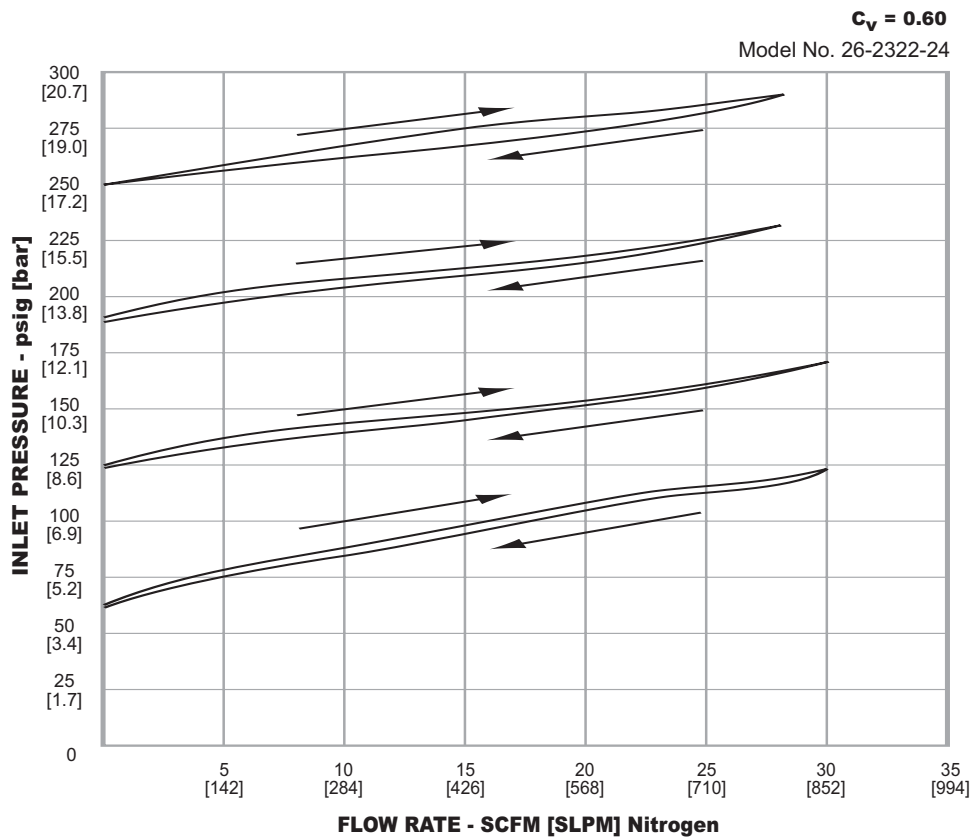
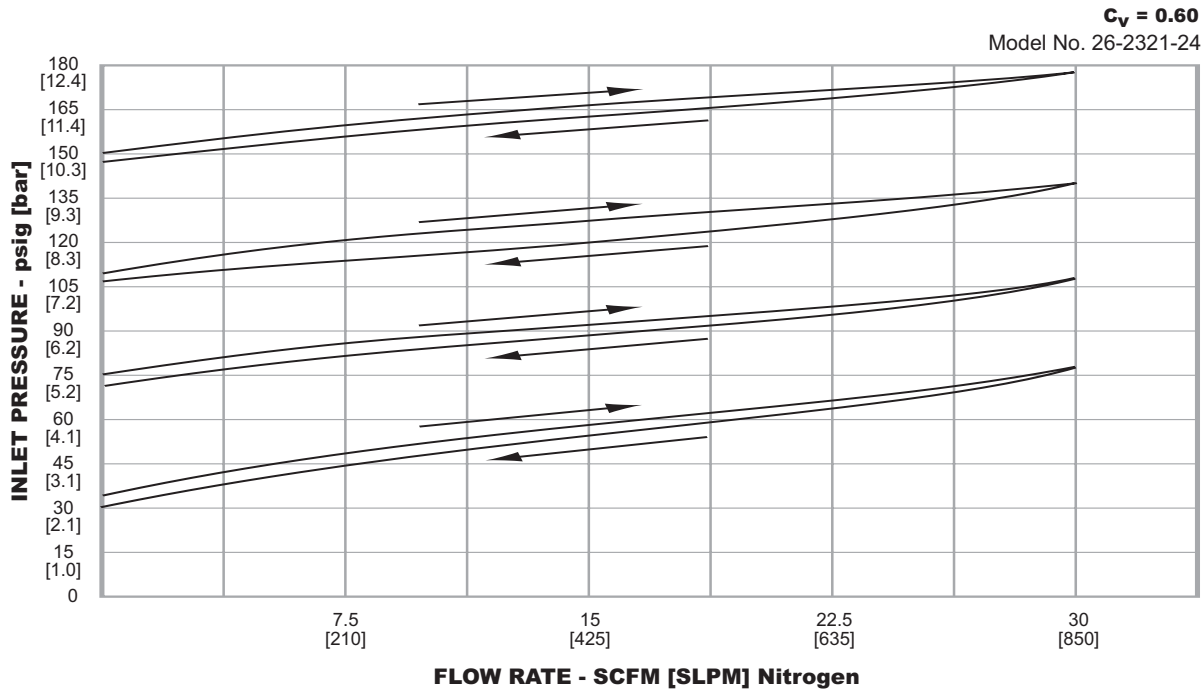
AIR LOAD



All dimensions are reference & nominal  
Metric [millimeter] equivalents are in brackets

## 26-2300 Series Regulator Flow Charts

For more information on how to read flow curves, please refer to the Flow Curves and Calculations document (debul2007x012) in the TESCOM catalog or on [www.tescom.com](http://www.tescom.com).



## 26-2300 Series Regulator Part Number Selector

Repair Kits, Accessories & Modifications may be available for this product. Please contact TESCOM for more information.

Example for selecting a part number:

| 26-23        | 2                       | 1                            | - | 2                          | 4                          |
|--------------|-------------------------|------------------------------|---|----------------------------|----------------------------|
| BASIC SERIES | BODY MATERIAL           | CONTROL PRESSURE RANGE       |   | INLET AND OUTLET PORT TYPE | INLET AND OUTLET PORT SIZE |
| 26-23        | 2 – 303 Stainless Steel | 0 – 0-50 psig<br>0-3.4 bar   |   | 1 – SAE                    | 4 – 1/4"                   |
|              | 3 – 2024-T351 Aluminum  | 1 – 0-150 psig<br>0-10.3 bar |   | 2 – NPTF                   | 6 – 3/8"                   |
|              | 6 – 316 Stainless Steel | 2 – 0-250 psig<br>0-17.2 bar |   | 3 – MS33649                | 8 – 1/2"                   |



**WARNING!** Do not attempt to select, install, use or maintain this product until you have read and fully understood the *TESCOM Safety, Installation and Operation Precautions*.