

Surge and Filter Specifications

Bulletin Numbers 4983-DC, 4983-DD, 4983-DC,4983-DH, 4983-DS, 4983-PF

Topic	Page
DIN Rail Heavy Duty AC Surge Protectors, 4983-DH	2
DIN Rail AC Power Surge Protective Device, 4983-DS	3
DIN Rail Dataline Surge Protective Device, 4983-DD	4
Panel Mount Filter 4983-PF	5
DIN Rail Combination Filter and Surge Protective Device 4983-DC	8

Additional Resources

These documents contain additional information concerning related products from Rockwell Automation.

Resource	Description
Industrial Automation Wiring and Grounding Guidelines, publication 1770-4.1	Provides general guidelines for installing a Rockwell Automation industrial system.
Product Certifications website, http://www.ab.com	Provides declarations of conformity, certificates, and other certification details.

You can view or download publications at <http://www.rockwellautomation.com/literature/>. To order paper copies of technical documentation, contact your local Allen-Bradley distributor or Rockwell Automation sales representative.

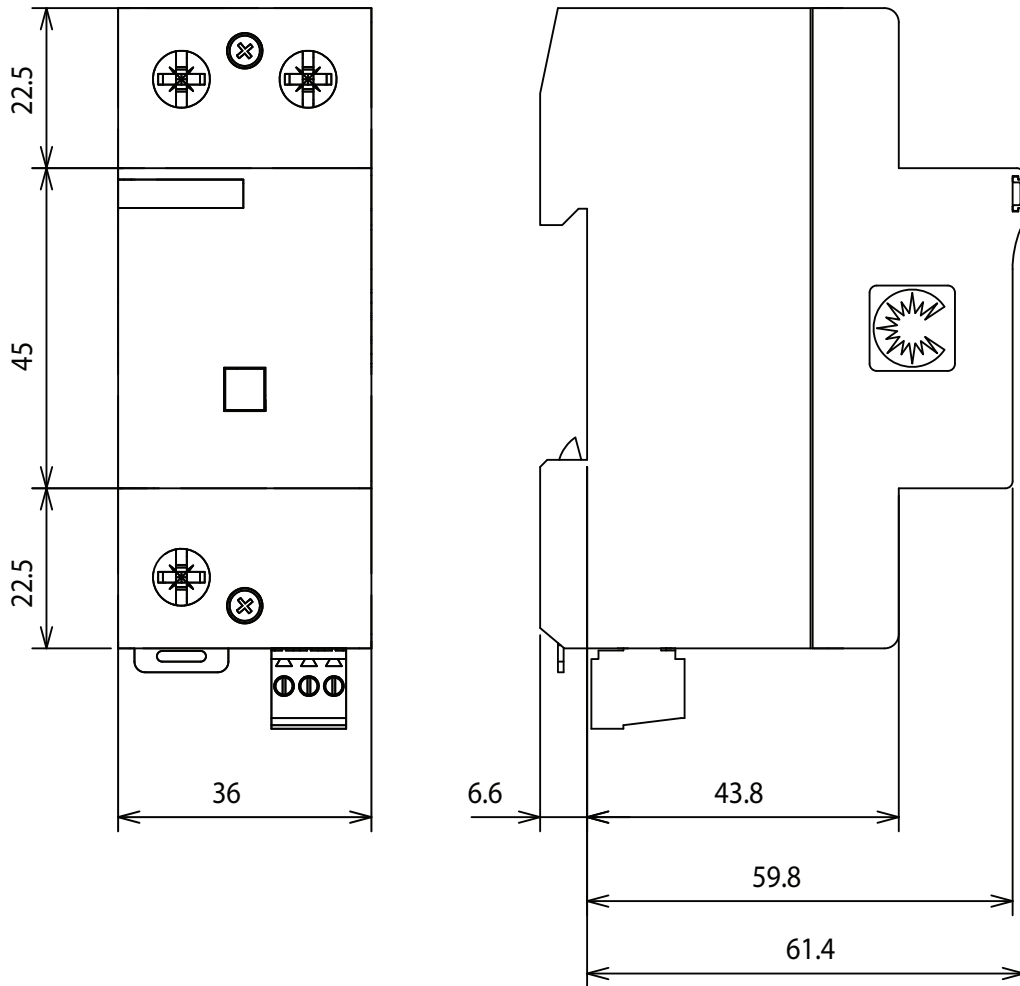


Specifications

Connection/Mounting Type	Parallel/DIN Rail mount
Standards Compliance	UL 1449, CSA C22.2, No. 8, IEC 61643-1, EN 61643-11
Certifications	URus recognized, CE marked, CSA
Conductor Material	Cu, solid or stranded
Conductor Range	#9...3 AWG (6...35 mm ²)
Strip Length	0.6 in. (16 mm)
Tightening Torque	31...35.4 lb•in. (3.5...4 N•m)
No. of Conductors/Terminal	1
Operating Temperature	-40...+80 °C

Approximate Dimensions

Note: Dimensions are shown in millimeters. Dimensions are not intended for manufacturing purposes.

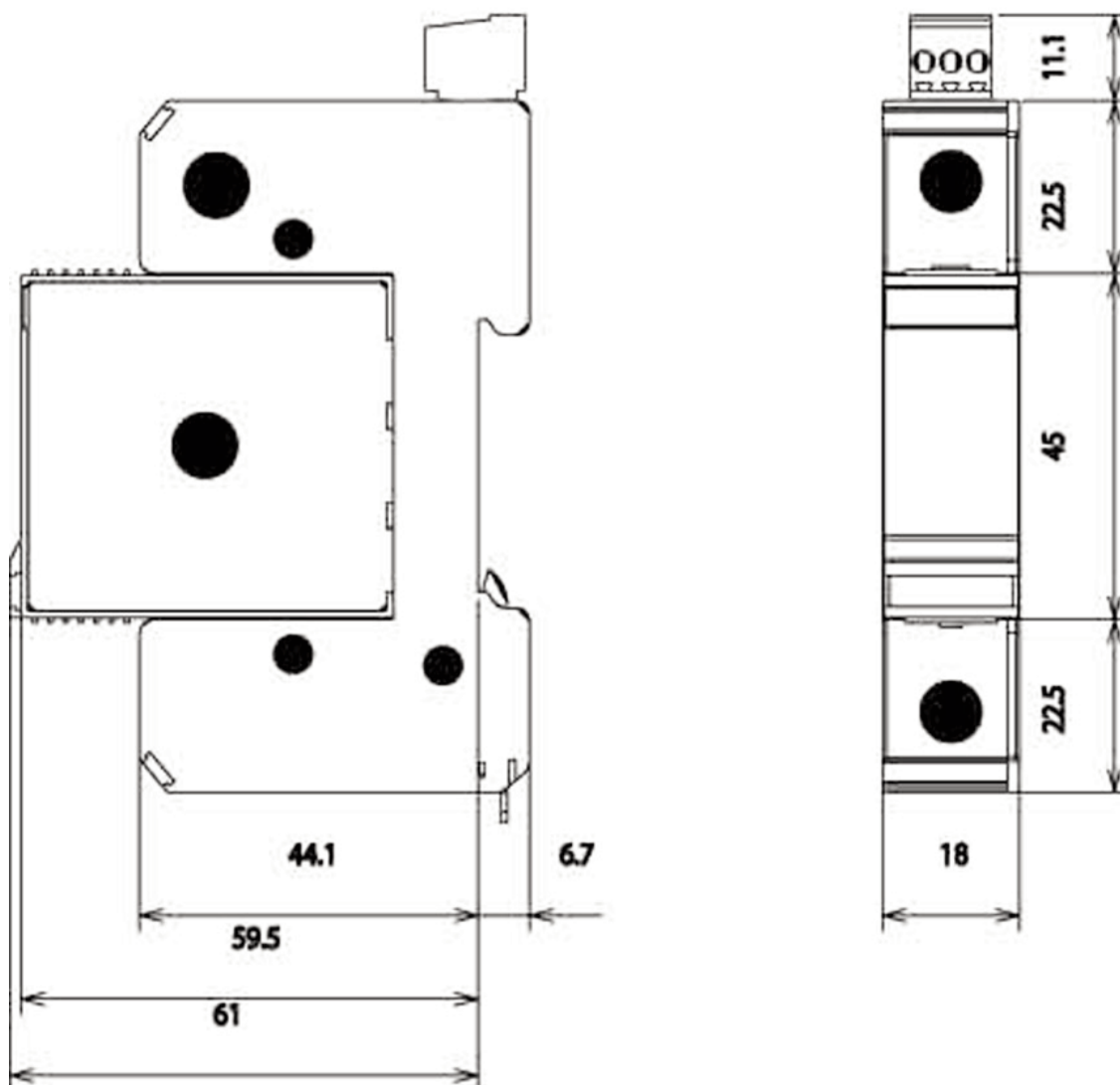


Specifications

Connection/Mounting Type	Parallel/DIN Rail mount
Standards Compliance	UL 1449, CSA 22.2 No.8, IEC 61643-1, EN 61643-11
Certifications	cURus, CSA, CE marked
Conductor Material	Cu, solid or stranded
Conductor Range	#13...4 AWG (2.5...25 mm ²)
Strip Length	0.5 in. (13 mm)
Tightening Torque	17.8...22.1 lb•in. (2.0...2.5 N•m)
No. of Conductors/Terminal	1
Operating Temperature	-40...+80 °C

Approximate Dimensions

Note: Dimensions are shown in millimeters. Dimensions are not intended for manufacturing purposes.

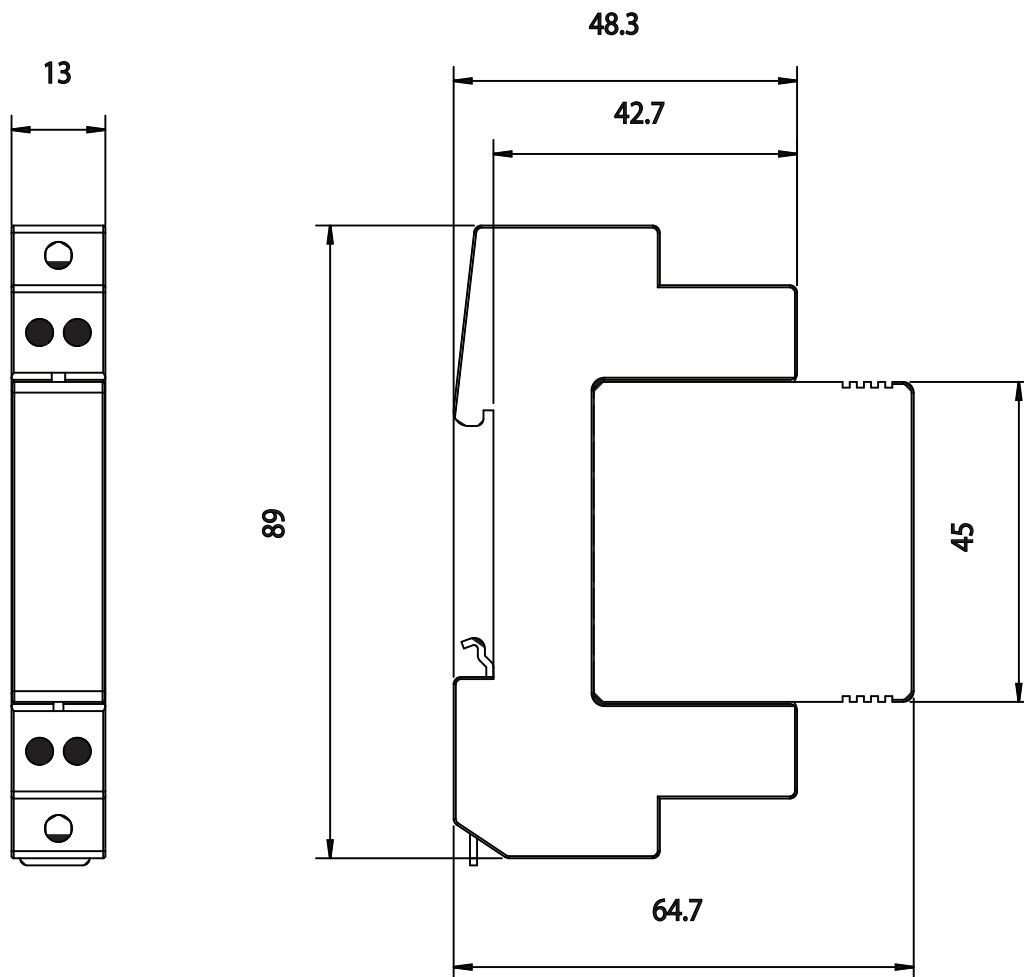


Specifications

Connection/Mounting Type	Series/DIN Rail mount
Standards Compliance	UL 497B, IEC 61643-21
Certifications	CE Marked, UL Listed
Conductor Material	Cu, solid or stranded
Conductor Range	#21...16 AWG (0.4...1.5 mm ²)
Strip Length	0.2 in. (5 mm)
Tightening Torque	4.4 lb•in (0.5 N•m)
No. of Conductors/Terminal	1
Operating Temperature	-40...+80 °C

Approximate Dimensions

Note: Dimensions are shown in millimeters. Dimensions are not intended for manufacturing purposes.

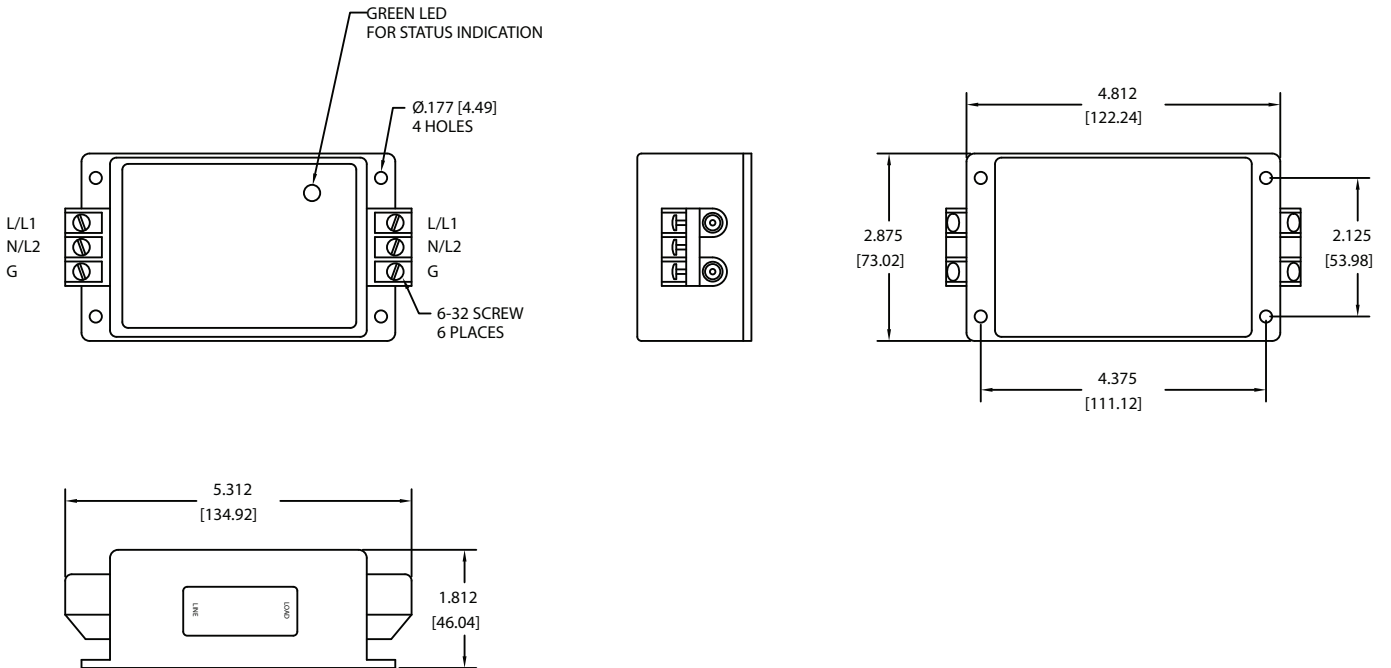


Specifications

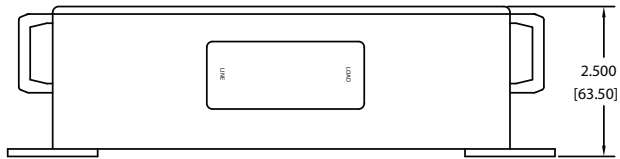
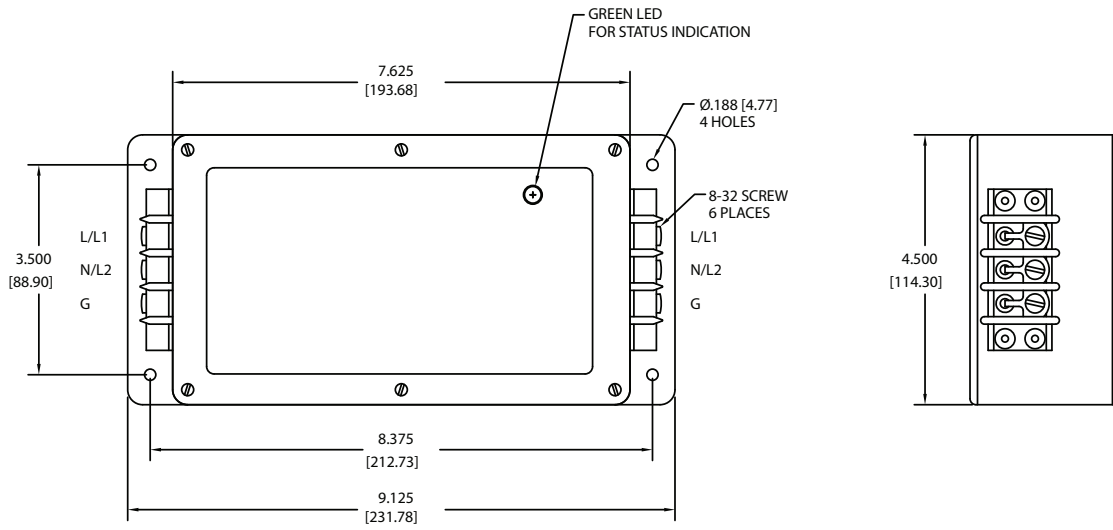
Connection/Mounting Type	Series/Panel (Flange) mount
Enclosure	Grey, high-impact plastic, 94V-0, product label
Approximate Weight	2.5 A — 1.5 lb 5.0 A — 1.5 lb 15 A — 4 lb 30 A — 6.5 lb
Modes of Protection	Line — Neutral Line — Line Line — PE Neutral — PE
Certifications	UR recognized component, CE Marked
Typical Cat. A Ringwave Rating	< 10V peak
Typical Cat. B Ringwave Rating	< 50V peak
Status Indication	Single green LED for power indication
Response Time	Normal mode: < 0.5 ns Common Mode: < 5 ns
Operating Temperature	-40...+60 °C derate linearly to 60% @ +70 °C
Fusing	Appropriate external fusing is required
Frequency Response (Forward - Reverse) 100 kHz...50 MHz	Normal Mode — 90 dB min. Common Mode — 60 dB min. 3 kHz cut-off frequency
Peak Surge Current Capability (8 x 20 μs) All Mode Unit Line to Neutral Line to Ground Neutral to Ground	15 kA 15 kA 15 kA

Approximate Dimensions

Note: Dimensions are shown in inches (millimeters). Dimensions are not intended for manufacturing purposes.

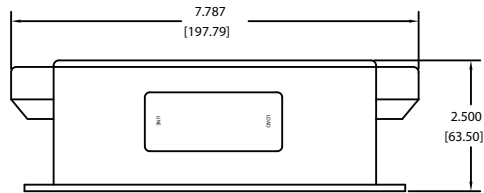
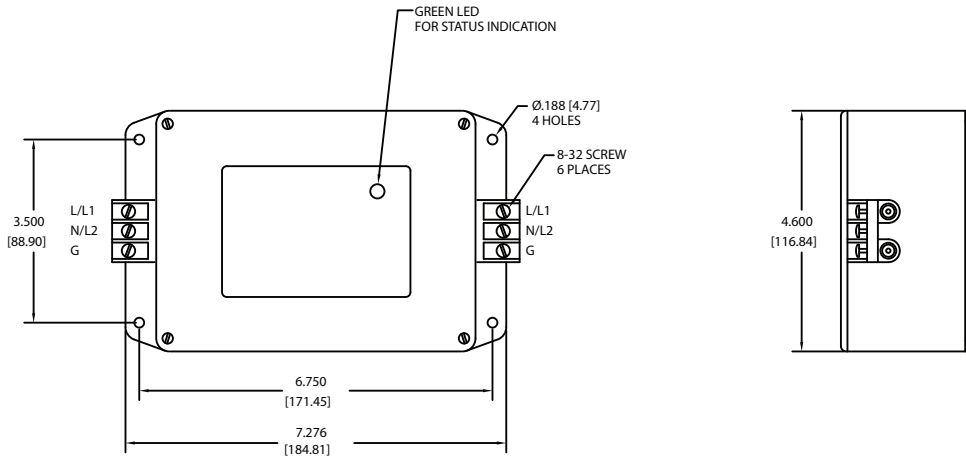


Note: Dimensions are shown in inches (millimeters). Dimensions are not intended for manufacturing purposes.

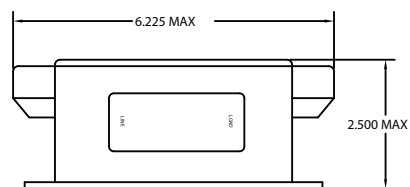
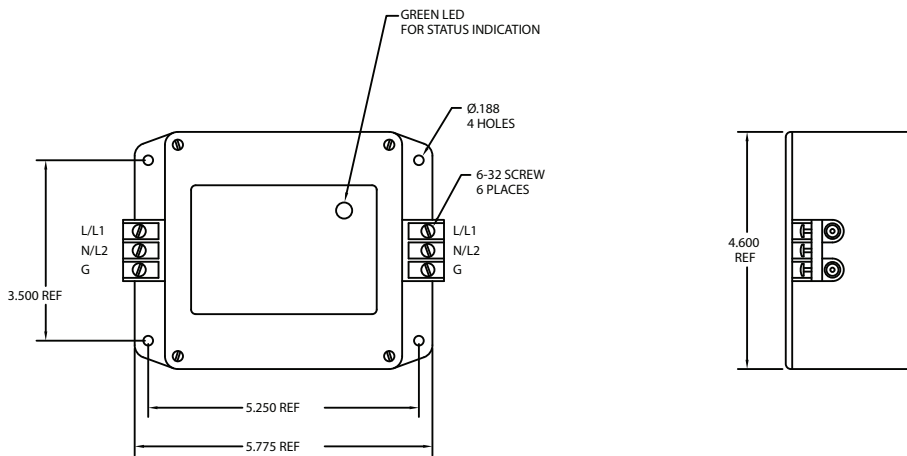


Cat. Nos. 4983-PF120-30, -PF240-15, -PF240-30

Note: Dimensions are shown in inches (millimeters). Dimensions are not intended for manufacturing purposes.



Cat. Nos. 4983-PF120-15



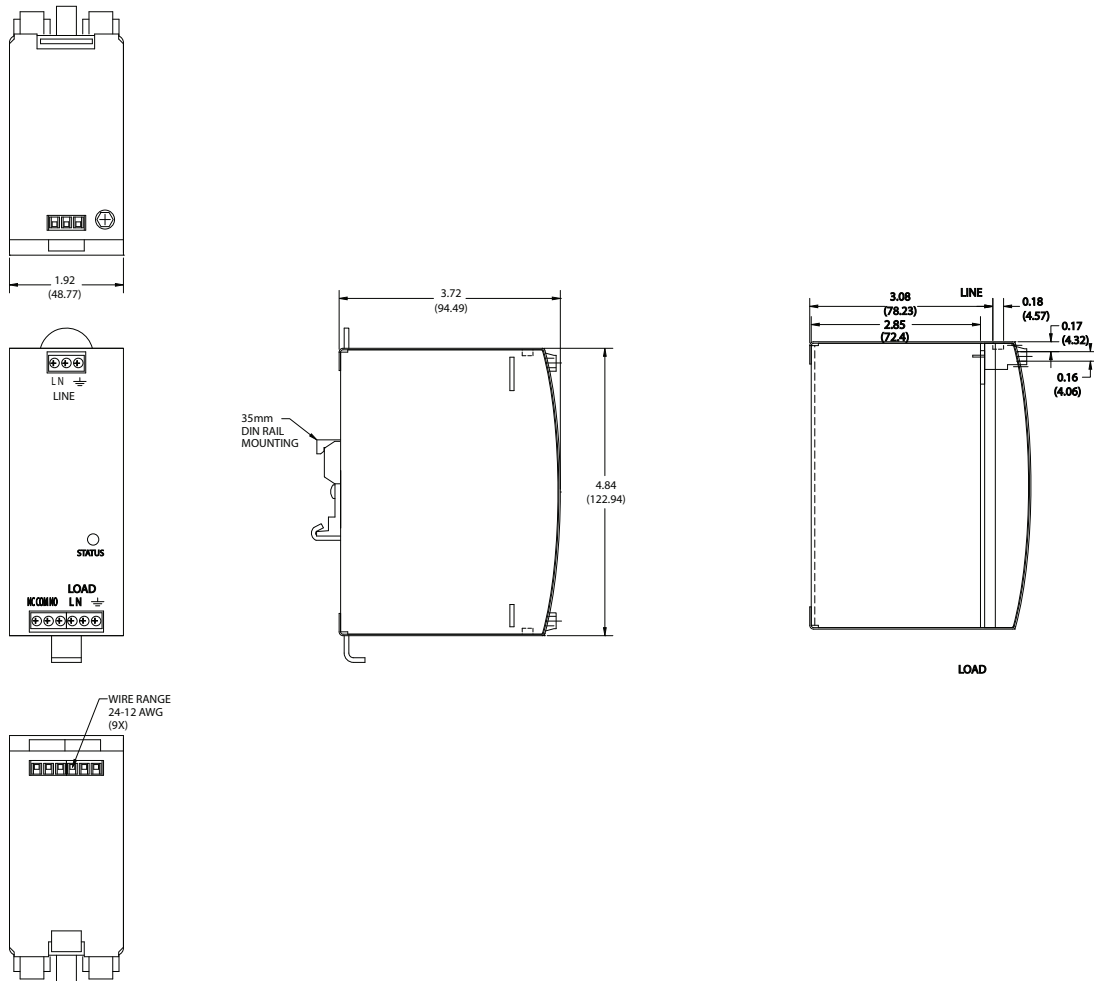
Cat. No. 4983-PF240-05

Specifications

Connection/Mounting Type	Series/DIN Rail mount
Enclosure	Metal, DIN Rail mount, product label
Approximate Weight	3 A — 1 lb 5 A — 1 lb 10 A — 1.5 lbs 20 A — 1.5 lbs
Modes of Protection	Line — Neutral Line — Line Line — PE Neutral — PE
Certifications	UR Recognized, CSA, CE Marked
Typical Cat. A Ringwave Rating	< 60V peak
Typical Cat. B Ringwave Rating	< 100V peak
Status Indication	Single green LED indicating MOV integrity Single form C contact (10 A @ 250V AC, 5 A @ 100V DC)
Response Time	Normal mode: < 0.5 ns Common Mode: < 5 ns
Operating Temperature	-40...+60 °C derate linearly to 60% @ +70 °C
Fusing	Appropriate external fusing is required
Frequency Response 100 kHz...50 MHz	Normal Mode (100 kHz...50 MHz) — 90 dB min. Common Mode (5...50MHz) — 60 dB min. 50 kHz cut-off frequency

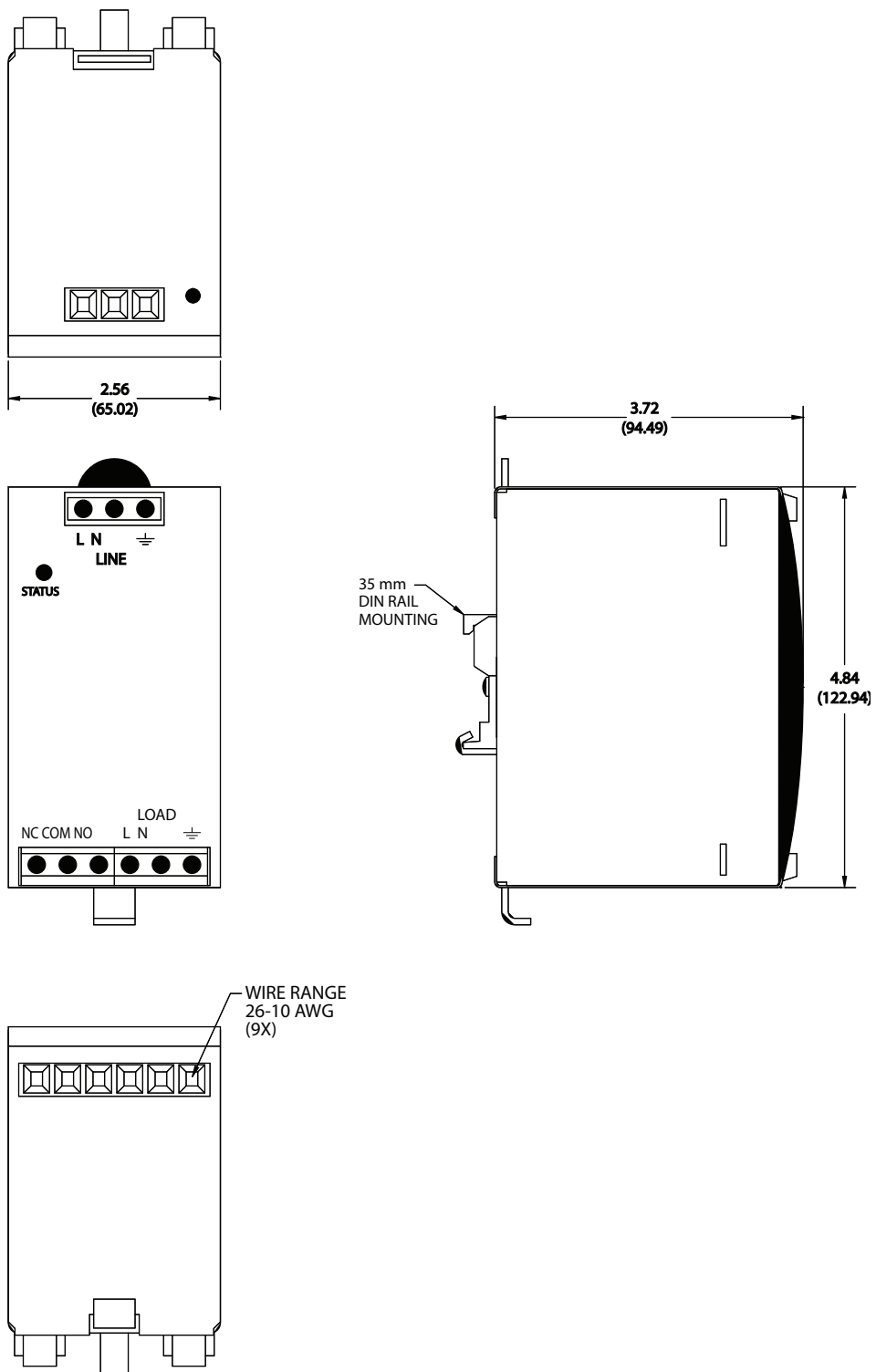
Approximate Dimensions

Note: Dimensions are shown in inches (millimeters). Dimensions are not intended for manufacturing purposes.



Cat. Nos. 4983-DCxxx-03, -DCxxx-05

Note: Dimensions are shown in inches (millimeters). Dimensions are not intended for manufacturing purposes.



Cat. Nos. 4983-DCxxx-10, -DCxxx-20