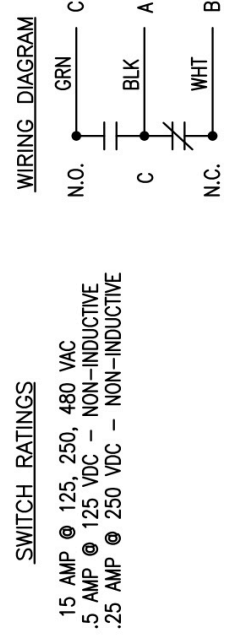
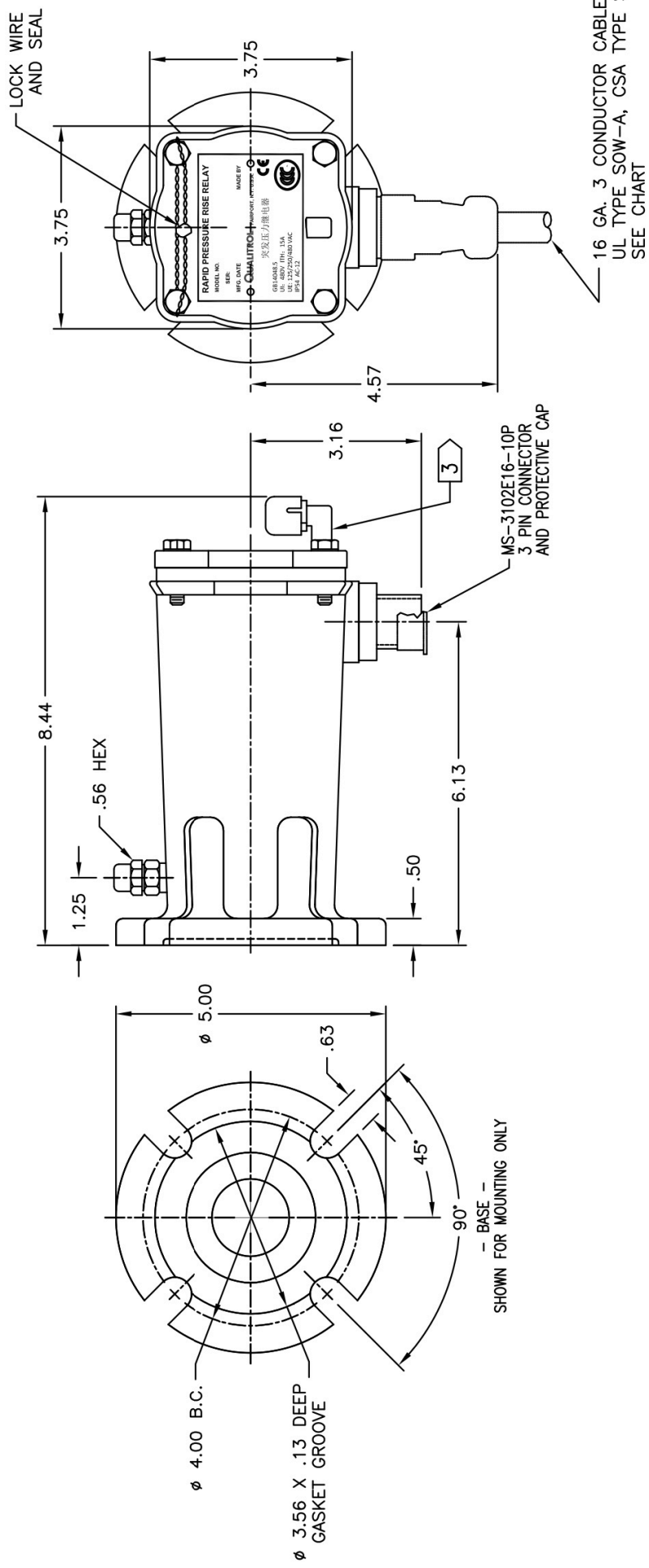


MODEL NO. 900-003

NOTICE
THIS DRAWING IS THE PROPERTY OF QUALITROL COMPANY LLC AND IS LOANED ONLY ON THE CONDITION THAT IT NOT BE REPRODUCED, COPIED OR OTHERWISE DISPOSED OF, AND IS NOT TO BE USED IN WHOLE OR IN PART FOR FURNISHING INFORMATION RELATIVE TO THE MAKING OF DRAWINGS, PARTS OR APPARATUS OR PARTS THEREOF, EXCEPT BY WRITTEN ORDER FROM QUALITROL COMPANY LLC.

- NOTES:
1. MEETS QUALITROL PRODUCT PERFORMANCE SPECIFICATION PPS-9.
 2. FOR OIL SPACE INSTALLATION ONLY
- [3] UNIT MUST BE MOUNTED HORIZONTALLY WITH VENT UP AS SHOWN.



REVISION	MODEL NUMBER	LOW TEMP. TEST	CONNECTOR ASSEMBLY	CABLE LENGTH	REMARKS
26330 11-12-07	900-003-69	—	YES	180 IN.	INCLUDES ADD'L VENT
26330 11-12-07	900-003-68	—	YES	0.0 IN.	INCLUDES ADD'L VENT
26330 11-12-07	900-003-67	—	YES	240 IN.	INCLUDES ADD'L VENT & LIQUID TITE CONDUIT FITTING
26330 11-12-07	900-003-66	—	YES	72 IN.	INCLUDES ADD'L VENT
26330 11-12-07	900-003-65	—	YES	120 IN.	INCLUDES ADD'L VENT
26330 11-12-07	900-003-64	—	YES	96 IN.	INCLUDES ADD'L VENT
26330 11-12-07	900-003-63	—	YES	48 IN.	INCLUDES ADD'L VENT
26330 11-12-07	900-003-62	—	NO	—	INCLUDES ADD'L VENT
26330 11-12-07	900-003-02	—	NO	—	REPLACES 900-003-01
OBsolete 17074, 6/17/96	900-003-01	—	NO	—	—

QUALITROL

DIMENSIONS AND TOLERANCES IN ACCORDANCE WITH ASME Y14.5M-1994

TITLE: RAPID PRESSURE RISE RELAY (OIL)
MODEL NO. 900-003

FORM 0-473 REV. F 04/06/06