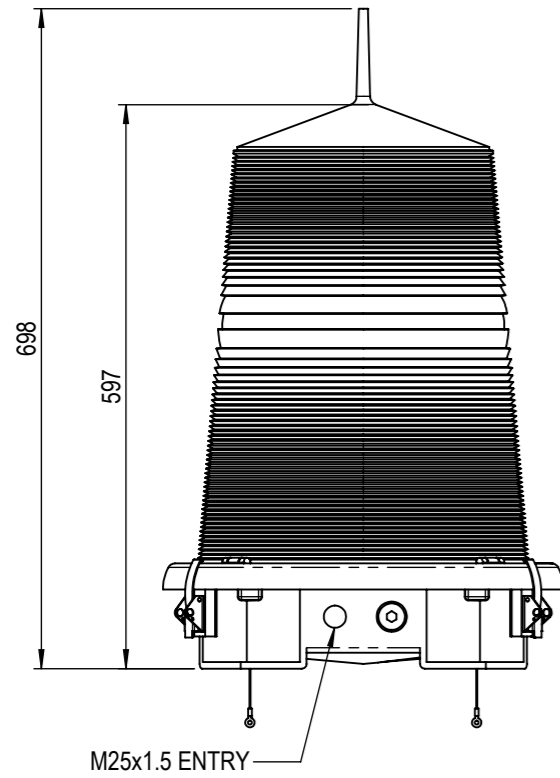
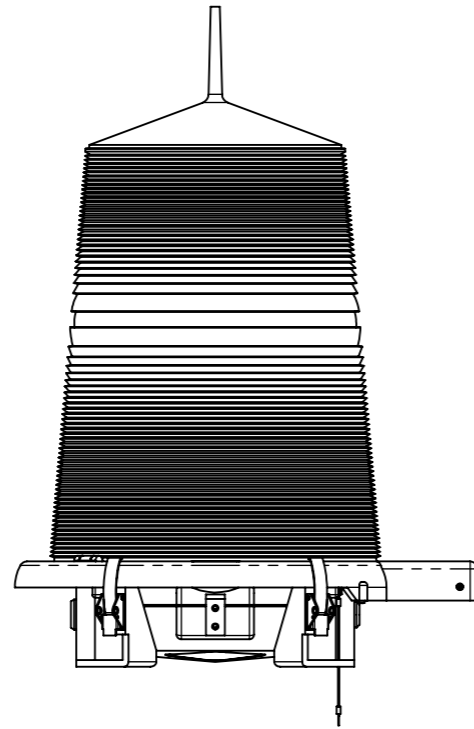


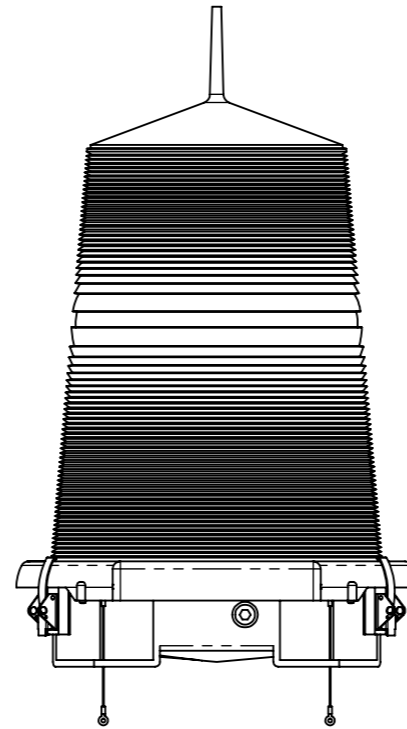
FRONT VIEW



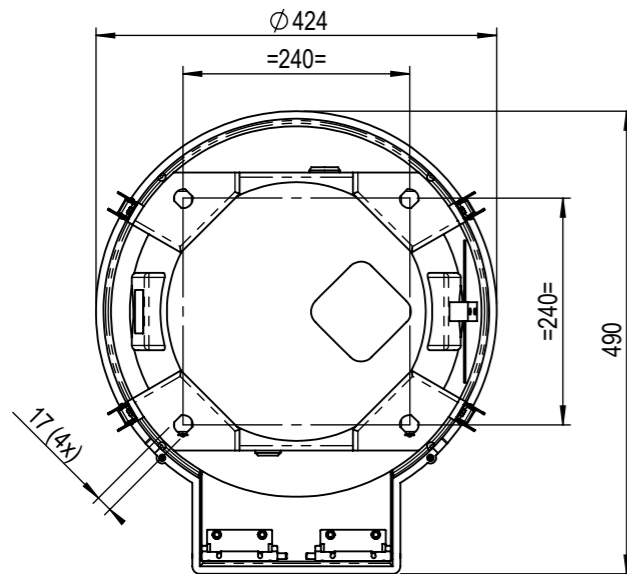
RIGHT VIEW



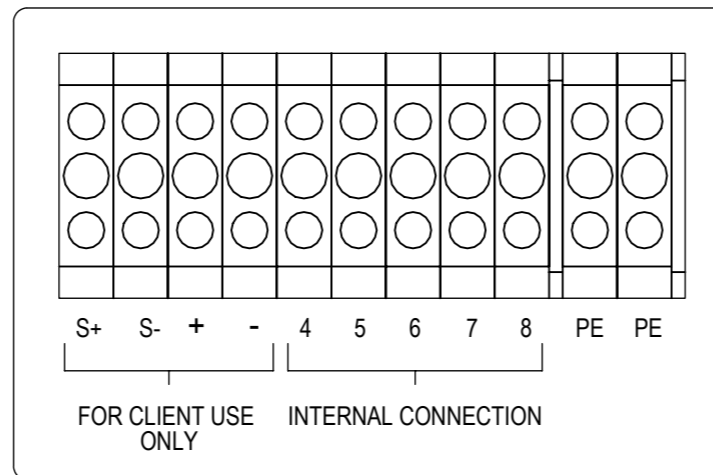
BACK VIEW



BOTTOM VIEW

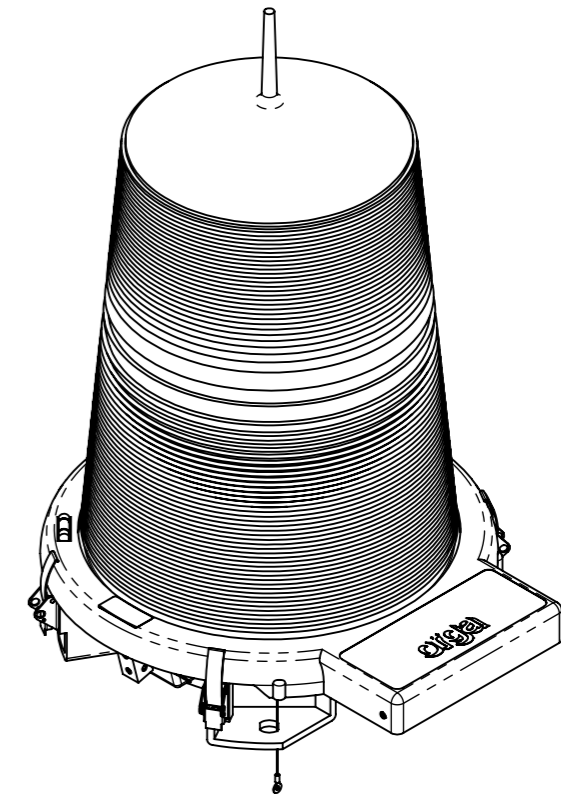


CLIENT CONNECTION



SPARE PARTS LIST

PART NO	NAME	REFERENCE	DESCRIPTION
011180	Base assembly	L303	Plastic, ca. 400x460x110
012294	O-ring	L3xx	Rubber, ca. 364x Ø 6
012292	97-50 latch		
012293	Fixation cord	L303/L304	Stainless steel, ca. 1400x1.5
011642	Lens assembly	L303	Clear transparant plastic, ca. 629x490x424
013403	Bracket assembly	L303	Light alloy, ca. 240x240x160
010109	TFH130EX	TFH130	Enclosure
013438	CCA0 O-ring		Rubber, ca. 130x3.5
012993	A2F Gland		20-Metric
014306	Silicagel assembly		
010434	ALC6EX-DC	ALC6EX	Automatic lampchanger
010910	SSPG11-SSF-C		Embedded photocell
010860	SSF12-12		Control unit
015131	AKZ 4 terminal		
	Cable tie		
015133	AP AKZ4 plate		
015147	EW15 end bracket		
010093	Lamp	ALC6EX	EEx lamp; 12V, 3A



Note: all values are typical values

L303EX-C-H11-300	
Marking	: II 2GD EEx edm IIB T3 T65°C
Certificate no.	: KEMA 02ATEX2050
IP rating	: IP66
Weight	: 12kg / 26.5lbs
Material	: Non metallic

Rev.	Date	Drawn: J.F.	Date: 05-11-2007	Client ref.:
0	05-11-2007	Checked:	Date:	
1	31-03-2009	Scale: 1:8		
2	30-12-2009	Sheet: 1 of 1		
3	09-08-2010	Arrangement drawing		All rights of design or invention are reserved
4				

Lighting fixture  
TYPE: L303EX-C-H11-300

**orga**  
Strickledeweg 13  
NL - 3125 AT SCHIEDAM  
T +31 (0)10 208 5555  
info@orga.nl  
www.orga.nl

Project nr.: P5066  
Drawing nr.: 5066- GA21