

Customer	: Unknown-Unknown	Quantity	: 1
Customer reference	:		
Service	: FW Cooling Pump		
Hull No.	: -		
Vessel Type	:		

Item No. 001

Type	: Single suction, single stage, radially split, vertical inline centrifugal pump		
Model	: C2G-100LR-KAN-T0000-CNB-DPN10/10		
Weight (w/o motor)	: 45.00 kg		
Fluid/Density/Temp	: Fresh Water 20°C / 0.998 kg/dm3 / 20.00 deg C	Serial No.	: N/A

PERFORMANCE DATA

Flowrate	: 100.0 m3/h	Pump Total Head	: 35.00 m
Speed	: 3521 rpm	Inlet Total Head	: 0.00 m
Rated Power	: 12.67 kW	Outlet Total Head	: 35.00 m
Maximum power	: 12.67 kW	NPSHr	: 4.68 m

Materials

Casing	: SG(Nodular)Iron (K)	Seal Face	: Sic / Carbon / 316 SS (C)
Impeller	: NiAlBronze (A)	O-Ring	: Nitrile (N)
Shaft	: Stainless Steel - Duplex	Wear Ring	: Bronze (B)

TECHNICAL SPECIFICATION

Shaft Seal	: Mechanical	Coating	: RAL5010
Bearing	: Grease lubricated ball bearings	Priming System	: Not Included
Gauge	: Not Included	Counter Flange	: Not Included
Spares	: Not Included		
Accessories	: Not Included		

PUMP TEST AND DOCUMENTATION

Description TEST	: Enclosed	Outline Drawing	: TUS4318-104
Performance Curve	: Enclosed	Sectional Drawing	: SUS4082-001
Certificate	: Maker Certificate	Material List	: SUS3735-003

Pump Test : Performance test in accordance with ISO 9906 2B. Hydrostatic pressure test to 1.5 pump delivery pressure against closed discharge valve. Additional class society certificate(s) as listed above.

ELECTRIC MOTOR NOT INCLUDED IN THE QUOTATION

Mfg	: -	Type	: TEFC
Model	: -	Weight	: -
Insulation Class	: -	Speed	: -
Temperature Rise	: -	Mounting Type	: -
Protection	: -	Power Supply	: -
Service Factor	: -	Cable Glands	: -
Rated Power Output	: -	Thermistor	: -
In	: -	SPM Nipple	: -
Is	: -	Heating	: -
Starting Method	: -	Certificate	: -
Notes	: -	Coating	: Pls, specify cotaing type and RAL

Drawn
WYC

Date

Page
1

Of
1

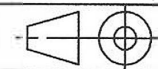
Design
WYC

Date

Checked
ZW

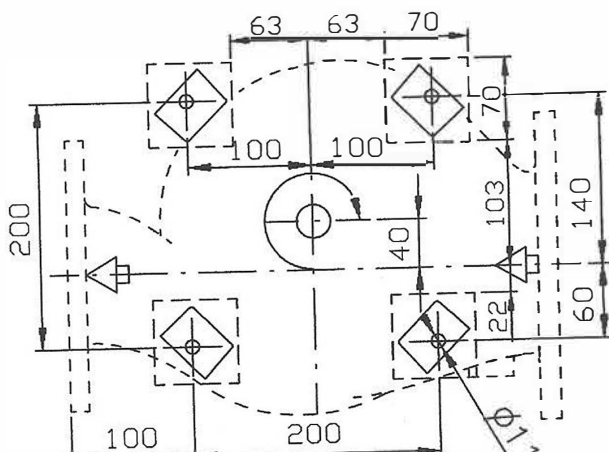
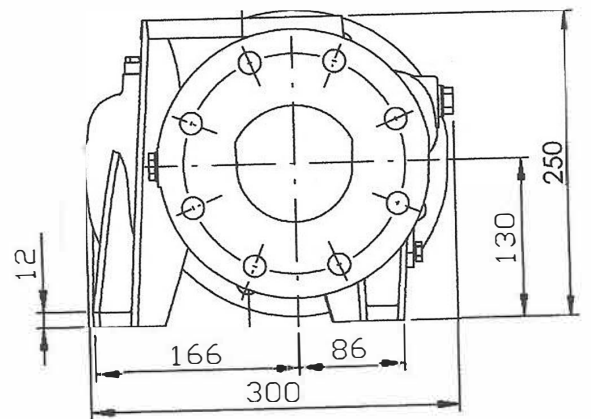
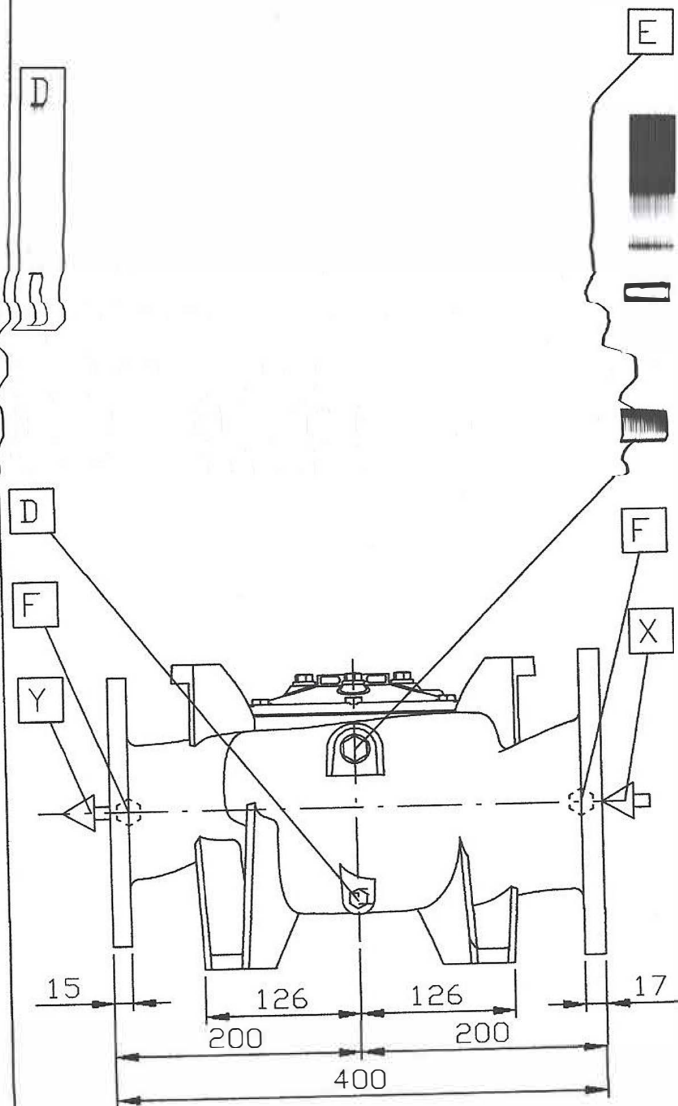
Date

Scale
1 : 6

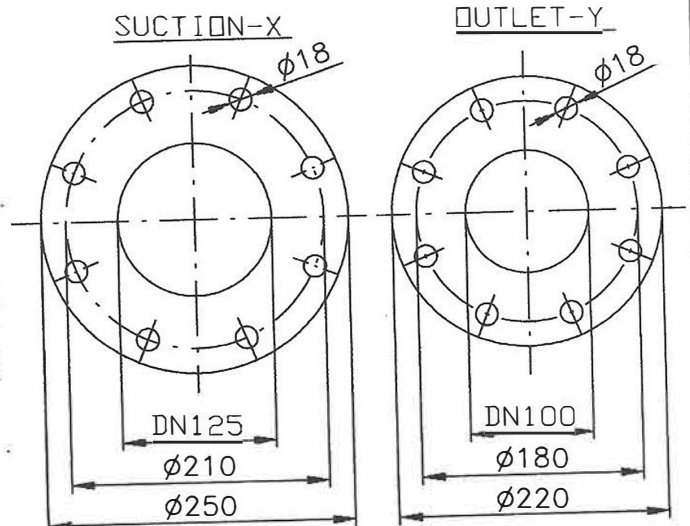


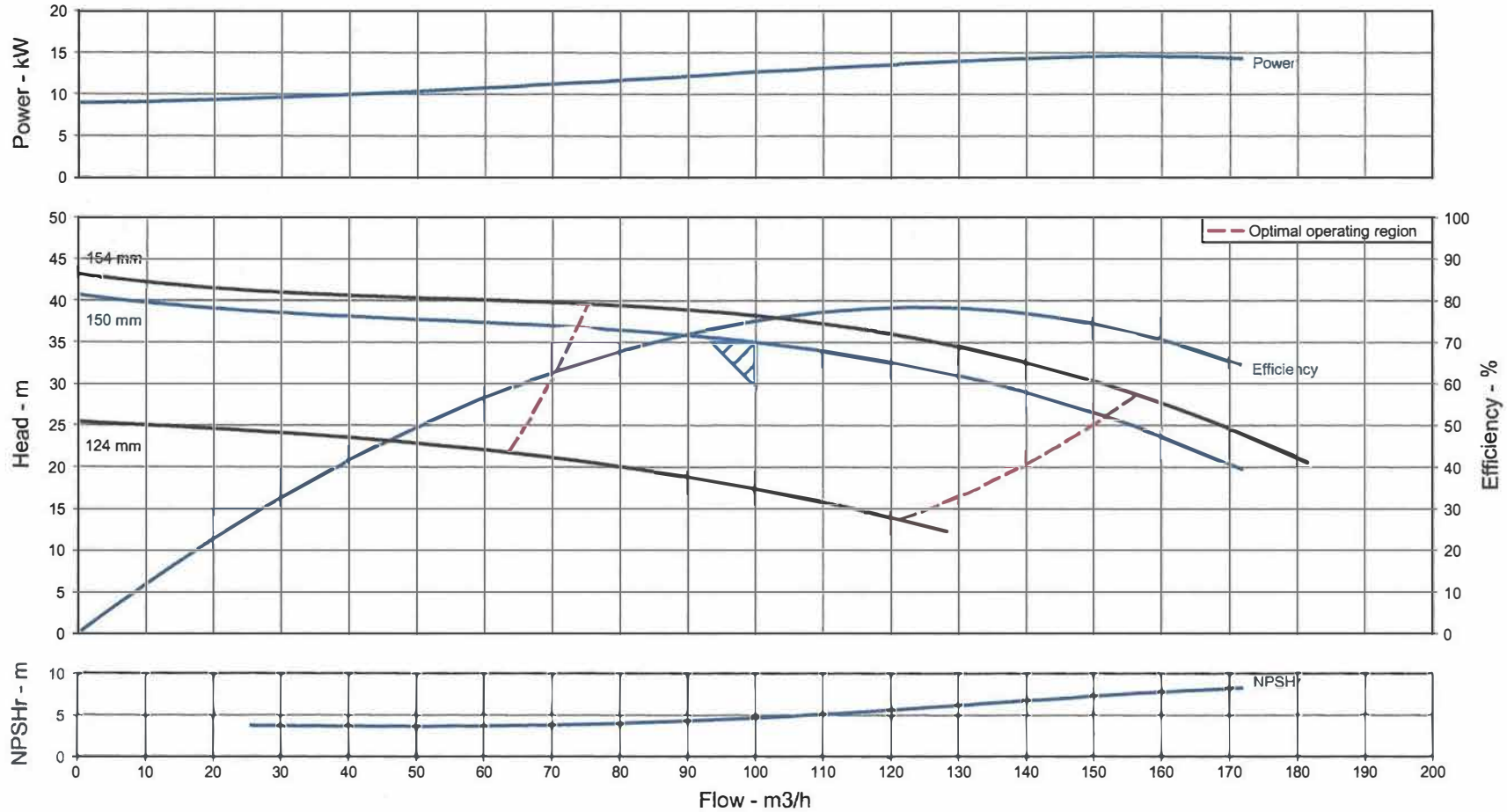
Rev.
00

Date



PUMP FOOT PRINT





Item number	: 001	Size	: C2G-100L	Flow, rated	: 100.0 m ³ /h
Service	: FW Cooling Pump	Stages	: 1	Differential head / pressure, rated	: 35.00 m
Quantity	: 1	Speed, rated	: 3521 rpm	Fluid density, rated / max	: 0.998 / 0.998 kg/dm ³
Quote number	: Q23813	Based on curve number	: C2G-100LR-3600	Viscosity	: 1.00 cSt
Date last saved	: 18 Nov 2021 3:21 PM	Efficiency	: 75.13 %	Cq/Ch/Ce/Cn [ANSI/HI 9.6.7-2010]	: 1.00 / 1.00 / 1.00 / 1.00
		Power, rated	: 12.67 kW		