



The **NexLED** delivers an instant bright white light. Designed for low profile applications, the bulkhead can be mounted on walls, handrails and ceilings making it ideal for walkways or restricted height areas.

The **NexLED emergency** option provides emergency battery backup to ensure continued operation in the event of a power outage. Benefits from the same features as the standard NexLED and is also available as a low temperature version for operation down to -45°C.

## Mounting Options

- Ceiling
- Wall
- Recessed
- Pole/Stanchion
- Bulkhead

International Approvals

CE

## Standard Specification

NexLED LED

Enclosure	Aluminium LM6 body, RAL-9005 black epoxy polyester paint finish with toughened glass and silicone gasket
Reflector	Brushed aluminium
Entry	3 x M20 cable entries
Termination	3 core 4mm <sup>2</sup> max conductor with looping (4 core on Emergency)
Installation	Surface mounted, 4 mounting holes located outside of seal
Control Gear	Electronic Driver
Colour Temperature (CCT)	4100K (Neutral White)
Maintenance	M6 Slotted Screws
Battery	Internal NiMH (201-6V, 801-10.8V) (Emergency only)
Emergency Light Duration	3 Hours (100% output)
Ingress Protection	IP66/67 to EN 60529
Surge Protection	4kV
Electrical Supply	120-240V AC 50/60HZ 220-254V AC 50/60Hz (Emergency only)

## Features

- ◆ Highly visible, **instant light**
- ◆ **Easy to install and maintain**
- ◆ **Ultra long life, no re-lamping required**
- ◆ Over **60,000 hours\*** continuous operation
- ◆ **100% output in emergency mode** (up to 3 hours)
- ◆ Very low **power consumption**
- ◆ Highly **Energy Efficient**

\* 60,000 hours expected at 40°C ambient (L70/B10)

Chalmit®

## LED SOLUTIONS

For Harsh & Hazardous Locations



Std. Cat No.	Delivered Output	Power Consumption	Ambient °C	Weight
<b>NELI/201/LE</b>	168 lm	7W	-20 to +45	3.5kg
<b>NELI/801/LE</b>	671 lm	16W	-20 to +45	3.5kg
<b>NELI/201/LE/EM</b>	168 lm	8W	-20 to +45	4.1kg
<b>NELI/801/LE/EM</b>	671 lm	17W	-20 to +45	4.1kg

Options - Suffix to Catalogue No.

<b>/GDE</b>	Green LED's (should not be used in combination with Exit sign)
-------------	--

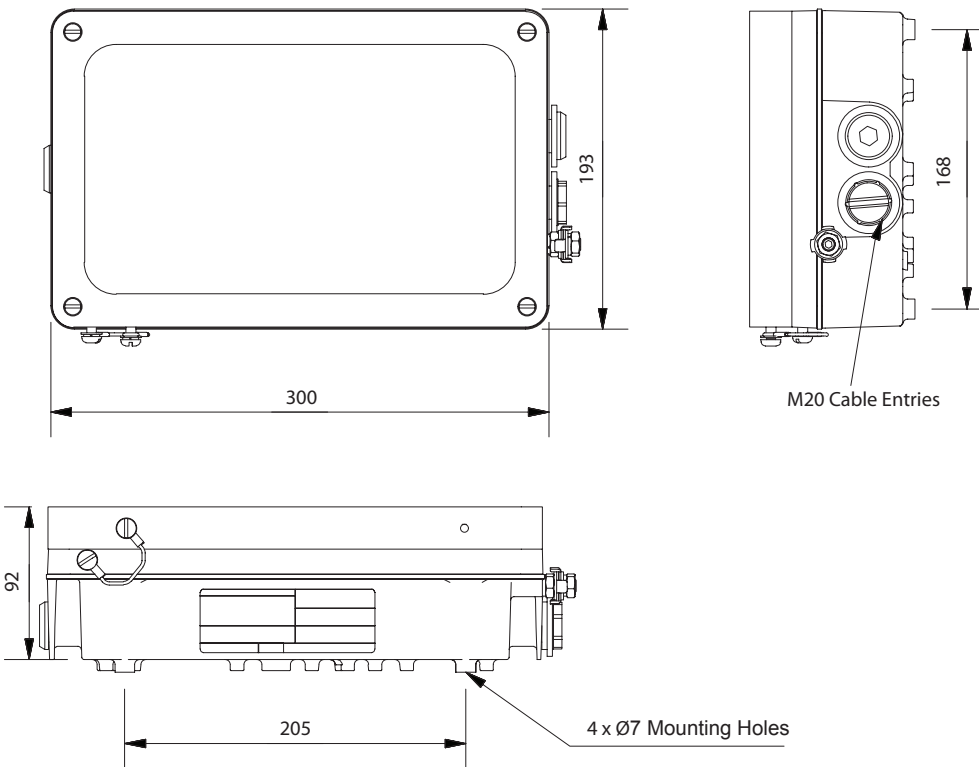
**Accessories** *Accessories should be ordered separately*

	Order Code
<b>Green Exit sign kit (supplied with up, down, left and right labels*)</b>	<b>SNEL1-0008</b>

\*Other signage options available upon request, please contact Chalmit® sales.



MADE IN BRITAIN



**LED SOLUTIONS**  
*For Harsh & Hazardous Locations*



Harsh & Hazardous