



PROTECTA III

Ex ec LED Linear

The **Protecta III LED** linear offers the performance, reliability and strength of our renowned Protecta range, now for Zone 2/22 applications. Suitable for use where harsh industrial environments are potentially explosive and across a broad range of industries including: Petrochemical and onshore oil and gas, food and beverage production locations and power generation sites.

Expected useful life to 70% of the initial lumens (L70) is 154,000 hours. With fully replaceable LED strips and drivers we deliver a trusted and iconic luminaire which is exceptionally energy efficient and offers effective long term maintenance capability.



Mounting Options

Ceiling. Wall. Suspended. Pole/Stanchion

Standard Specification

Protecta III Ex ec LED Linear

Type of Protection	Ex ec (Increased Safety) Ex tc (Dust Protected Enclosure)
ATEX Classification	Group II Category 3 GD
Area Classification	Zone 2 areas to EN/IEC 60079 10-1, Zone 22 areas to EN 60079-10-2 with installation to EN 60079-14
Certificate	EU Type Examination Certificate CML 21ATEX3109X IECEx Certificate of Conformity IECEx CML 21.0008X UK Type Examination Certificate CML 21UKEX3127X
Coding	Ex ec IICT4 Gc Ex tc IICT75°C Dc
Enclosure	GRP body with polycarbonate cover
Geartray	White coated Zintec
Entry	4 x M20 cable entries - 2 at each end
Termination	3 core 4mm ² max conductor with looping and 16A rating through wiring [4 core on Emergency]
Installation	2 x M8 moulded-in stainless steel bushes located on the rear of the body
Control Gear	Electronic Driver
Colour Temperature (CCT)	4000K (Neutral White)
Colour Rendering Index (Ra)	>80
Maintenance	Quick release diffuser clamp and hinged cover
LED Lifetime @ 55°C Ambient	L70 > 154,000hrs
System life	120,000hrs @ 25°C [excluding battery]
Battery	Internal Ni-Cd (6V) [Emergency version only]
Emergency Duration	3 Hours (02L version = 33% output, 04L version = 23% output, 07L version = 12% output)
Impact Protection	IK10
Ingress Protection	IP66/67 to EN 60529
Surge Protection	02L = 1kV; 04L/07L = 4kV (Line to Line)
Electrical Supply	120-277Vac, 50/60Hz; 127-250Vdc (02L); 127-300Vdc (04L/07L) [Standard version] 220-240Vac, 50/60Hz [Emergency version only]

Features

- ◆ Highly **Energy Efficient**
- ◆ Full length **easy access** diffuser clamp
- ◆ **DTS-01** deluge tested
- ◆ **Screwless** mains terminals
- ◆ **120,000 maintenance free hours** at 25°C
- ◆ **Battery monitoring** and automatic self test

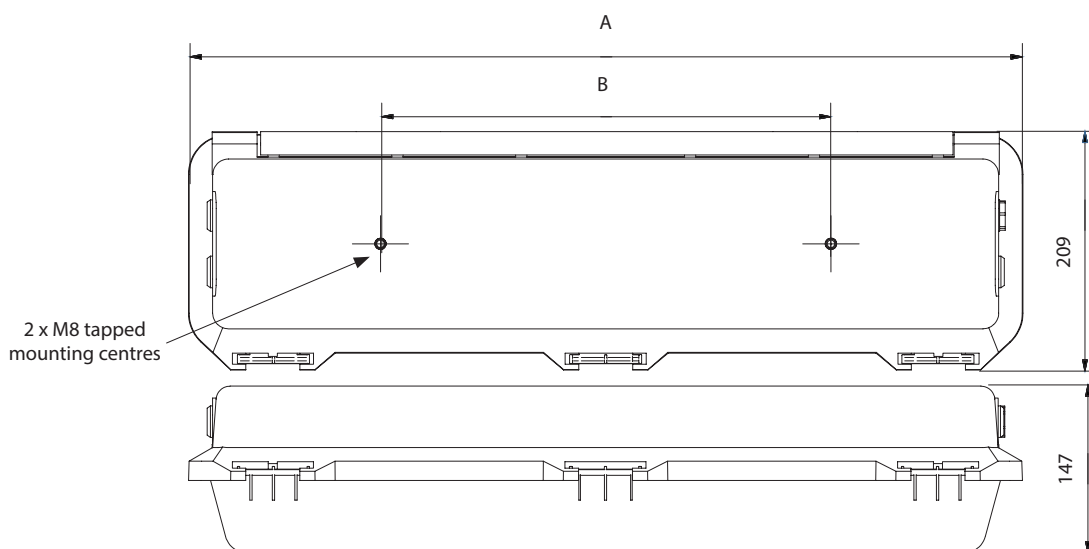
Std. Cat No.	Delivered Output	Power Consumption	Tclass	T°C (Dust)	Ambient °C	Weight
PR3C/02L/LE	2296 lm	16W	T4	75	-40 to +55	4.8Kg
PR3C/04L/LE	3526 lm	24W	T4	75	-40 to +55	4.9Kg
PR3C/07L/LE	6690 lm	44W	T4	75	-40 to +55	8.2Kg
PR3C/02L/LE/EM	2296 lm	20W	T4	75	-25 to +50	5.8Kg
PR3C/04L/LE/EM	3526 lm	26W	T4	75	-25 to +50	5.9Kg
PR3C/07L/LE/EM	6690 lm	48W	T4	75	-25 to +50	9.2Kg

Options - Suffix to Catalogue No.

/M25	M25 cable entries	/NST	Non self test Inverter (EM only)
/LBE	Looping both sides	/5K	5000K (Cool White) LED Strips
/DM	DALI dimmable driver(04L and 07L only)	/3K	3000K(Warm white) LED strips
/EL	Extra live termination facility (to match emergency circuit)	/SC	Screwed connection terminal block (up to 6mm ² conductors)
/OD	Internal Opal diffuser (approx. 20% reduction in output)	/BP	Nickel plated brass plugs (x3)
/JSVS	Inotec CBS type J-SV Modul/S	/JSVT	Inotec CBS type J-SV Modul T/S

Accessories *order separately*

	Order Code
Pole mounting bracket assembly (38/42 diameter poles)	SPOL4-100001
Pole mounting bracket assembly (48/52 diameter poles)	SPOL4-100002
Pole mounting bracket assembly (58/62 diameter poles)	SPOL4-100003
Hook type ceiling bracket assembly	SPRO4-0005
Flush mounted wall bracket assembly	SPRO4-0006
Ceiling bracket assembly	SPRO4-0002
Standard 2ft wall mounting outreach bracket (use with SPOL4-100001)	NPRO4-0008
Standard 4ft wall mounting outreach bracket (use with SPOL4-100001)	NPRO4-0012
Eyebolt mounting assembly	SPRO5-0005
Internal Opal Diffuser Strips(02L & 04L)	S3004-100005
Internal Opal Diffuser Strips(07L)	S3004-100006



DIM	02L/04L	07L
DIM A	742	1352
DIM B	400	700