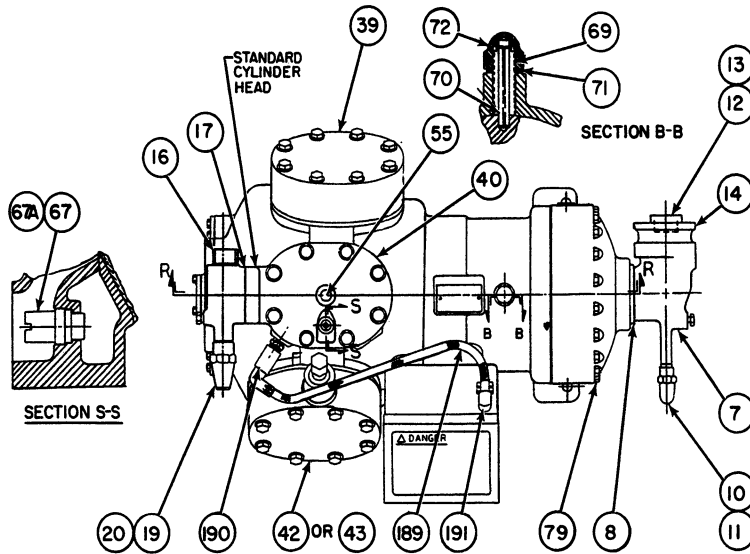
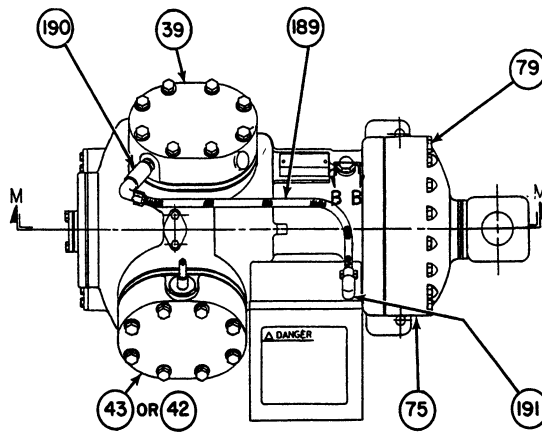


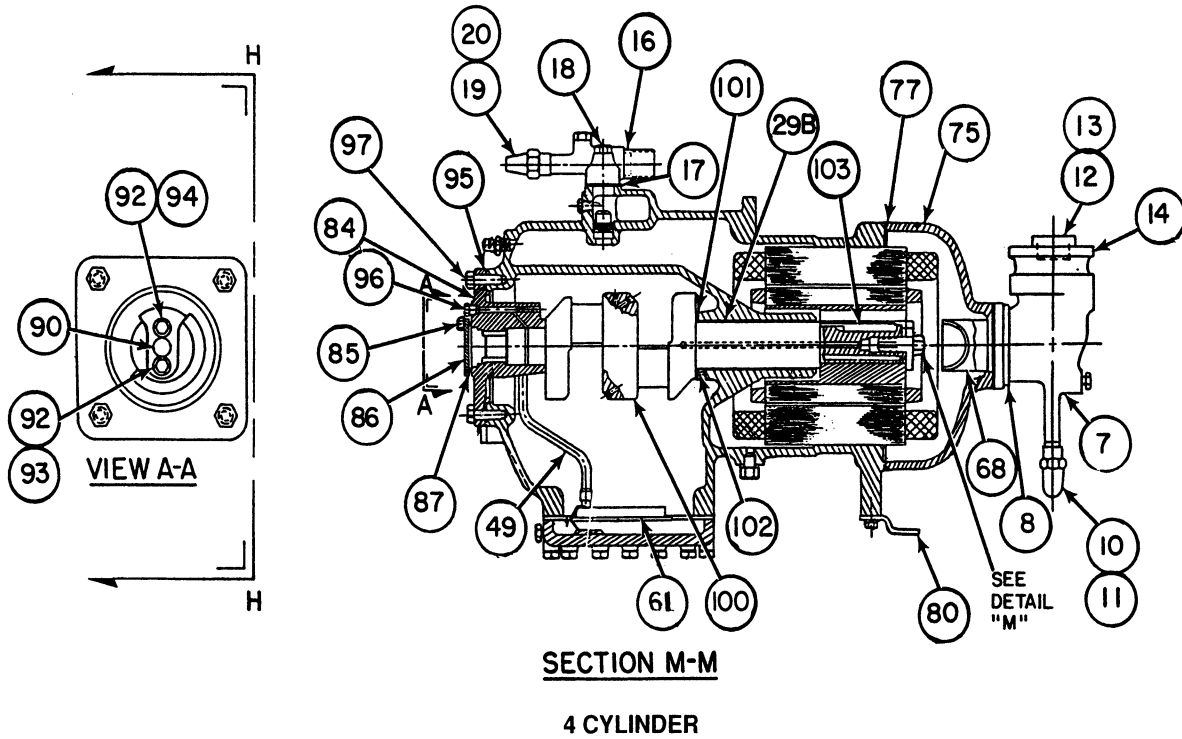
**REVERSED HEAD**

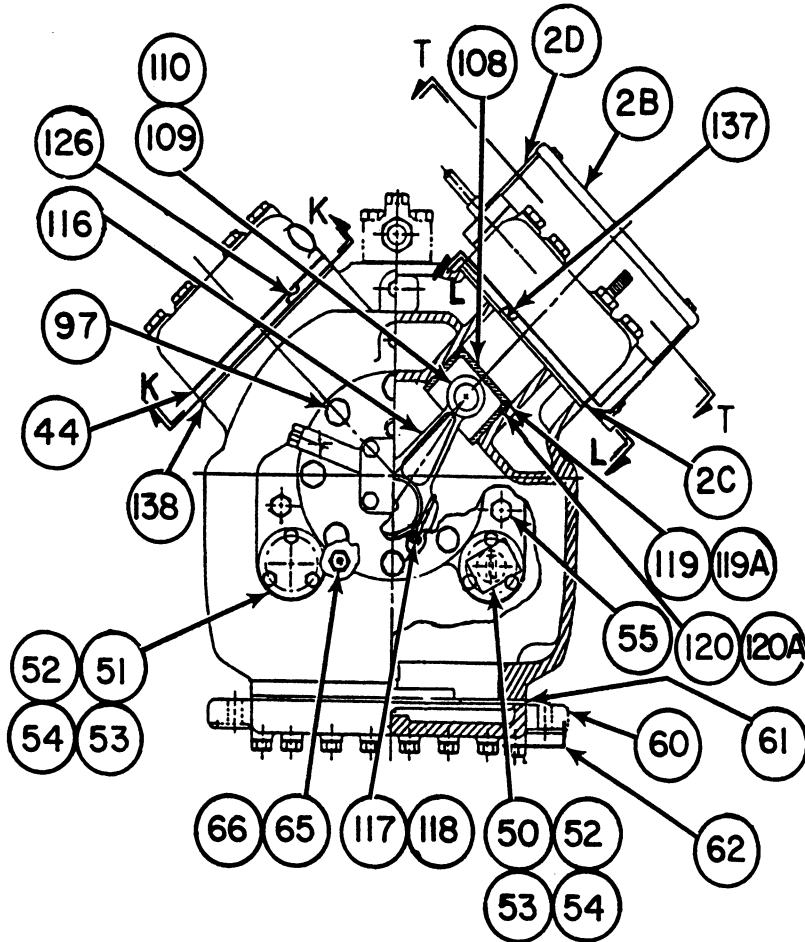


**6 CYLINDER W/PRESSURE UNLOADER**

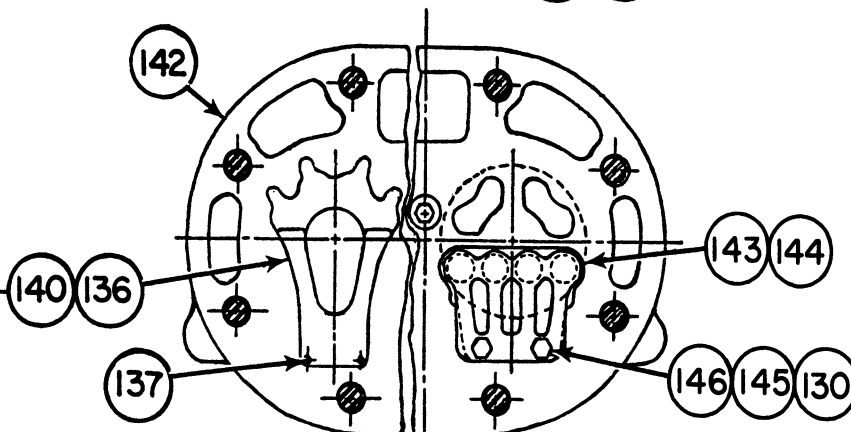


**4 CYLINDER W/ELECTRIC UNLOADER**



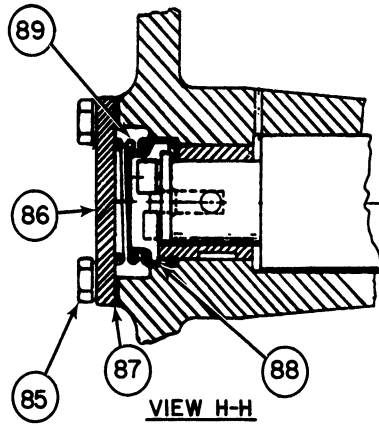
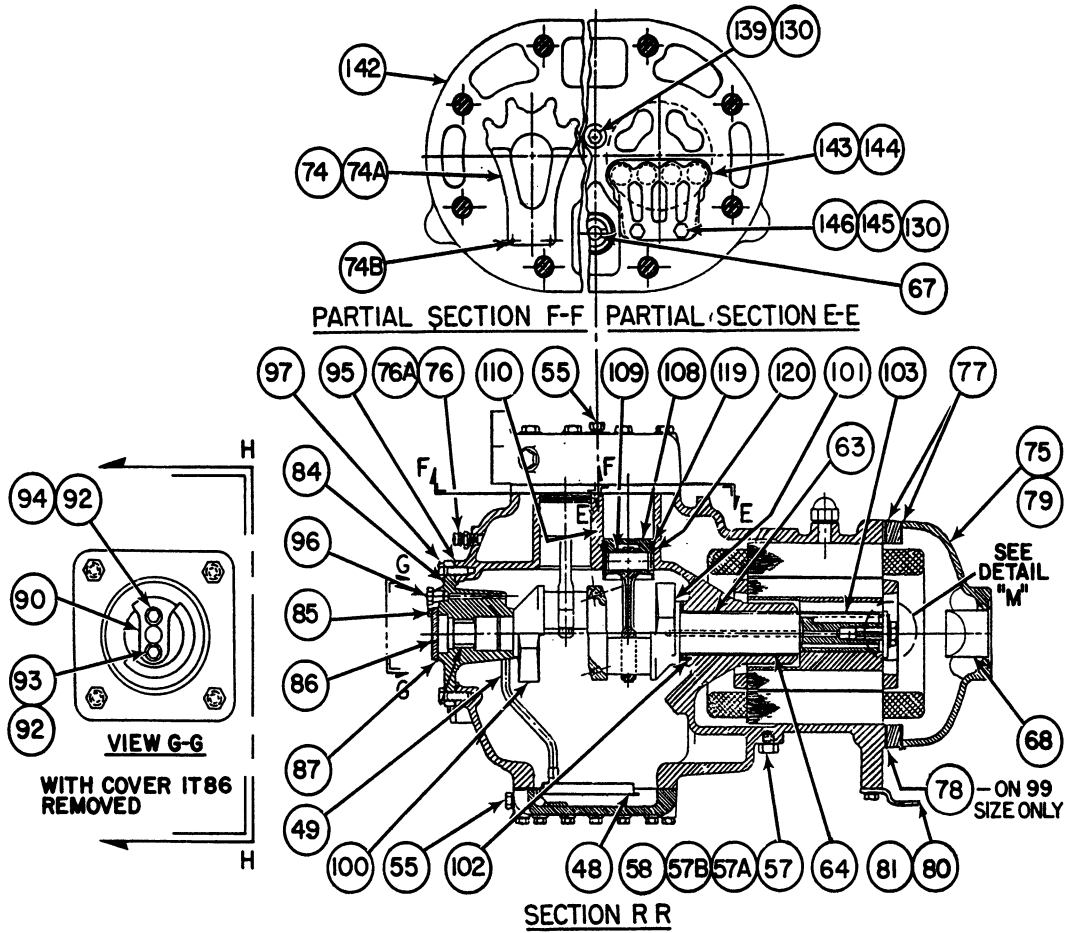


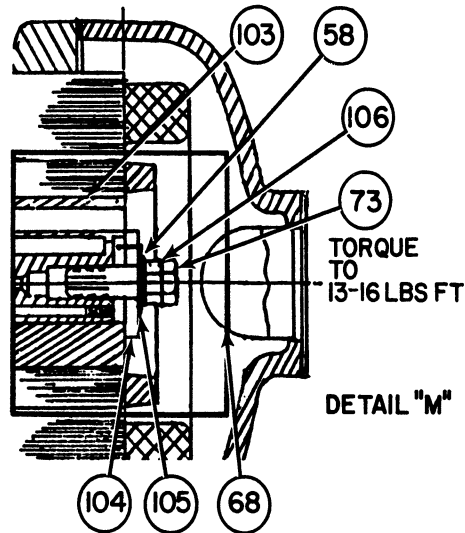
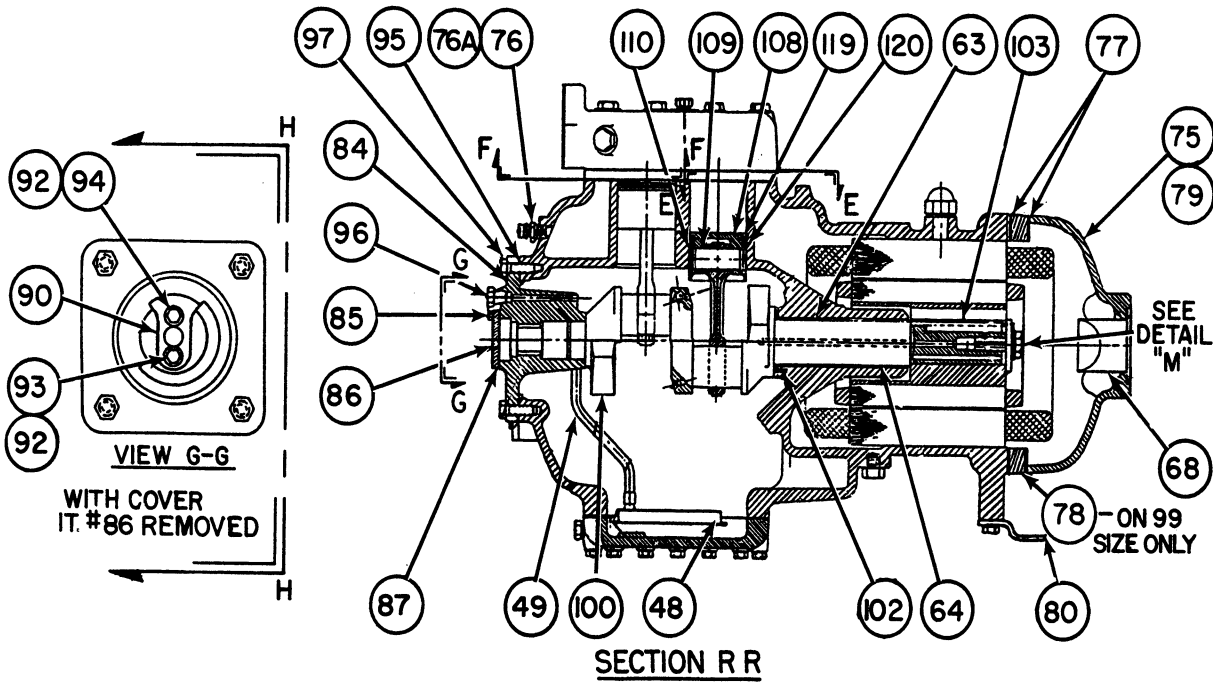
NOT USED ON  
REFRIG.  
MODELS

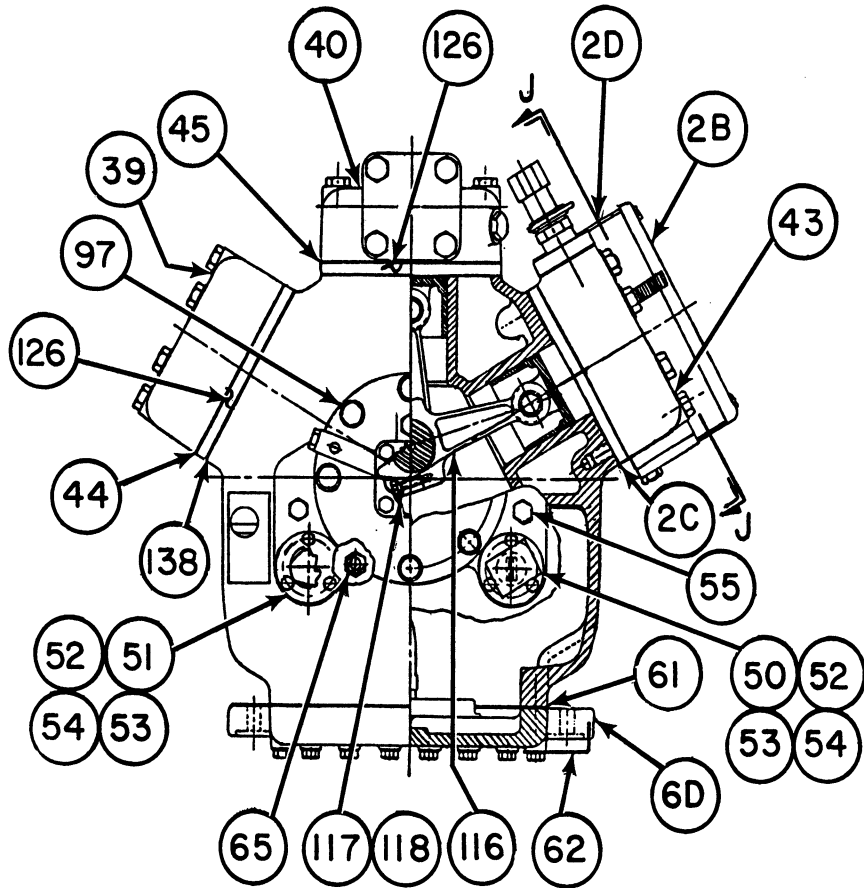


**PARTIAL SECTION K-K PARTIAL SECTION L-L**

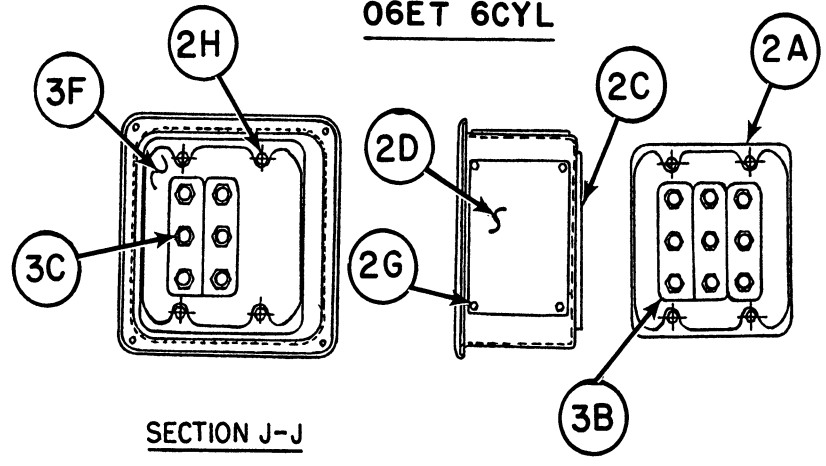
**4 CYLINDER**



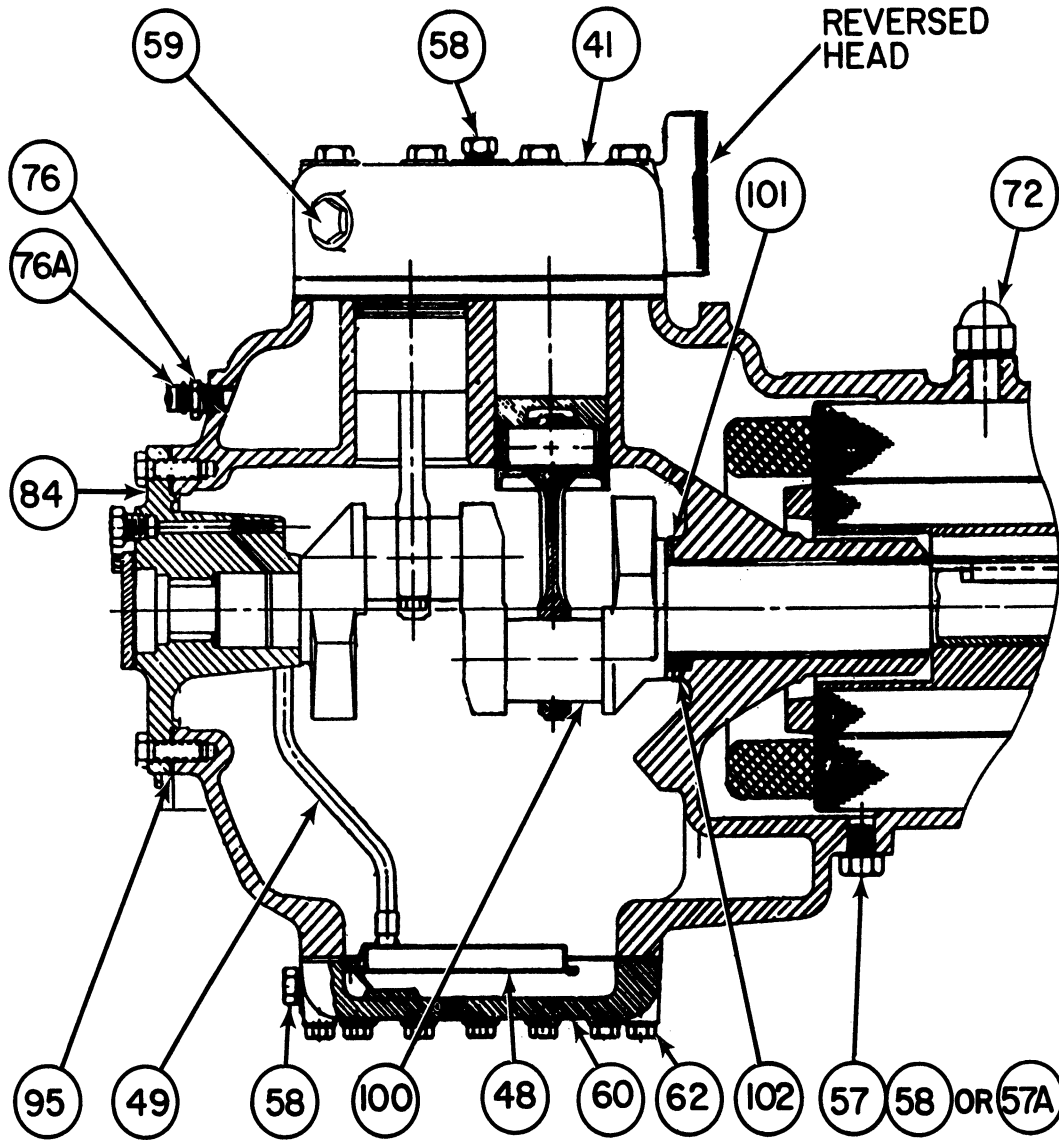




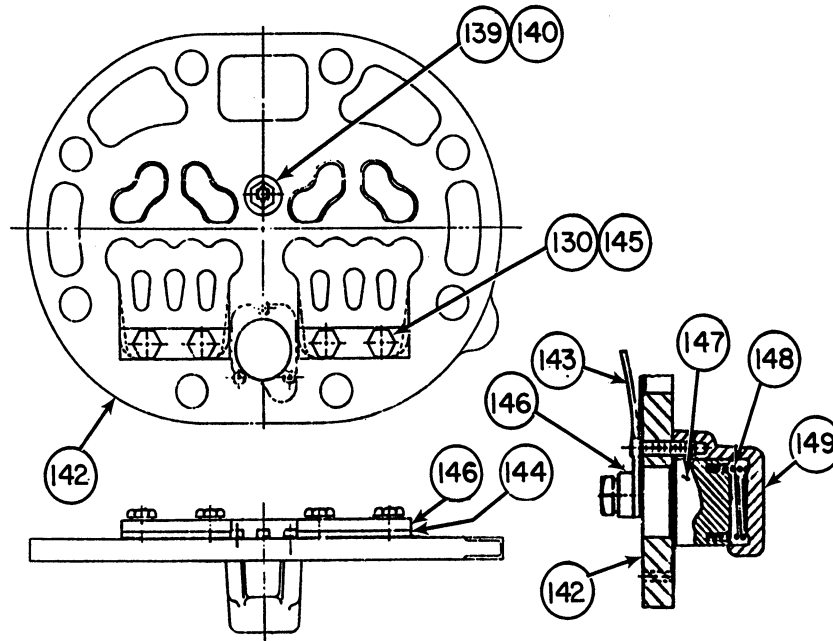
**06ET 6CYL**



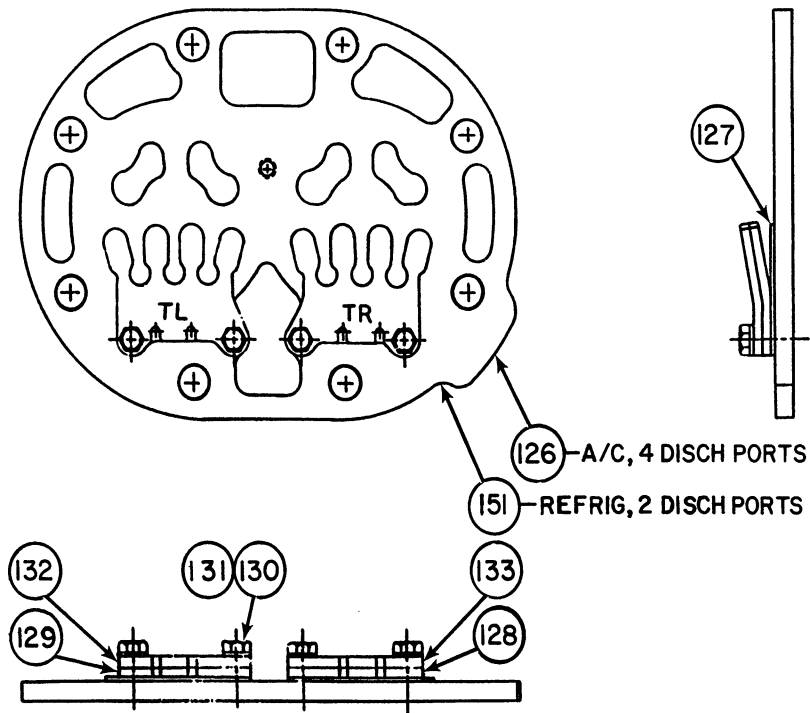
SECTION J-J



**6 CYLINDER W/REVERSED HEAD**

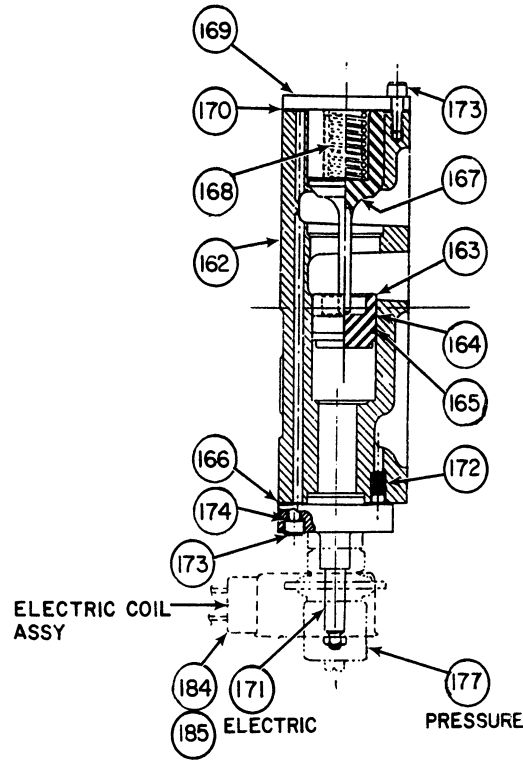


**HGBP UNLOADING VALVE PLATE**

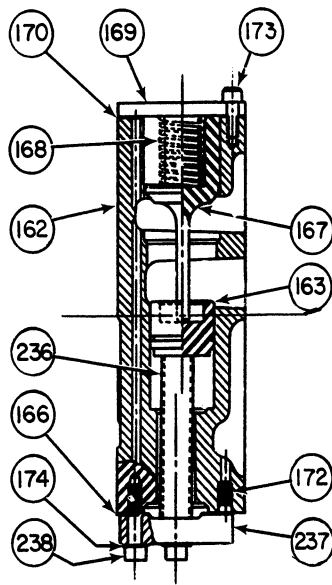


**HI-EFFICIENCY VALVE PLATE**





**SCOU**



**SCOU BLOCKING**

