
Index

Compressor General Notes	
06EA/06EX HGBP Models	2
06ET SCOU Models	4
06EY Refrigeration Models	6
Model No. Significance Chart	
06EA/EX	3
06ET	5
06EY	7
General Pictorial Descriptions & Details	8-17
Refrigeration Unit Pictorials	18-19
4 Cyl A/C, Med Temp Parts Breakdown	20-30
6 Cyl A/C, Med Temp Parts Breakdown	31-41
4 & 6 Cyl Refrigeration Parts Breakdown	42-50

06EA/EX General Notes

I. Service Replacement Compressor Nameplating:

06EB thru 06EN (with hot gas bypass unloading) are replaced by the 06EX. The 06EA and 06EF (no unloaders) were also replaced by the 06EX. But, starting in January 1983 beginning with serial number 0183J---, the 06EA and 06EF will be replaced by the 06ET high efficiency compressors. (See note VI for model number significance.)

II. Unloaders:

Both the four and six cylinder model 06EX compressors are shipped with a HGBP type valve plate on the right hand bank as viewed from pump end. Depending on availability the unloader cylinder head may or may not be included. If included and left as is, compressor operates fully loaded. If standard head is included you must replace with unloader head assembly from original compressor. If two unloaders were used (6 cyl only) the second unloader head and valve plate must be transferred or ordered. Note that unloader valves are not included on service model compressors.

III. Motor Protection:

All production compressors were built with cylinder head sensing motor protection starting in early 1981. Service replacement compressors were built with the cylinder head sensor but without the conduit to the terminal box. This replaces the previously used Robertshaw motor protection. Cylinder head sensing protection uses a six-bolt terminal plate. Robertshaw uses a ten-bolt terminal plate. Either type protection may be ordered but the cylinder head sensing is recommended.

IV. Parts Not Included:

All 06EX service compressors are shipped *without* service shut-off valves, terminal box, mounting hardware, or capacity control valves. These parts, and optional safety controls, may be ordered from this catalog or transferred from the original compressor.

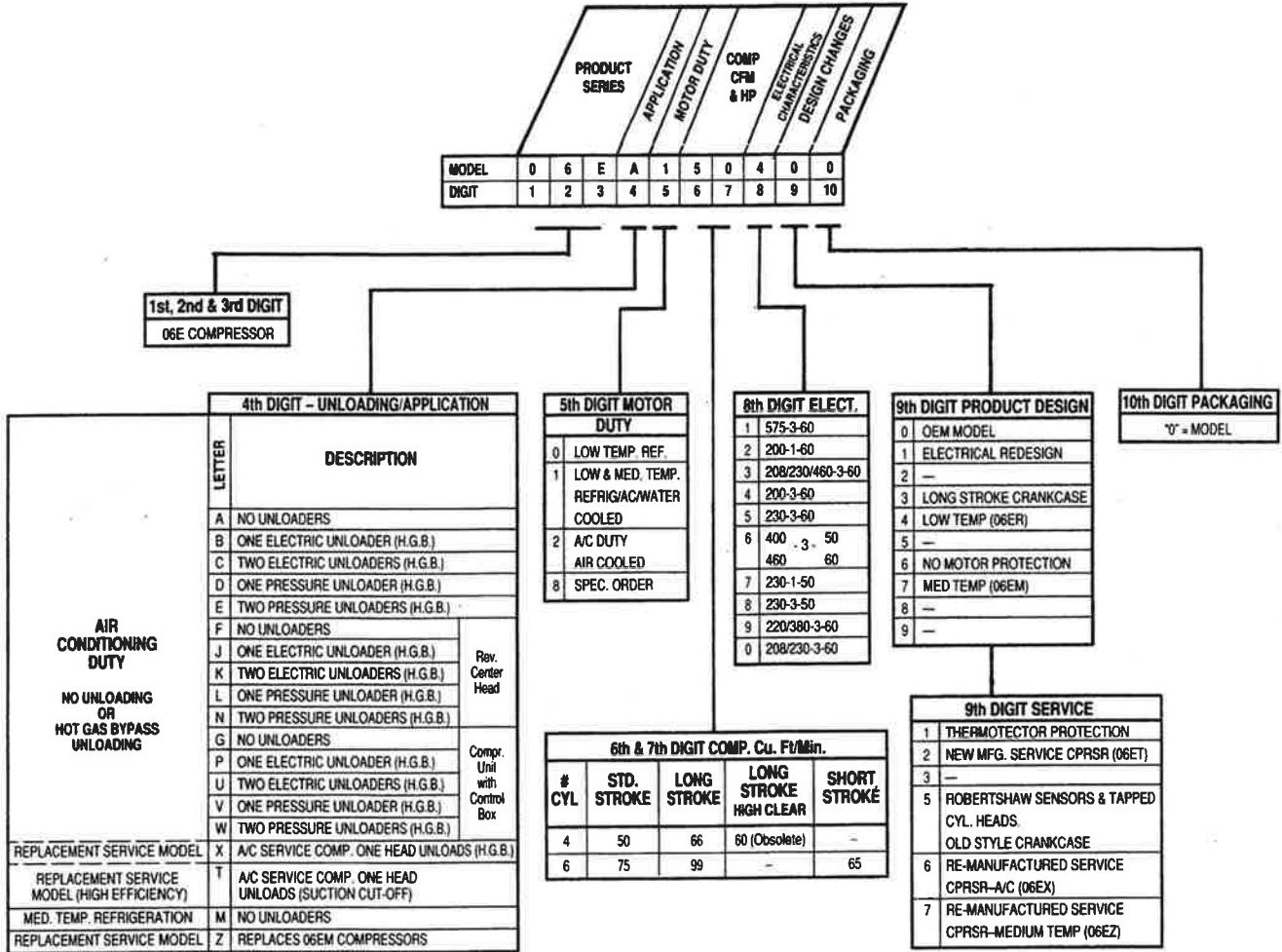
V. Terminal Plates:

Both the 6-bolt terminal plate (cylinder head sensing) and the 10-bolt terminal plate (Robertshaw) are available as replacements.

VI. Model and Motor Part Number Significance:

The following chart may be used to identify compressor features and select parts.

06E COMPRESSOR MODEL SIGNIFICANCE CHART 06EX W/HOT GAS BYPASS UNLOADING



H.G.B. = HOT GAS BYPASS UNLOADING

06ET General Notes

I. Service Replacement Compressor Nameplating:

06E2 thru 06E9 (high efficiency, suction cut-off unloading compressors) are replaced by and nameplated 06ET. Starting in January 1983 with serial number 0183J-----, the 06ET will also replace the 06EA and 06EF (no unloaders) which were formerly replaced by the 06EX. (See Model Number Significance, note V.)

II. Unloaders:

Both the four and six cylinder model 06ET compressors are shipped with one blanked off unloader cylinder head with blocking sleeve and blank off pad to operate fully loaded as received. The unloader head is located on the right hand bank as viewed from the pump end. For conversion in the field, the unloader elements should be kept available for the replacement compressor. If the original compressor has two unloaders, the second unloader must be ordered or transferred from the original compressor. Care must be taken to maintain the settings on unloader parts. (See 06EA600721 installation and start-up instructions packed in each service compressor package.)

III. Motor Protection:

All 06ET service compressors are equipped with cylinder head sensing motor protection. The compressors are shipped with the cylinder head sensor but without the conduit and wiring from the cylinder head to the terminal box. This conduit assembly must be ordered or transferred from the original compressor. (See items 187 & 188.)

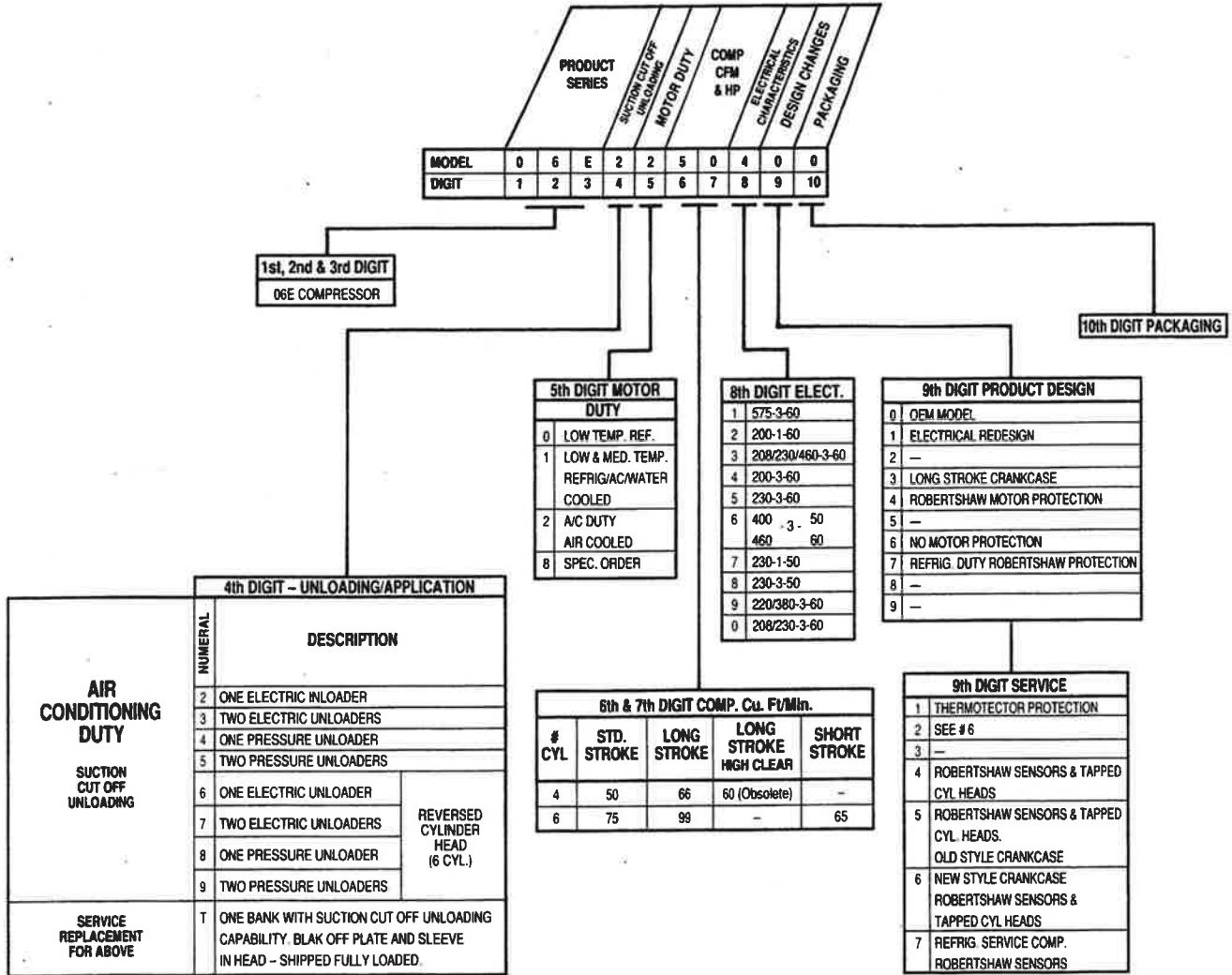
IV. Parts Not Included:

All 06ET service compressors are shipped *without* service shut-off valves, terminal box, mounting hardware, or capacity control valves. These parts, and optional safety controls, may be ordered from this catalog or transferred from the original compressor.

V. Model and Motor Part Number Significance:

The following chart may be used to identify 06ET compressor features and select parts.

06E COMPRESSOR MODEL SIGNIFICANCE CHART 06ET W/SUCTION CUTOFF UNLOADING



06ER/EY and 06EM/EZ General Notes

I. Service Replacement Compressor Nameplating:

06ER new production compressors are replaced by and nameplated 06EY.
06EM new production compressors are replaced by and nameplated 06EZ.

II. Parts Not Included:

All service replacement compressors are built *without* service shut-off valves or terminal box. The 06EY refrigeration compressor is built *without* the cylinder head cooling fan. If any of these parts on the original compressor are missing or damaged, replacement parts should be ordered at the same time as the replacement compressor.

III. Motor Protection:

In the fall of 1983 (starting with serial number 4583J-----) all production compressors were built with cylinder head sensing motor protection. Service replacement compressors were built with the cylinder head sensor but without the conduit to the terminal box. This replaces the previously used Robertshaw motor protection. Cylinder head sensing protection uses a six-bolt terminal plate. Robertshaw uses a ten-bolt terminal plate. Either type protection may be ordered but the cylinder head sensing is recommended.

IV. 208/230 Voltage:

In January of 1983 (starting with serial number 0183J-----) all discrete voltage compressors with 208-3-60 and 230-3-60 were replaced by the new extended voltage 208/230-3-60 compressor design. These new motors should be used as a replacement in the new extended voltage compressor.

V. Compressor Foot:

In the fall of 1976 (starting with serial number J605438) all 06ER/EY and 06EM/EZ compressors were built with the new thick foot to replace the "Z" foot. The new foot must be used for all replacement compressors.

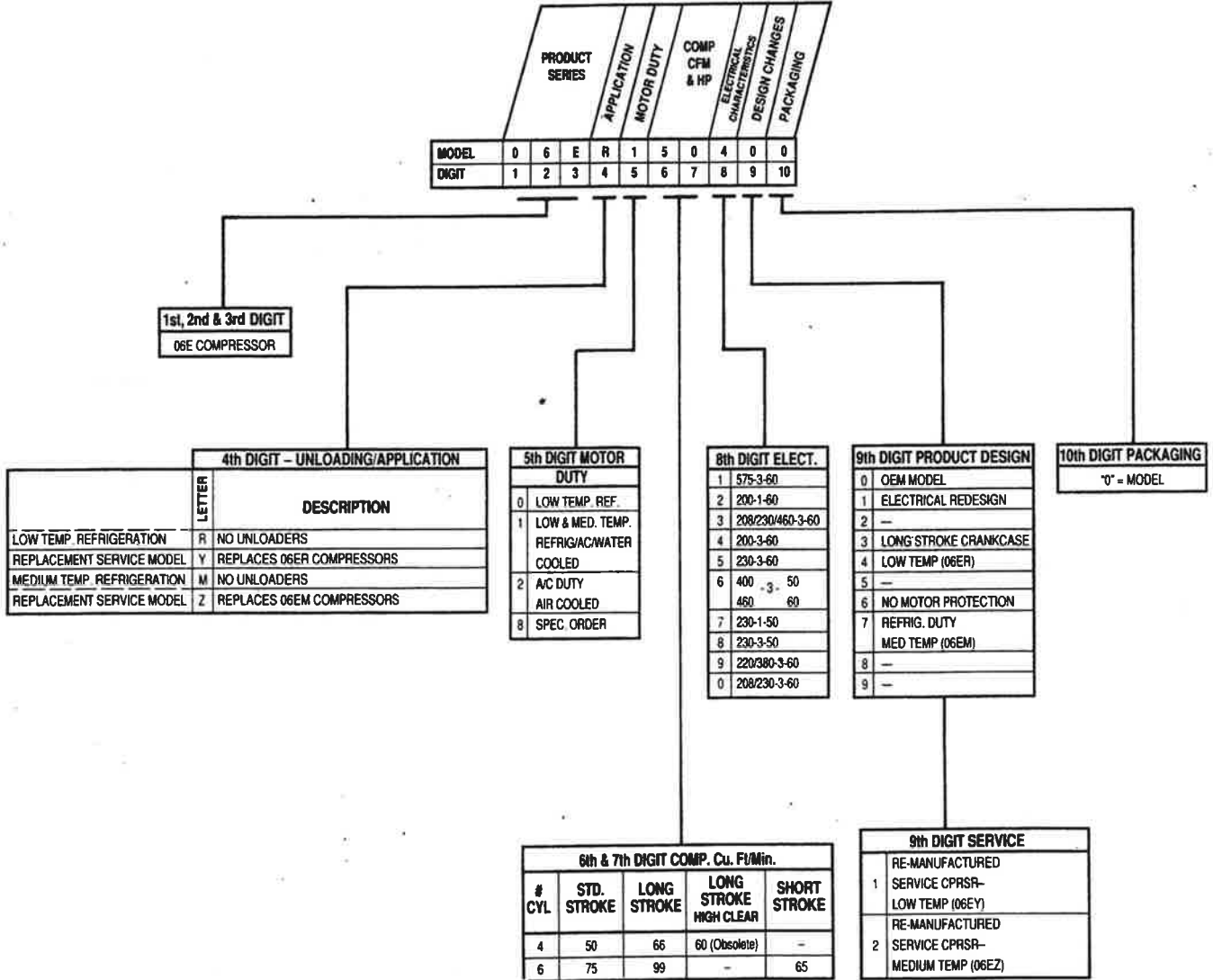
VI. Terminal Plates:

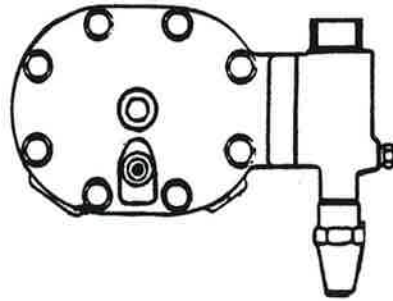
Both the 6-bolt terminal plate (cylinder head sensing) and the 10-bolt terminal plate (Robertshaw) are available as replacements.

VII. Model and Motor Part Number Significance:

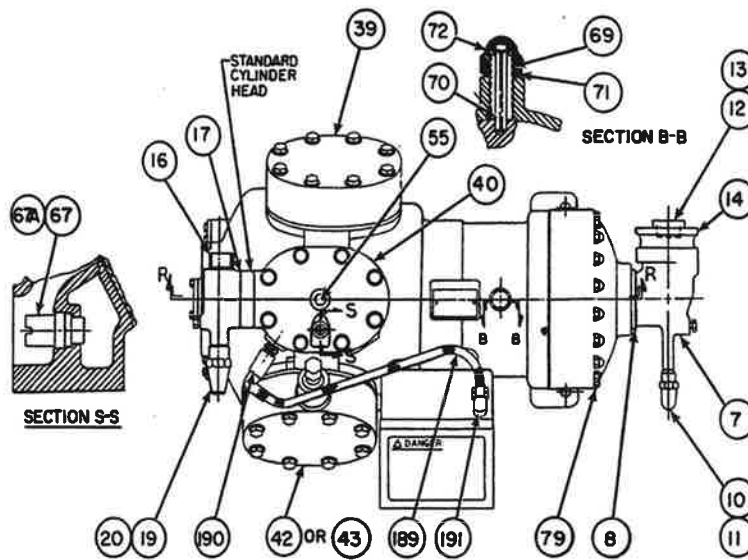
The following chart may be used to identify compressor features and select parts.

06E REFRIGERATION AND MEDIUM TEMPERATURE COMPRESSOR MODEL SIGNIFICANCE CHART

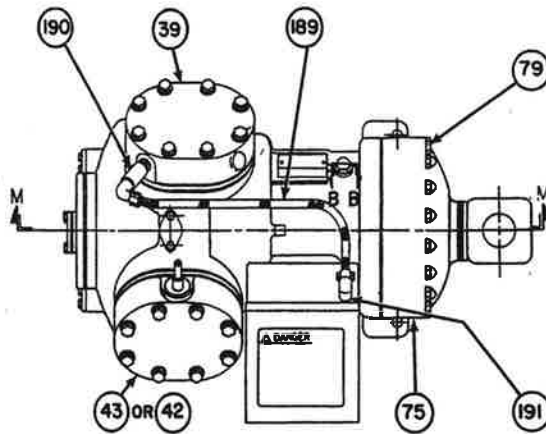




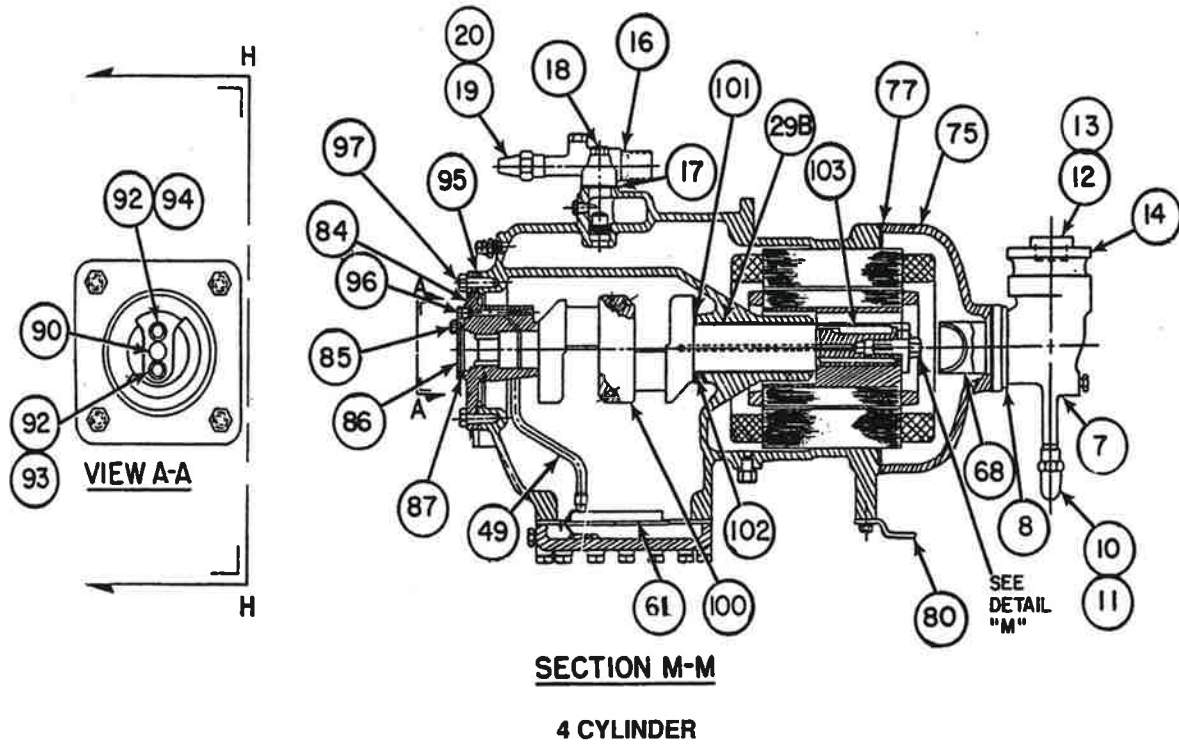
REVERSED HEAD

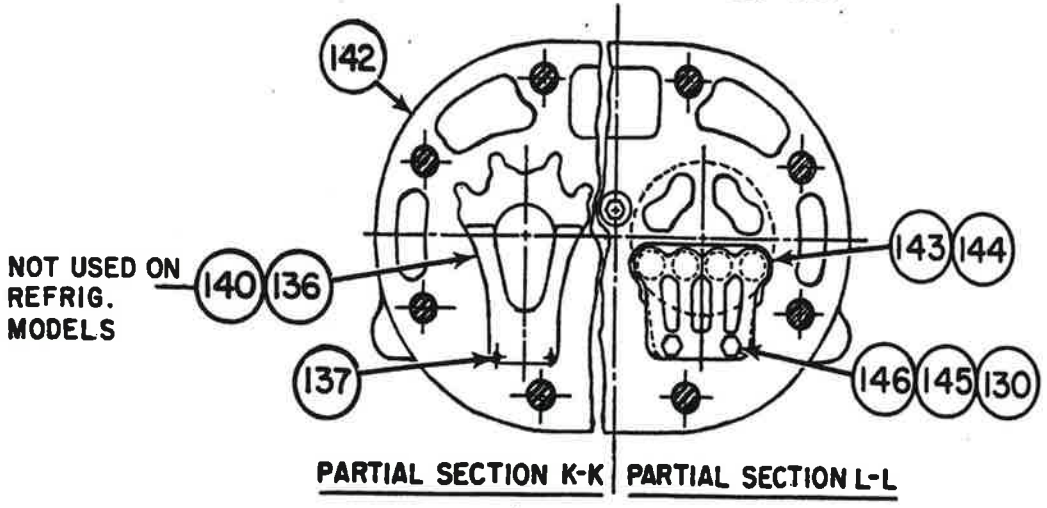
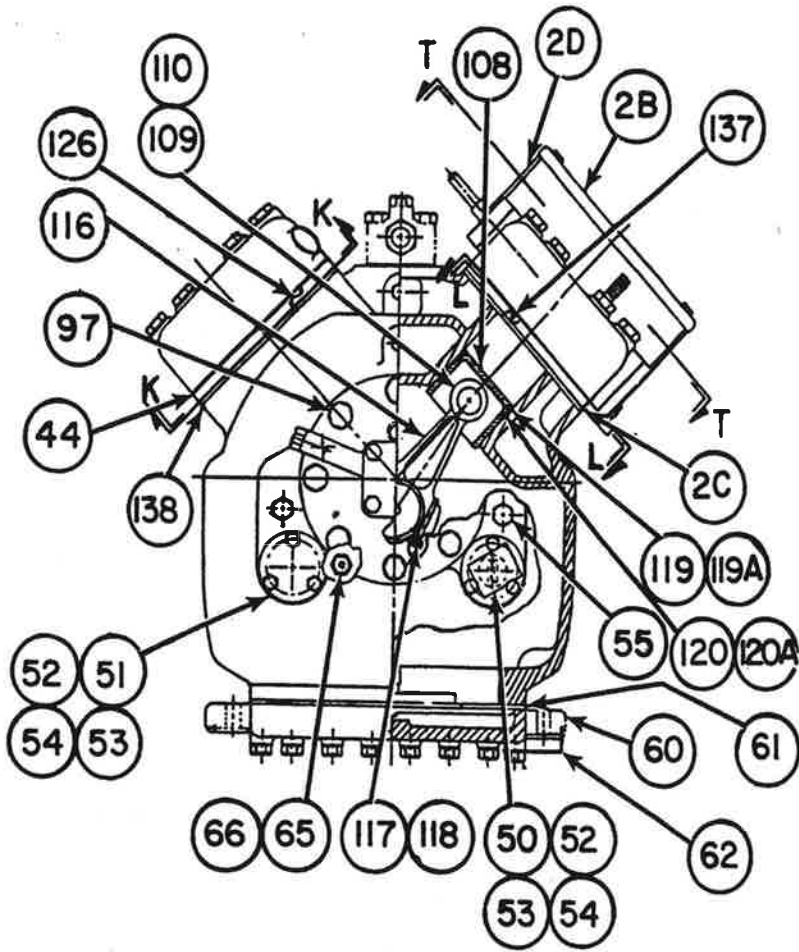


6 CYLINDER W/PRESSURE UNLOADER



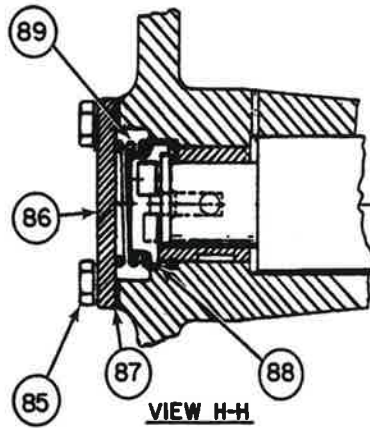
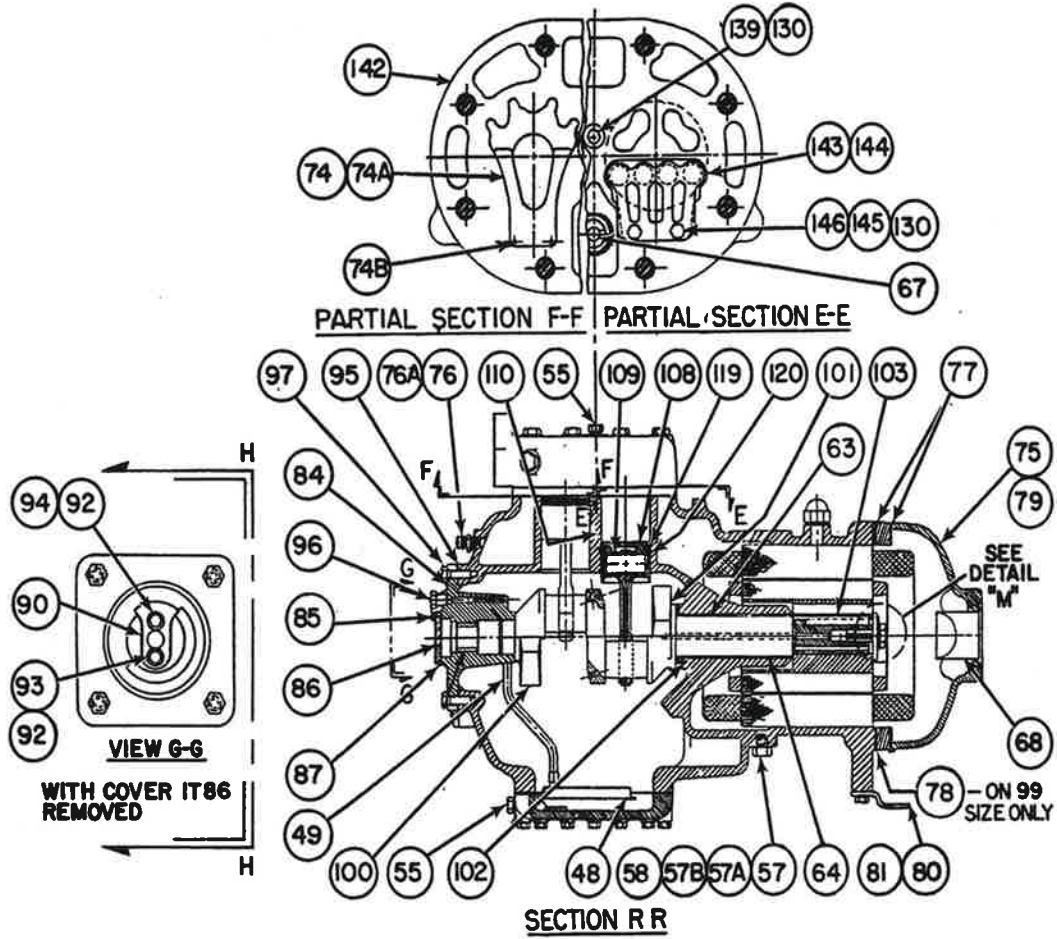
4 CYLINDER W/ELECTRIC UNLOADER

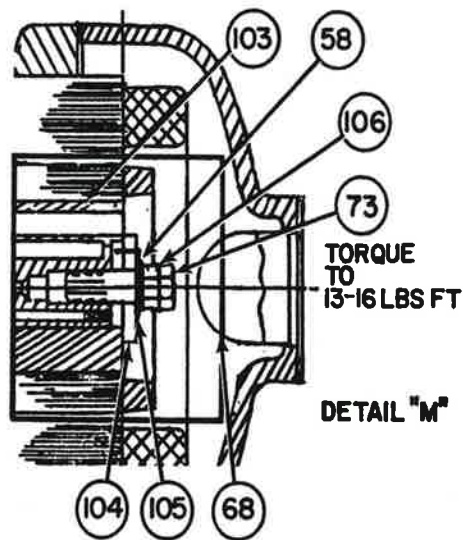
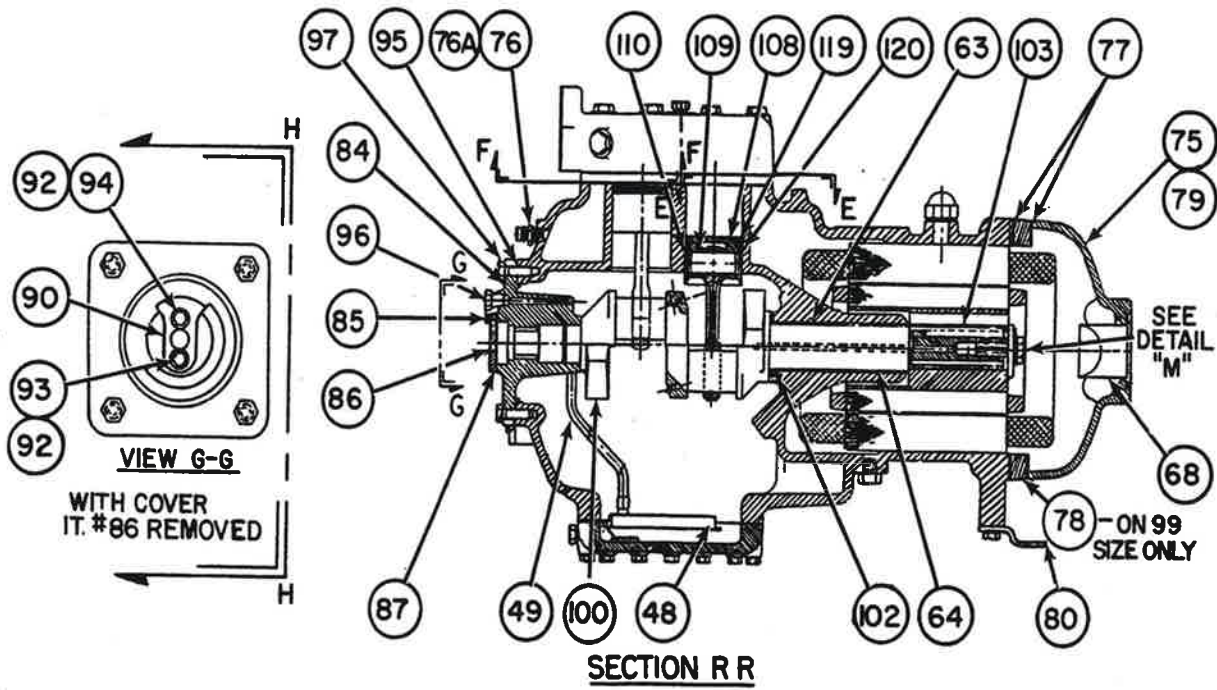


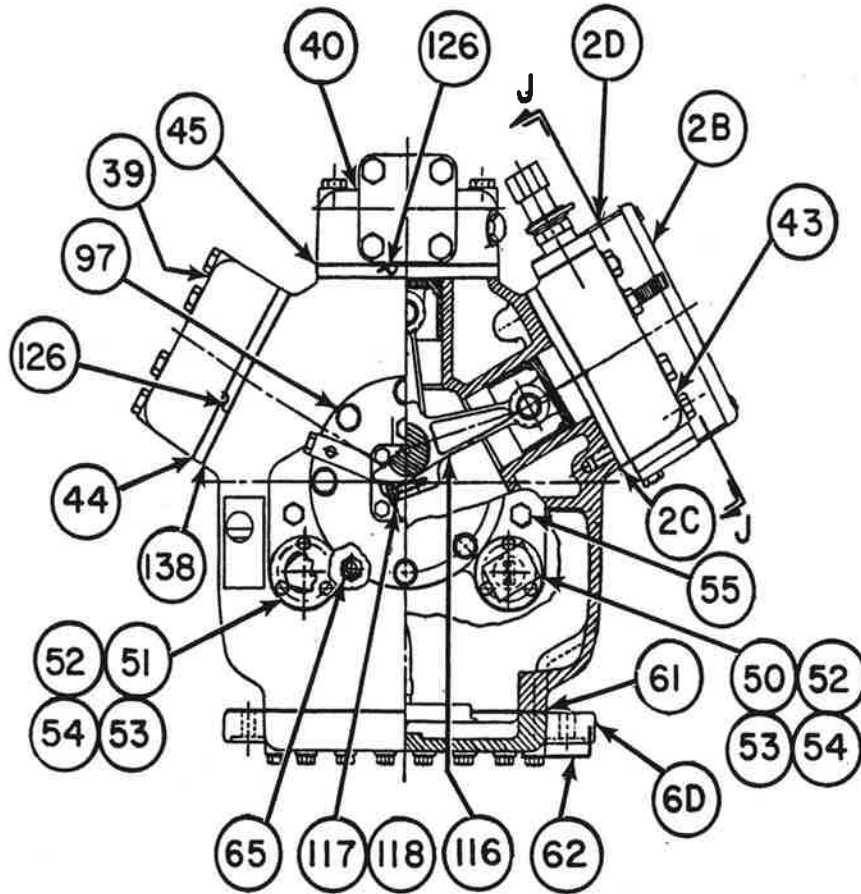


PARTIAL SECTION K-K PARTIAL SECTION L-L

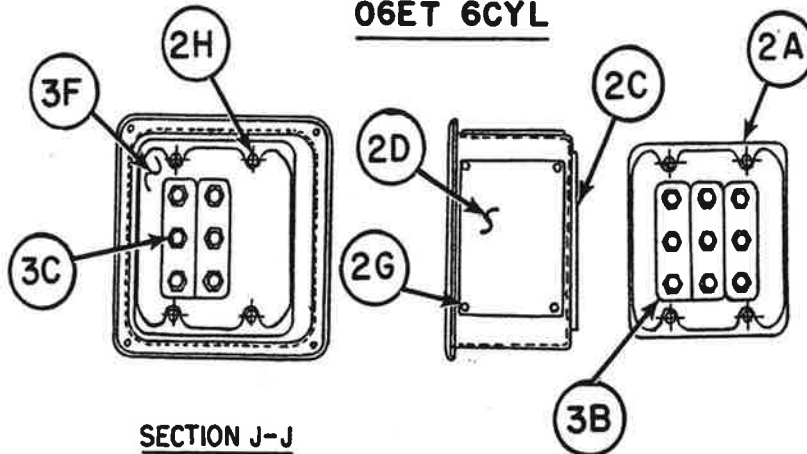
4 CYLINDER

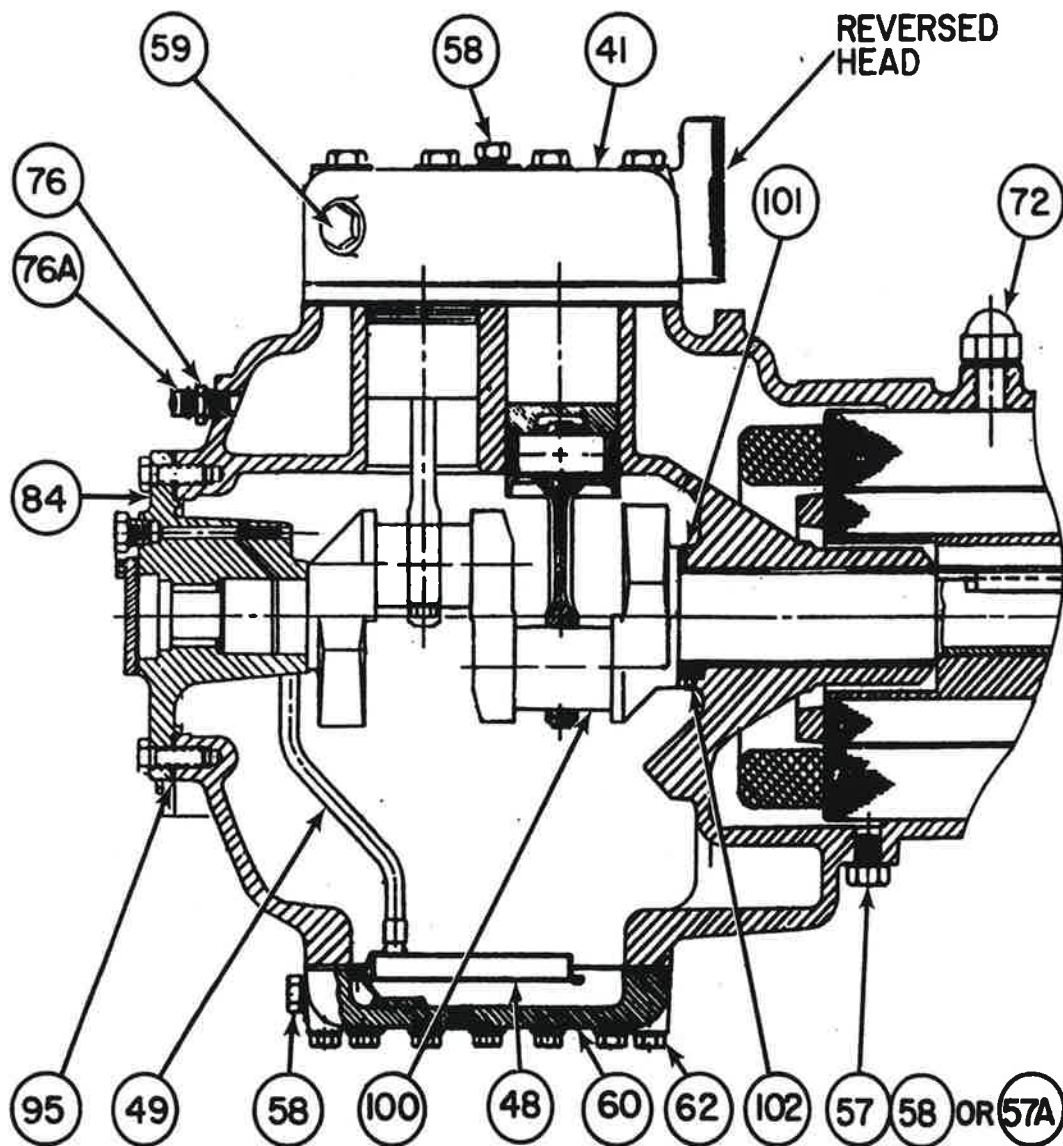




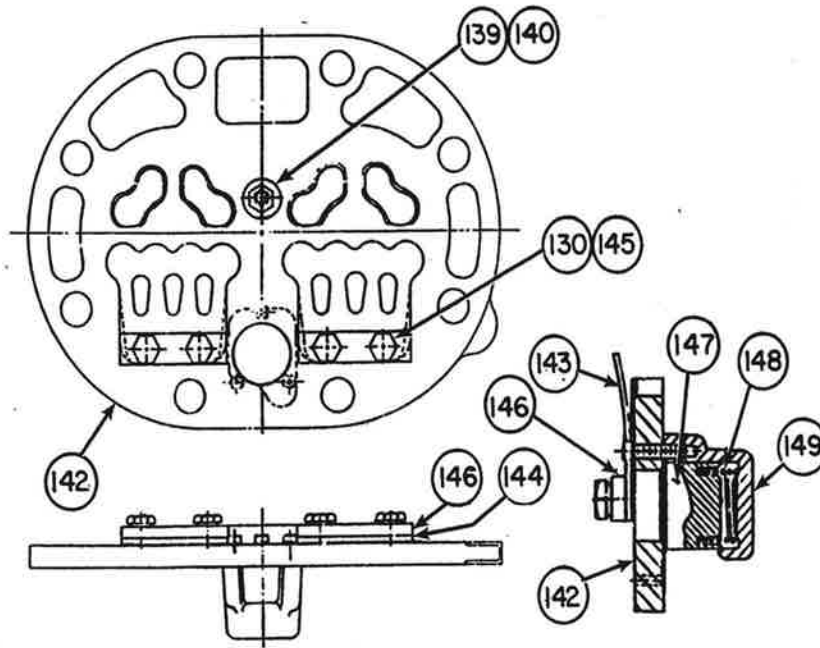


06ET 6CYL

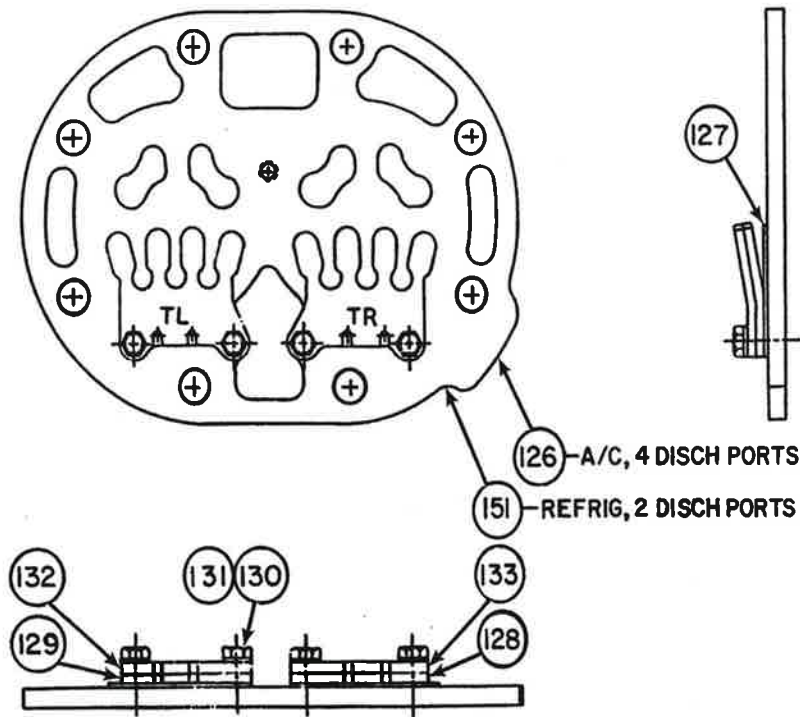




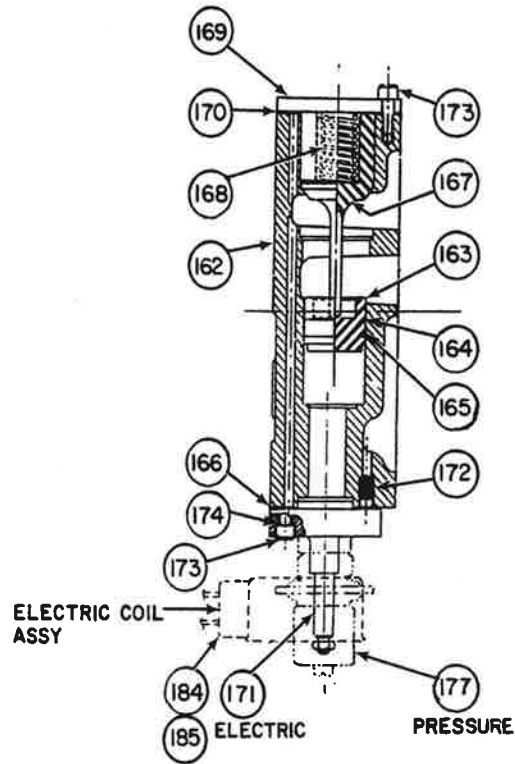
6 CYLINDER W/REVERSED HEAD



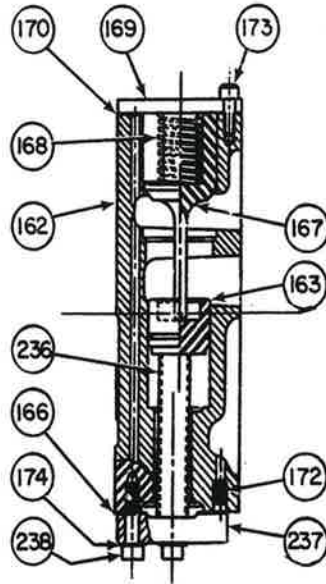
HGBP UNLOADING VALVE PLATE



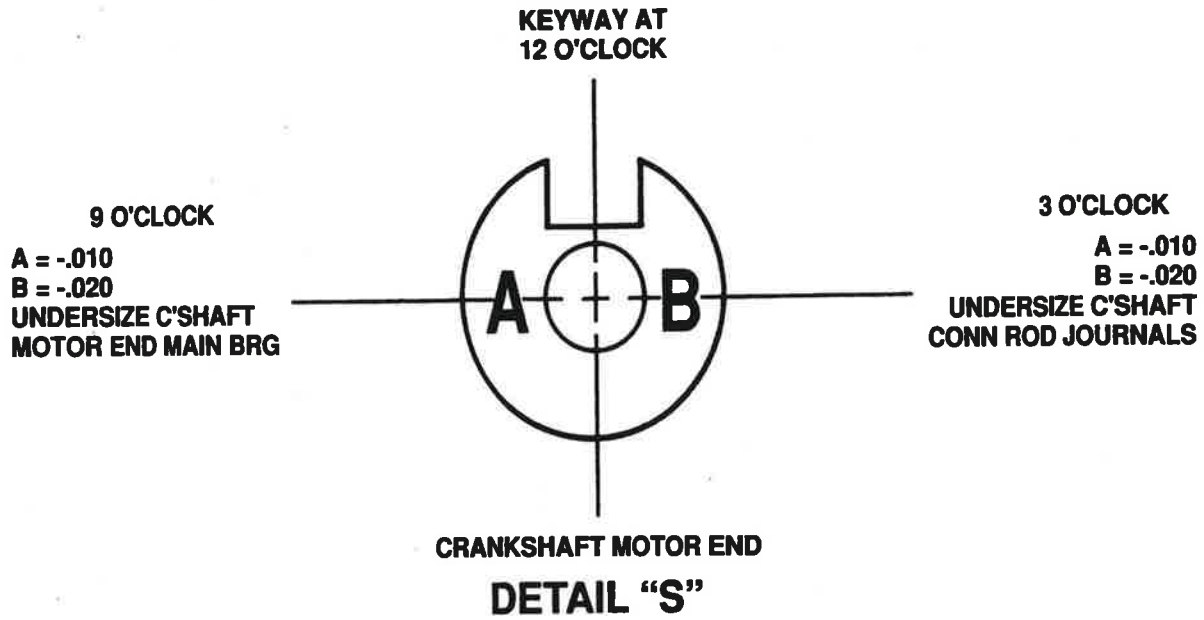
HI-EFFICIENCY VALVE PLATE

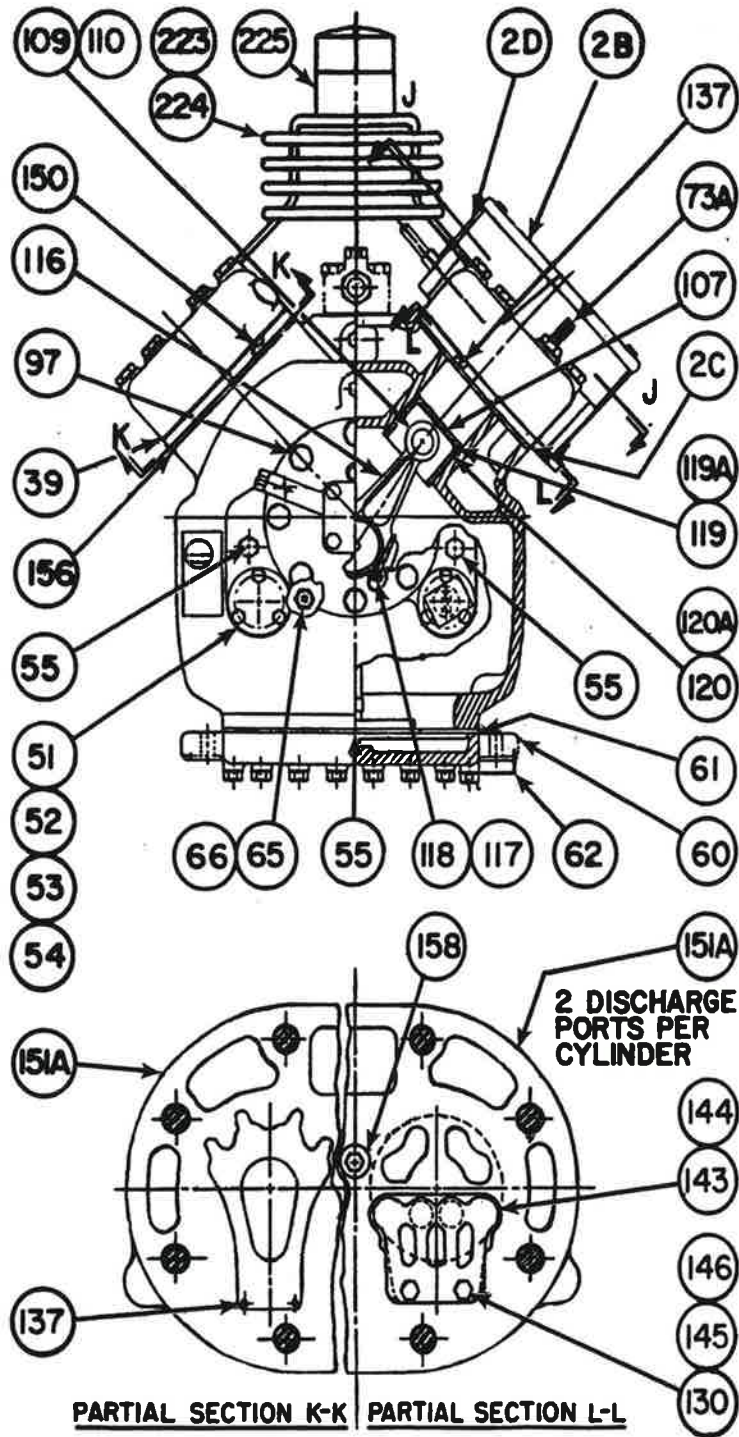


SCOU

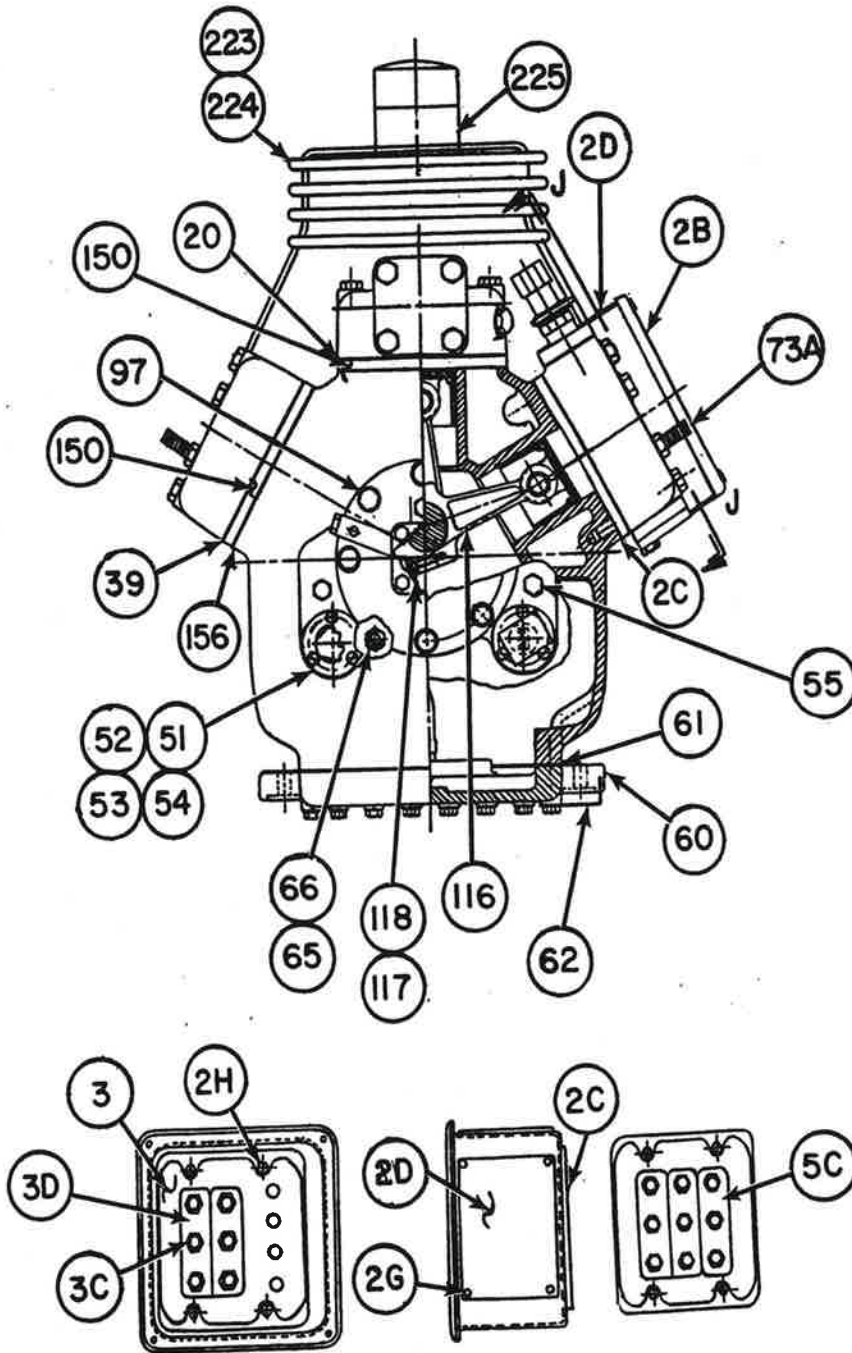


SCOU BLOCKING





**06E/EY
(4 CYLINDER)**



SECTION J-J

**06ER/EY
(6 CYLINDER)**

ITEM	PART DESCRIPTION	06E 150	06E 250	06E 266
		4 CYL	4 CYL	4 CYL
REPLACEMENT COMPRESSOR GROUP				
AIR COND STD EFFICIENCY				
HOT GAS BYPASS UNLOADING (EX)				
	575-3-60	06EX150160	06EX250160	06EX266160
	208/230-3-60	06EX150360	06EX250360	06EX266360
	460/400-3-60/50 XL	06EX150360	06EX250360	06EX266360
	460/400-3-60/50 PW	06EX150660PW	06EX250660PW	06EX266660PW
	230-3-50	X	X	X
	220/380-3-60	X	X	X
	415-3-50	X	X	X
IE: 06EX COMPRESSOR, SEE NOTE ON PAGE 2.				
AIR COND HIGH EFFICIENCY				
SUCTION CUTOFF UNLOADING (ET)				
	575-3-60	06ET1501()0	06ET2501()0	X
	208/230-3-60	06ET1503()0	06ET2503()0	X
	400/460-3-50/60 XL	06ET1503()0	06ET2503()0	X
	400/460-3-50/60 PW	06ET150660PW	06ET250660PW	X
	230-3-50	X	X	X
	220/380-3-60	06ET150920	06ET250920	X
	415-3-50	X	X	X
IE: 06ET COMPRESSOR, SEE NOTE ON PAGE 4.				
MEDIUM 7 HIGH TEMP REFRIF (EZ)				
	575-3-60	06EZ150170	X	06EZ266170
	208/230-3-60	06EZ150370	X	06EZ266370
	400/460-3-50/60 XL	06EZ150370	X	06EZ266370
	400/460-3-50/60 PW	06EZ150670PW	X	06EZ266670PW
	230-3-50	X	X	X
	230/380-3-60	X	X	X
	415-3-50	X	X	X
IE: 06EZ COMPRESSOR, SEE NOTE ON PAGE .				

NOTE: See "Catalog Notes" on last page for explanation of symbolism.

ITEM	PART DESCRIPTION	06E 150	06E 250	06E 266
		4 CYL	4 CYL	4 CYL
REPLACEMENT MOTOR PACKAGE				
	MOTOR HORSEPOWER	15	20	25
	575-3-60	06EX445174	06EX460154	06EX475174
	208-3-60	X	06EX460454	06EX475454
	230-3-60	X	06EX460554	06EX475554
	NOTE 208/230-460-3-60	06EX445314	06EX460314	06EX475314
	460/400-3-50/60 PW	06EX445654	06EX460654	06EX475654
	230-3-50	X	06EX460854	06EX475854
	220/380-3-60	X	06EX460914	06EX475914
06EX --- 54 MTRS HAVE 6 POWER & 4 R/S CONNS. 06EX --- 14 ARE 9 LEAD FOR MULTIVOLT MOTORS. 06E --- 74 HAVE 6 LEADS. NOTE: REFER TO PMB 87-13 THIS MULTI VOLT COMPR MOTOR REQUIRES A 9 PIN TERM.PLT.06EA660087 & JUMPER BAR KIT 06EA660141 FOR 208/230 XL OR P/W & 460 XL WIRING. THIS COMPRESSOR IS NOT FOR 460 PW. THE MOTOR INDICATED FOR 460/400-3-50/60 PW IS WHAT MUST BE ORDERED . THIS PW MOTOR REQUIRES THE TEN PIN TERMINAL PLATE IN 06EA660051 PKG.				
1	NI MOTOR BURNOUT KIT	06EA660072	→	→
	INCLUDES ITEMS 134-71			
134	SUCTION VALVE PKG(SEE PG.7)	06EA660104	→	→
17	GASKET,MOTOR END COVER	(2)6F25-1013	(2) →	(2) →
3A	GASKET,TERMINAL PLATE	6G45-1082	→	→
17	GASKET,DISCH.VALVE 2 BOLT	6D40-1131	→	→
8	GASKET,DISCH VALVE 4 BOLT	6D68-1131	→	→
8A	GASKET,SUCT. VALVE	6G65-1061	→	→
61	GASKET,BOTTOM COVER	6D68-1043	→	→
69	BUSHING,MOTOR LOCKING PIN	06EA500211	→	→
70	PIN,MOTOR LOCKING ROLL	AX14CP235	→	→
71	GASKET,WASHER	AU51YA012	→	→
TERMINAL BOX & PLATE GROUP				
2	NI TERMINAL BOX & COVER PKG	06EA660095	→	→
	INCLUDES ITEMS 2A-2H			
2A	TERMINAL BOX	NSS	→	→
2B	COVER,TERM BOX (W/LABELS)	NSS	→	→
2C	GASKET,TERMINAL BOX	06EA501203	→	→
2D	PLATE,COVER (NO KO'S)	06EA500512	→	→
2E	NI PLATE,COVER (3 KO'S)	NSS	→	→
2F	NI PLATE,COVER (NESTED KO'S)	NSS	→	→
2G	SCREW,THREAD CUTTING (#10-24)	(16)NSS	(16) →	(16) →
2H	SCREW,LOCK (1/4-28)	(4)NSS	(4) →	(4) →
3	NI TERMINAL PLATE PKG	06EA660087	→	→
	(9 PIN TERMINAL PLATE)			
	INCLUDES ITEMS 3A-3E			
3A	GASKET,TERMINAL PLATE	6G45-1082	→	→
3B	BLOCK,CONNECTOR (3 PIN FLAT)	(3)06LA500282	(3) →	(3) →
3C	NUT,STEEL JAM (3/8-16)	(18)AT14QA241	(18) →	(18) →
3E	PLATE ASSY,TERMINAL (9 PIN)	NSS	→	→
3	NI TERMINAL PLATE PKG	06EA660125	→	→
	(6 PIN TERMINAL PLATE)			
	INCLUDES ITEMS 3A-3F			
3A	GASKET,TERMINAL PLATE	6G45-1082	→	→
3D	BARRIER,PHASE (3 PIN)	(2)06EA500672	(2) →	(2) →
3C	NUT,STEEL JAM (3/8-16)	(12)AT14QA241	(12) →	(12) →
3F	PLATE ASSY,TERMINAL (6 PIN)	NSS	→	→

NOTE: See "Catalog Notes" on last page for explanation of symbolism.

ITEM	PART DESCRIPTION	06E 150	06E 250	06E 266
		4 CYL	4 CYL	4 CYL
TERMINAL BOX & PLATE GROUP CONT'D				
3	NI TERMINAL PLATE PKG	06EA660051	→	→
	10 PIN TERMINAL PLATE			
	(6 POWER LEADS & 4 ROBT/SHAW)			
	INCLUDES ITEMS 3A-3G			
3A	GASKET, TERMINAL PLATE	6G45-1083	→	→
3C	NUT, STEEL JAM (3/8-16)	(12)AT140A241	(12) →	(12) →
3D	BARRIER, PHASE (3 PIN)	(2)06EA500672	(2) →	(2) →
3G	PLATE ASSY, TERMINAL(10 PIN)	NSS	→	→
4	TERM LUGS(6 PAC)(#8-#4 WIRE)	HY85TB008	→	→
5	NI JUMPER BAR KIT(SEE PMB 87-13)	06EA660141	→	→
	(FOR USE ON MULTI-VOLT COMPR)			
	INCLUDES ITEMS 5A-5E			
5A	NI BAR, JUMPER (2 HOLE)	(3)NSS	(3) →	(3) →
5B	NI BAR, JUMPER (3 HOLE)	NSS	→	→
5C	NI BLOCK CONNECTOR (3 PIN)	06LA500282	→	→
5D	NI NUT, STEEL JAM (3/8-16)	(9)AT140A241	(9) →	(9) →
5E	NI LABEL, WIRING	NSS	→	→
SERVICE VALVE GROUP				
6	NI SUCTION VALVE PKG (AIR/COND)	06EA660090	→	→
	INCLUDES ITEMS 7-11B			
7	SERVICE VALVE, 1 5/8 ODS 4 BOLT	EN07EA041	→	→
8	GASKET, SERVICE VALVE	6D68-1131	→	→
9	NI SCREW, HEX HEAD CAP	(4)NSS	(4)NSS	(4)NSS
10A	CAP, VALVE (MUELLER)	EN99ZA006	→	→
10B	CAP, VALVE (HENRY)	EN99ZA013	→	→
11A	GASKET, VALVE CAP(MUELLER)	EN99ZA103	→	→
11B	GASKET, VALVE CAP(HENRY)	X	X	X
6	NI SUCTION VALVE PKG (MED TEMP)	06EA660091	X	06EA660091
	INCLUDES ITEMS 7A-14			
7A	SERVICE VALVE(2-1/8ODS 4-BOLT)	EM13FE051	X	EM13FE051
8A	GASKET, VALVE	6G65-1061	X	6G65-1061
9A	NI SCREW, HEX HEAD CAP	(4)NSS	X	(4)NSS
10C	CAP, VALVE (MUELLER)	EN99ZA009	X	EN99ZA009
10D	CAP, VALVE (HENRY)	EN99ZA022	X	EN99ZA022
11C	GASKET, VALVE CAP (MUELLER)	EN99ZA117	X	EN99ZA117
11D	GASKET, VALVE CAP (HENRY)	X	X	X
12	ADAPTER, TAILPIECE(MUELLER)	EM99ZA516	X	EM99ZA516
13	GASKET, ADAPTER (MUELLER)	EM99EA516	X	EM99EA516
14	FLANGE, COMPANION (MUELLER)	EM99FA516	X	EM99FA516

NOTE: See "Catalog Notes" on last page for explanation of symbolism.

ITEM	PART DESCRIPTION	06E 150	06E 250	06E 266
		4 CYL	4 CYL	4 CYL
SERVICE VALVE GROUP CONT'D				
15	NI DISCHARGE VALVE PKG (AIR/COND)	06DA660064	→	→
	INCLUDES ITEMS 16-20B:			
16	VALVE, SERVICE 1 1/8 ODS, 2 BOLT	EN07AA348	→	→
17	GASKET, SERVICE VALVE	6D40-1131	→	→
18	SCREW, HEX HEAD CAP	(2)NSS	(2) →	(2) →
19A	CAP, VALVE (MUELLER)	EN99ZA006	→	→
19B	CAP, VALVE (HENRY)	EN99ZA013	→	→
20A	GASKET, VALVE CAP(MUELLER)	EN99ZA103	→	→
20B	NI GASKET, VALVE CAP(HENRY)	X	X	X
15	NI DISCHARGE VALVE PKG(A/C)(ALT)	X	X	X
	INCLUDES ITEMS 21-25B			
21	VALVE, SERVICE 1 1/5/8 ODS, 4-BOLT	X	X	X
22	GASKET, SERVICE VALVE	X	X	X
23	NI SCREW, HEX HEAD CAP	X	X	X
24A	NI CAP, VALVE (MUELLER)	X	X	X
24B	NI CAP, VALVE (HENRY)	X	X	X
25A	NI GASKET, VALVE CAP(MUELLER)	X	X	X
25B	NI GASKET, VALVE CAP(HENRY)	X	X	X
15	NI DISCHARGE VALVE PKG (MED TEMP)	06DA660064	X	06DA660064
	INCLUDES ITEMS 16-20B			
16	VALVE, SERVICE 1 1/8 ODS, 2 BOLT	EN07AA348	X	EN07AA348
17	GASKET, VALVE	6D40-1131	X	6D40-1131
18	NI SCREW, HEX HEAD CAP	(2)NSS	X	(2)NSS
19A	NI CAP, VALVE (MUELLER)	EN99ZA006	X	EN99ZA006
19B	NI CAP, VALVE (HENRY)	EN99ZA013	X	EN99ZA013
20A	NI GASKET, VALVE CAP(MUELLER)	EN99ZA103	X	EN99ZA103
20B	NI GASKET, VALVE CAP(HENRY)	X	X	X
15	DISCHARGE VALVE PKG (MED TEMP)	X	X	X
	INCLUDES ITEMS 26-30B			
26	VALVE, SERVICE 1-5/8 ODS, 4 BOLT	X	X	X
27	GASKET, VALVE	X	X	X
28	SCREW, HEX HEAD CAP	X	X	X
29A	CAP, VALVE (MUELLER)	X	X	X
29B	CAP, VALVE (HENRY)	X	X	X
30A	NI GASKET, VALVE CAP(MUELLER)	X	X	X
30B	NI GASKET, VALVE CAP(HENRY)	X	X	X

NOTE: See "Catalog Notes" on last page for explanation of symbolism.

ITEM	PART DESCRIPTION	06E 150	06E 250	06E 266
		4 CYL	4 CYL	4 CYL
COMPRESSOR BODY GROUP				
36	NI PAINT (SEA FOAM GREEN)	PH23QK001	→	→
37	NI GASKET PACKAGE (AIR/COND) #	06EA660071	→	→
38	NI GASKET PACKAGE (MED TEMP) ##	06ER660009	X	06ER660009
39	HEAD,CYL(SIDE)W/1/4 & 1/2 NPT	(2)06EA502064	(2) →	(2) →
40	HEAD,CTR CYL(STD) W/1/2 NPT	X	X	X
41	HEAD,CTR CYL(REV) W 1/2 NPT	X	X	X
42	HEAD,UNLOADER CYL (H G B P)	06EA500304	→	→
43	HEAD,UNLOADING CYL (S C O U)	06EA503524	→	→
44	GASKET,CYLINDER HEAD (PLAIN)	06EA503304	→	→
45	GASKET,CYLINDER HEAD (CENTER)	X	X	X
46	GASKET,CYLINDER HEAD (H G B P)	06EA503314	→	→
47	GASKET,CYLINDER HEAD (S C O U)	06EA503334	→	→
48	SCREEN ASSY,OIL FILTER	6D40-103	→	→
49	TUBE,OIL SUCTION	06EA500233	→	→
50	GLASS,OIL SIGHT(W/'O" RING GRV)	KM39BN010	→	→
51	CVR,BLANK OFF(W/'O" RING GRV)	06EA501212	→	→
52	'O" RING (1 1/2" O.D.)	(2)KK71GW015	(2) →	(2) →
53	SCREW,HEX HEAD CAP	(6)AB06GR169	(6) →	(6) →
54	WASHER,LOCK 1/4	(6)AU61ML171	(6) →	(6) →
55	PLUG,PIPE 1/4 NPT	(5)CA63AA051	(5) →	(5) →
56	PLUG,PIPE 1/2 NPT	(3)CA63AA101	(3) →	(3) →
57	PLUG,OIL BYPASS 5/8-18 UNF	5H40-1141	→	→
57A	ADAPTER 5/8-18 UNF TO 1/4 FPT	5F20-1311	→	→
57B	DRAIN PLUG,MAGNETIC 5/8-18	(2)CA99AA101	(2) →	(2) →
58	WASHER,GASKET 5/8 (7/8 O.D.)	(2)AU51YA011	(2) →	(2) →
60	COVER,BOTTOM	6D68-1274	→	→
61	GASKET,BOTTOM COVER	6D68-1043	→	→
62	BRACKET,C'CASE HEATER	06EA501142	→	→
63	BEARING,MAIN (PUMP END)	06EA500352	→	→
64	BEARING,MAIN (MOTOR END)	06EA500362	→	→
65	ORIFICE ASSY,OIL RETURN	06EA400982	→	→
	INCLUDES ITEM 66:			
66	STRAINER	6D75-601	→	→
67	VALVE,INTERNAL RELIEF	EB51FN272	→	→
67A	GASKET,INTERNAL RELIEF VALVE	6G65-1251	→	→
68	STRAINER ASSY,SUCTION	06DA402133	→	06EA402133
69	BUSHING,MOTOR LOCKING PIN	06EA500211	→	→
70	PIN,MOTOR LOCKING ROLL	AX14CP235	→	→
71	GASKET,ACORN NUT (3/4)	AU51YA012	→	→
72	NUT,ACORN 3/4-16	AT27MA363	→	→
73	VALVE ASSY,CHECK (SHAFT END)	6D40-162	→	→
INSTALLED IN MOTOR END OF ROTOR BOLT (IT #106) WHEN COMPRESSORS INTER-CONNECTED. (ALSO SEE PMB89-82 DTD 5/30/89)				
74	NI SPACER,RING (3/4" WIDE) NOTE	06EA500342	→	→
NOTE: USED IN OLDER MODEL COMPRESSORS BETWEEN ROTOR AND CRANKCASE, REMOVE IF REPLACING MOTOR.				
75	NI COVER,MOTOR END (AIR COND)	06EA502242	→	→
75	COVER,MOTOR END(MED TEMP)	06EA500094	X	06EA500094
76	VALVE ASSY	06DA403844	→	→
76A	CAP,VALVE	DD19CA061	→	→
77	GASKET,MOTOR END COVER	6F25-1013	→	→
78	SPACER,MOTOR END (1" THK)	X	X	X
79	BOLT,MOTOR END COVER MTG	(18)AA06BR271	(18) →	(18) →
80	FOOT,COMPRESSOR (AIR/COND)	06EA500052	→	→
81R	FOOT,COMPRESSOR (MED TEMP)	06EA501172	X	06EA501172
#06EA660061 GASKET PKG. INCLUDES ITEMS 2C,3A,8,52,54,58,61,67A,71,77,87,91,93,95,134,166 & 209. QUANTITIES FOR ANY SIZE COMP. ARE INCLUDED.				
##06ER660009 GASKET PACKAGE CONTAINS ITEMS 3A,8A,17,52,58,61,67A,71,77,87,91,93,94,95,154,166 & 209. QUANTITIES FOR ANY SIZE COMP'R INCL.				

NOTE: See "Catalog Notes" on last page for explanation of symbolism.

ITEM	PART DESCRIPTION	06E 150	06E 250	06E 266
		4 CYL	4 CYL	4 CYL
PUMP END GROUP				
82	NI BEARING HEAD PKG	06EA660001	→	→
NOTE: BRG. HEAD HAS 1/4 NPT CONN FOR OIL SAFETY SWITCH WHICH IS NOT INC.				
INCLUDES ITEMS 84-96				
84	BEARING HEAD ASSY	NSS	→	→
85	SCREW, HEX HEAD	(4)AA06GR199	(4) →	(4) →
86	COVER, PUMP END	7J1-6002	→	→
87	GASKET, PUMP END COVER	6D40-1061	→	→
88	GUIDE VANE, OIL FEED	6D40-1171	→	→
89	SPRING, OIL FEED GUIDE VANE	6D40-1112	→	→
90	DRIVE SEGMENT, OIL PUMP	6D40-1191	→	→
91	WASHER, CAPSCREW	(4)AU51YA003	(4) →	(4) →
92	SCREW, SOCKETHEAD CAP	(2)NSS	(2) →	(2) →
93	LOCKWASHER #10	AU61ML131	→	→
94	LOCKWASHER 1/4	AU61ML171	→	→
95	GASKET, BEARING HEAD	06EA501513	→	→
96	PLUG, PIPE 1/4 NPT	CA63AA051	→	→
97	SCREW, HEXHEAD CAP (7/16-14)	(8)AA06BR262	(8) →	(8) →
DRIVE TRAIN GROUP				
100	CRANKSHAFT ASSY (INC'L HDW'R)	06EA401993	→	06EA400693
100A	CRANKSHAFT ASSY (.010 UNDERSIZE)	06EA401993S1	→	06EA400693S1
NOTE: UNDERSIZED CRANKSHAFTS CAN BE IDENTIFIED BY "A" STAMPED ON PUMP END OF SHAFT OR BY REFERRING TO DETAIL "S" ON PG. 17 OF THIS CATALOG.				
101	WASHER, BEARING (3" DIA. BRONZE)	06EA500101	→	→
102	PIN, CRANKSHAFT SPIROL 5/32X5/8	AX13AA091	→	→
103	KEY, ROTOR (3/8 SQ X 2 3/4)	AWD1DA224	→	→
104	PLATE WASHER, ROTOR (2-1/4 DIA)	06EA500171	→	→
105	LOCKWASHER, ROTOR (5 POINT)	06EA500141	→	→
106	BOLT, ROTOR LOCK (5/8-11X1-3/4)	06EA500341	→	→
107	NI PISTON & PIN PKG	(4)06EA660109	(4) →	(4)06EA660109
INCLUDES ITEMS 108-110				
108	PISTON (2 STEP CONTOUR TOP)	NSS	→	→
109	PIN, PISTON	06EA500111	→	→
110	RING, PISTON PIN RETAINING	(2)06EA500131	(2) →	(2) →
107A	NI PISTON & PIN PKG + .020	06EA660111	→	06EA660111
INCLUDES ITEMS 108-110				
108A	PISTON (2 STEP CONTOUR TOP)	NSS	→	→
109	PIN, PISTON	06EA500111	→	→
110	RING, PISTON PIN RETAINING	(2)06EA500131	(2) →	(2) →
NOTE: QUANTITY OF OVERSIZED PISTONS REQUIRED DETERMINED BY NUMBER OF CYLINDERS WITH A .020 I.D. STAMPED ON CYL DECK ADJACENT TO EACH OF ANY OVERSIZED CYLINDERS. CHECK ALL; ONLY 1,2 OR 3 MAY BE OVERSIZE.				
115	NI CONN ROD & CAP PKG	(4)06EA660034	(4) →	(4)06EA660026
INCLUDES ITEMS 116-118:				
116	CONN ROD & CAP	NSS	→	→
117	SCREW, SELF LOCK SOCKET CAP	(2)06EA501833	(2) →	(2) →
118	WASHER, FLAT	(2)AU04AA266	(2) →	(2) →

NOTE: See "Catalog Notes" on last page for explanation of symbolism.

ITEM	PART DESCRIPTION	06E 150	06E 250	06E 266
		4 CYL	4 CYL	4 CYL
DRIVE TRAIN GROUP CONT'D				
115	NI CONN ROD & CAP PKG(-.010)	(4)06EA660085	(4) →	(4)06EA660086
	INCLUDES ITEMS 116-118			
116	CONN ROD & CAP	NSS	→	→
117	SCREW,SELF LOCK SOCKET CAP	(2)06EA501833	(2) →	(2) →
118	WASHER	(2)AU04AA266	(2) →	(2) →
119	RING PACKAGE,OIL (PKG OF 12)	06EA660010	→	→
119A	RING PKG,OIL(+ .020)(PKG OF 12)	06EA660011	→	→
120	RING PKG,COMPRESS. (PKG OF 12)	06EA660081	→	→
120A	RING PKG,COMPRESS(+ .020)12 PCS	06EA660082	→	→
VALVE PLATE GROUP				
125	NI VALVE PLATE PKG (HI-EFFIC)	(2)06EA660137	(2) →	(2) →
	(NON-UNLOADING OR S C O U)			
	INCLUDES ITEMS 126-140			
126	VALVE PLATE ASSY	NSS	→	→
	INCLUDES ITEM 127-133			
127	VALVE,DISCHARGE	(2)06EA504914	(2) →	(2) →
128	VALVE STOP,DISCH.(RIGHT HAND)	06EA504894	→	→
129	VALVE STOP,DISCH.(LEFT HAND)	06EA504904	→	→
130	WASHER,FLAT 1/4	(4)06EA500992	(4) →	(4) →
131	SCREW,SELF LOCK HEX HEAD	(4)06EA501843	(4) →	(4) →
132	SUPPORT,VALVE STOP(LEFT HAND)	06EA504994	→	→
133	SUPPORT,VALVE STOP(RIGHT HAND)	06EA504984	→	→
134	NI SUCT VALVE PKG(AVAIL LOOSE)	06EA660104	→	→
	INCLUDES ITEMS 50-140			
50	GASKET,CYL HEAD (S C O U)	06EA503334	→	→
136	VALVE,SUCTION (.025 THK)	(2)06EA500153	(2) →	(2) →
137	PIN,DOWEL	(4)06EA501012	(4) →	(4) →
138	GASKET,VALVE PLATE (.070 THK)	06EA504884	→	→
139	SCREW,SELF LOCKING 1/4-28	06EA501543	→	→
130	WASHER,FLAT 1/4	06EA500992	→	→
49	GASKET,CYL HEAD (H G B P)	06EA503314	→	→
140	BACKERS,SUCTION VALVE	(2)06EA501563	(2) →	(2) →
141	NI VALVE PLATE PKG	06EA660105	→	→
	(HOT GAS BY-PASS UNLOADING)			
	INCLUDES ITEMS 142-134			
142	VALVE PLATE ASSY	NSS	→	→
	INCLUDES ITEMS 143-149			
143	STOP,DISCHARGE VALVE	(2)06EA500682	(2) →	(2) →
144	VALVE,DISCHARGE	(2)06EA501363	(2) →	(2) →
145	SCREW,POLY LOCK CAP 1/4-28	(4)AB06FQ168	(4) →	(4) →
130	WASHER,FLAT 1/4	(4)06EA500992	(4) →	(4) →
146	SUPPORT,VALVE STOP	(2)06EA501302	(2) →	(2) →
147	PISTON,CHECK VALVE	06EA500082	→	→
148	SPRING,CHECK VALVE	06EA500031	→	→
149	BODY,CHECK VALVE	06EA500073	→	→
134	NI SUCT VALVE PKG(SEE 134 ABOVE)	06EA660104	→	→

NOTE: See "Catalog Notes" on last page for explanation of symbolism.

ITEM	PART DESCRIPTION	06E 150	06E 250	06E 266
		4 CYL	4 CYL	4 CYL
ACCESSORY GROUP				
160	NI CAPACITY CONTROL ACCESS.PKG. (ELECTRIC SUCTION CUT-OFF) (UNLOADING LESS COIL) INCLUDES ITEMS 161-174	06EA660138	→	→
161	NI CYLINDER HEAD ASSY INCLUDES ITEMS 162-174	NSS	→	→
162	NI CYLINDER HEAD (UNPAINTED)	06EA503524	→	→
163	PISTON ASSY (1 RING)	06EA402033	→	→
NOTE: PREVIOUS DESIGN PISTON WITH 2 RINGS NLA. REPLACE WITH 1 RING TYPE.				
	INCLUDES ITEMS 164-165			
164	PISTON	06EA502224	→	→
165	RING, SEAL (TEFLON W/SPRING)	06EA502023	→	→
166	GASKET, UNLOADER VALVE	06EA501253	→	→
167	BODY, VALVE	06EA501352	→	→
168	SPRING, COMPRESSION	06EA501362	→	→
169	COVER, VALVE	06EA502662	→	→
170	GASKET, VALVE COVER	06EA501382	→	→
171	VALVE BODY ASSY (ALCO) W/O COIL	06DA405264	→	→
172	STRAINER	6D75-601	→	→
173	SCREW, SOCKET CAP	(7)AB44AA168	(7) →	(7) →
174	GASKET, SOCKET CAP SCREW 1/4	(3)AU52YA171	(3) →	(3) →
175	NI CAPACITY CONTROL ACCESS PKG (PRESS. SUCT. CUT-OFF UNL) INCLUDES ITEMS 176-136	06EA660139	→	→
176	NI CYLINDER HEAD ASSY INCLUDES ITEMS 162-174	NSS	→	→
162	NI CYLINDER HEAD (UNPAINTED)	06EA503524	→	→
163	PISTON ASSY (1 RING)	06EA402033	→	→
NOTE: PREVIOUS DESIGN PISTON WITH 2 RINGS NLA. REPLACE WITH 1 RING TYPE.				
	INCLUDES ITEMS 164-165			
164	PISTON	06EA505224	→	→
165	RING, SEAL (TEFLON W/SPRING)	06EA502023	→	→

NOTE: See "Catalog Notes" on last page for explanation of symbolism.

ITEM	PART DESCRIPTION	06E 150	06E 250	06E 266
		4 CYL	4 CYL	4 CYL
ACCESSORY GROUP CONT'D				
166	GASKET UNLOADER VALVE	06EA501253	→	→
167	BODY, VALVE	06EA501352	→	→
168	SPRING, COMPRESSION	06EA501362	→	→
169	COVER, VALVE	06EA502662	→	→
170	GASKET, VALVE COVER	06EA501382	→	→
177	VALVE BODY ASSY(CCA/SINGER)	06EA404294	→	→
172	STRAINER	6D75-601	→	→
173	SCREW, SOCKET HEAD CAP	(7)AB44AA168	(7) →	(7) →
174	GASKET, SOCKET HEAD SCREW	(3)AU52YA171	(3) →	(3) →
ITEMS 160 & 175 ALSO INCLUDE:				
50	GASKET, CYLINDER HEAD	06EA503334	→	→
138	GASKET, VALVE PLATE(MED TEMP)	06EA504884	→	→
139	SCREW, CAP(VALVE PLT GSKT)	06EA501543	→	→
130	WASHER, CAP SCREW 1/4	06EA500992	→	→
178	KIT, VALVE PLT GSKT(LOOSE)	06ER660012	→	→
INCLUDES ITEMS 136 & 156				
136	VALVE SUCTION (.025 THK)	(2)06EA500153	(2) →	(2) →
156R	GASKET, VALVE PLATE (REFRIG)	06EA501853	→	→
180 NI	CONTROL VALVE PKG (PRESSURE) (HGBP OR SCOU UNLOADING)	06EA660100	→	→
INCLUDES ITEMS 177-174				
177	VALVE, CAP CONTROL(CCA/SING)	06EA404294	→	→
181	PISTON ASSY (FOR HGBP)	NSS	→	→
166	GASKET, UNLOADER	06EA501253	→	→
182 NI	WRENCH, ALLEN	06EA680036	→	→
173	SCREW, SOCKET HEAD CAP	(3)AB44AA168	(3) →	(3) →
174	GASKET, SOCKET HEAD SCREW	(3)AU52YA171	(3) →	(3) →
183 NI	CONTROL VALVE PKG ELEC (ALCO) (HGBP OR SCOU UNLOADING)	06EA660135	→	→
INCLUDES ITEMS 171-174				
171	VALVE BODY ASSY(LESS COIL)	06EA405264	→	→
181 NI	PISTON ASSY (FOR HGBP ONLY)	06EA405264	→	→
166	GASKET, UNLOADER	06EA501253	→	→
173	SCREW, SOCKET HEAD CAP	(3)AB44AA168	(3) →	(3) →
174	GASKET, SOCKET HEAD CAP SCREW	(3)AU52YA171	(3) →	(3) →
COIL, UNLOADER (ALCO)				
NOTE:ALCO VALVES ARE IDENTIFIED BY SNAP CAP HOLDING COIL ON POST.				
184	24V-1-50/60	EF19ZE024	→	→
184	120V-1-50/60	EF19ZE120	→	→
184	240V-1-50/60	EF19ZE240	→	→
COIL UNLOADER (CCA/SINGER)				
NOTE:CCA/SINGER COILS ARE IDENTIFIED BY HEX NUT HOLDING COIL ON POST.				
185 NI	120V-1-50/60	06EA401303	→	→
185 NI	208/240V-1-50/60	06EA401313	→	→
VALVE, CAPACITY CONTROL ELECTRIC (CCA/SINGER)				
186 NI	REWORK KIT PKG (SCOU)	06EA660079	→	→
INCLUDES ITEMS 164-172				
164	PISTON (SINGLE RING)	06EA505224	→	→
165	RING, SEAL	06EA502023	→	→
166	GASKET, UNLOADER VALVE	06EA501253	→	→
167	BODY, VALVE	06EA501352	→	→
168	SPRING, COMPRESSION	06EA501362	→	→
170	GASKET, VALVE COVER	06EA501382	→	→
172	STRAINER	6D75-601	→	→

NOTE: See "Catalog Notes" on last page for explanation of symbolism.

ITEM	PART DESCRIPTION	06E 150	06E 250	06E 266
		4 CYL	4 CYL	4 CYL
ACCESSORY GROUP CONT'D				
235	NI BLOCKING KIT PKG (SCOU ONLY)	06EA660147	→	→
	INCLUDES ITEMS 236-174			
236	BLOCKING SLEEVE	06EA601572	→	→
237	PLATE, COVER	06DA501032	→	→
166	GASKET, COVER	06EA501253	→	→
238	SCREW, SOCKET HEAD CAP	(3)AB44AA170	(3) →	(3) →
174	GASKET, SOCKET HEAD CAP SCREW	(3)AU52YA171	(3) →	(3) →
187	SENSOR, THERMAL A/C (OPEN 295 F) NOTE	HN68GA240	→	X
187	SENSOR, THERMAL (MEDTEMP) (325 F) NOTE	06EA501523	X	06EA501523
188	NI CYL HEAD SENSOR CONDUIT PKG	06EA601052	→	→
	INCLUDES ITEMS 189-194			
189	CONDUIT 3/8 20' LG.	NSS	→	→
190	CONNECTOR, CONDUIT (3/8)	(2)HW62EZ010	(2) →	(2) →
191	NI SLEEVE, ANTI-SHORT	(2)HW77EZ011	(2) →	(2) →
192	NI WIRE NUTS	(2)NSS	(2) →	(2) →
193	NI COUPLING, 1/2 PIPE	CA348N151	→	→
194	NI PLATE, WARNING	NSS	→	→
NOTE: 188 IS REQ'D IF SENSOR (# 187) NOT NOW ON COMPRESSOR.				
195	NI MODULE, PROTECTION (ROBT. SHAW)			
	208/240V-50/60 HZ	HN65BJ208	→	→
	115V-50/60 HZ	06EA660061	→	→
	INCLUDES ITEM 196			
196	NI MODULE	HN65BJ115	→	→
197	NI SWITCH, OIL PRESSURE SAFETY	P529-2110	→	→
198	NI DUAL PRESSURE CONTROL	P527-4322	→	→
	(AUTO RESET LOW & HIGH PRESS.)			
199	NI PRESSURE CONTROL	P527-1122	→	→
	(LOW PRESSURE AUTO RESET)			
200	NI PRESSURE CONTROL	P527-4422	→	→
	(HIGH PRESSURE MANUAL RESET)			
201	NI CRANKCASE HEATER PKG (120V)	06EA660148	→	→
	INCLUDES ITEM 202, 207-209			
202	NI HEATER, CRANKCASE (180 W)	HT36FZ379	→	→
203	NI HEATER, PKG CRANKCASE (240V)	06EA660149	→	→
	INCLUDES ITEM 204, 207-209			
204	NI HEATER, CRANKCASE (180 W)	HT36FZ479	→	→
205	NI HEATER PKG, CRANKCASE (480 V)	06DA660076	→	→
	INCLUDES ITEM 206-209			
206	NI HEATER, CRANKCASE (125 W)	HT36DL480	→	→
	ABOVE C'CASE HTR PKG'S INCLUDE			
207	NI CLIP, HEATER	AS81VF056	→	→
208	NI BUSHING, ANTI-SHORT	HW77DZ011	→	→
209	NI COMPOUND, HEAT SINK (SILICONE)	38A0680001	→	→
210	NI SUSPENSION KIT, COMPRESSOR	06EA660089	→	→
	INCLUDES ITEMS 211-217			
211	NI SPRING	(4)06EA500262	(4) →	(4) →
212	NI CUP, SPRING	(2)50K4-1221	(2) →	(2) →
213	NI STUD	(4)06EA680073	(4) →	(4) →
214	NI SNUBBER, RUBBER	(4)6D73-2241	(4) →	(4) →
215	NI CUP, SNUBBER	(4)6D73-2251	(4) →	(4) →
216	NI NUT, FLANGED	(8)06EA680069	(8) →	(8) →
217	NI NUT, LOCK	(4)AT61JA241	(4) →	(4) →
218	NI COMPRESSOR MOUNTING PLATE PKG	06EA660096	→	→
	INCLUDES ITEMS 219-220			
219	NI PLATE, MOUNTING	06EA680072	→	→
220	NI SPACER	(4)30HR070-1071	(4) →	(4) →

NOTE: See "Catalog Notes" on last page for explanation of symbolism.

ITEM	PART DESCRIPTION	06E 150	06E 250	06E 266
		4 CYL	4 CYL	4 CYL
ACCESSORY GROUP CONT D				
227	NI EQUALIZER LINE ADAPTER PKG (ATTACHES TO SIGHT GLASS CONN)	06EA660127	→	→
	INCLUDES ITEMS 73-229			
73	VALVE ASSY, CHECK (C'SHAFT)	(2)6D40-162	(2) →	(2) →
228	NI FLANGE, MANIFOLD (1-1/8 CU)	(2)06EA500392	(2) →	(2) →
55	" O " RING	(2)KK71GW015	(2) →	(2) →
229	SCREW, HEX HEAD CAP	(6)AB06BS172	(6) →	(6) →
230	NI MUFFLER PACKAGE	06EA500302	X	06EA500302

NOTE: See "Catalog Notes" on last page for explanation of symbolism.

ITEM	PART DESCRIPTION	06E 265	06E 175	06E 275	06E 199	06E 299
		6 CYL	6 CYL	6 CYL	6 CYL	6 CYL
REPLACEMENT COMPRESSOR GROUP						
AIR/COND STD EFFICIENCY						
HOT GAS BYPASS UNLOADING (EX)						
	575-3-60	06EX265160	06EX175160	06EX275160	X	06EX299160
	208/230-3-60	06EX265360	06EX175360	06EX275360	X	06EX299360
	460/400-3-60/50 XL	06EX265360	06EX175360	06EX275360	X	06EX299360
	460/400-3-60/50 PW	06EX265660PW	06EX175660PW	06EX275660PW	X	06EX299660PW
	230-3-50	X	X	X	X	X
	220/380-3-60	X	X	X	X	X
	415-3-50	X	X	X	X	X
IE: 06EX COMPRESSOR, SE NOTE ON PAGE 2.						
AIR COND HIGH EFFICIENCY						
SUCTION CUTOFF UNLOADING (ET)						
	575-3-60	06ET2651(J)0	06ET1753(J)0	06ET2753(J)0	X	06ET2991(J)0
	208/230-3-60	06ET1653(J)0	06ET1753(J)0	06ET2753(J)0	X	06ET2993(J)0
	400/460-3-50/60 XL	06ET2653(J)0	06ET1753(J)0	06ET2753(J)0	X	06ET2993(J)0
	400/460-3-50/60 PW	06ET265660PW	06ET175660PW	06ET275660PW	X	06ET299660PW
	230-3-50	06ET265820	X	06ET275820	X	X
	220/380-3-60	06ET265920	X	06ET275920	X	X
	415-3-50	X	X	X	X	X
IE: 06ET COMPRESSOR, SEE NOTE ON PAGE 3.						
MED & HIGH TEMP REFRIG (EZ)						
	575-3-60	X	06EZ175170	X	06EZ199170	X
	208/230-3-60	X	06EZ175370	X	06EZ199370	X
	400/460-3-50/60 XL	X	06EZ175370	X	06EZ199370	X
	400/460-3-50/60 PW	X	06EZ175670PW	X	06EZ199670PW	X
	230-3-50	X	X	X	X	X
	230/380-3-60	X	X	X	X	X
	415-3-50	X	X	X	X	X
IE: 06EZ COMPRESSOR, SEE NOTE ON PAGE .						

NOTE: See "Catalog Notes" on last page for explanation of symbolism.

ITEM	PART DESCRIPTION	06E 265	06E 175	06E 275	06E 199	06E 299
		6 CYL	6 CYL	6 CYL	6 CYL	6 CYL
REPLACEMENT MOTOR PACKAGE						
	MOTOR HORSEPOWER	25	25	30	35	40
	575-3-60	06EX475154	→	06EX490154	X	X
	208-3-60	06EX475484	→	06EX490454	06EX410314	06EX412314
	230-3-60	06EX475554	→	06EX490554	06EX410314	06EX412314
	NOTE 208/230-460-3-60	06EX475314	→	06EX490314	06EX410314	06EX412314
	460/400-3-50/60 PW	06EX475654	→	06EX490654	X	06EX412684
	230-3-50	06EX475854	→	06EX490854	X	X
	220/380-3-60	06EX475914	→	X	X	X
	415-3-50	X	X	X	X	X
<p>06EX — 54 MTRS HAVE 6 POWER & 4 R/S CONNS. 06EX — 14 ARE 9 LEAD FOR MULTIVOLT MOTORS. 06EX — 84 ARE 6 POWER & 4 R/S CONNS. NOTE: REFER TO PMB 87-13, THIS MULTI VOLT COMPR MOTOR REQUIRES A 9 PIN TERM. PLT. 06EA660087 & JUMPER BAR KIT 06EA660141 FOR 208/230 XL. OR THE MOTOR INDICATED FOR 460/400-3-50/60PW IS WHAT MUST BE ORDERED. THIS PW MOTOR REQUIRES THE 10 PIN TERMINAL PLATE IN 06EA660051 PKG.</p>						
1	NI MOTOR BURNOUT KIT	06EA660072	→	→	→	→
	INCLUDES ITEMS 134-71					
134	SUCTION VALVE PKG(SEE PG.7)	06EA660104	→	→	→	→
17	GASKET, MOTOR END COVER	(2)6F251013	(2) →	(2) →	(2) →	(2) →
3A	GASKET, TERMINAL PLATE	6G45-1082	→	→	→	→
17	GASKET, DISCH. VALVE 2 BOLT	6D40-1131	→	→	→	→
8	GASKET, DISCH VALVE 4 BOLT	6D68-1131	→	→	→	→
8A	GASKET, SUCT. VALVE	6G65-1061	→	→	→	→
61	GASKET, BOTTOM COVER	6D68-1043	→	→	→	→
69	BUSHING, MOTOR LOCKING PIN	06EA500211	→	→	→	→
70	PIN, MOTOR LOCKING ROLL	AX14CP235	→	→	→	→
71	GASKET, WASHER	AU51YA012	→	→	→	→
TERMINAL BOX & PLATE GROUP						
2	NI TERMINAL BOX & COVER PKG	06EA660095	→	→	→	→
	INCLUDES ITEMS 2A-2H					
2A	TERMINAL BOX	NSS	→	→	→	→
2B	COVER, TERM BOX (W/LABELS)	NSS	→	→	→	→
2C	GASKET, TERMINAL BOX	06EA501203	→	→	→	→
2D	PLATE, COVER (NO KO'S)	06EA500512	→	→	→	→
2E	NI PLATE, COVER (3 KO'S)	NSS	→	→	→	→
2F	NI PLATE, COVER (NESTED KO'S)	NSS	→	→	→	→
2G	SCREW, THREAD CUTTING #10-24	(16)NSS	(16) →	(16) →	(16) →	(16) →
2H	SCREW, LOCK 1/4-28	(4)NSS	(4) →	(4) →	(4) →	(4) →
3	NI TERMINAL PLATE PKG	06EA660087	→	→	→	→
	(9 PIN TERMINAL PLATE)					
	INCLUDES ITEMS 3A-3C					
3A	GASKET, TERMINAL PLATE	6G45-1082	→	→	→	→
3B	BLOCK, CONNECTOR (3 PIN FLAT)	(3)06LA500282	(3) →	(3) →	(3) →	(3) →
3C	NUT, STEEL JAM 3/8-16	(18)AT140A241	(18) →	(18) →	(18) →	(18) →
3E	PLATE ASSY, TERMINAL (9 PIN)	NSS	→	→	→	→
3	NI TERMINAL PLATE PKG	06EA660125	→	→	→	→
	(6 PIN TERMINAL PLATE)					
	INCLUDES ITEMS 3A-3F					
3A	GASKET, TERMINAL PLATE	6G45-1082	→	→	→	→
3C	NUT, STEEL JAM 3/8-16	(12)AT140A241	(12) →	(12) →	(12) →	(12) →
3D	BARRIER, PHASE (3 PIN)	(2)06EA500672	(2) →	(2) →	(2) →	(2) →

NOTE: See "Catalog Notes" on last page for explanation of symbolism.

ITEM	PART DESCRIPTION	06E 265	06E 175	06E 275	06E 199	06E 299
		6 CYL	6 CYL	6 CYL	6 CYL	6 CYL
TERMINAL BOX & PLATE GROUP CONT'D						
3	NI TERMINAL PLATE PKG (10 PIN TERMINAL PLATE) (6 POWER LEADS & 4 ROBT/SHAW) INCLUDES ITEMS 3A-3G	06EA660051	→	→	→	→
3A	GASKET, TERMINAL PLATE	6G45-1083	→	→	→	→
3C	NUT, STEEL JAM 3/8-16	(12)AT140A241	(12) →	(12) →	(12) →	(12) →
3D	BARRIER, PHASE (3 PIN)	(2)06EA500672	(2) →	(2) →	(2) →	(2) →
3G	PLATE ASSY, TERMINAL (10 PIN)	NSS	→	→	→	→
4	TERM LUGS(6 PAC)(#8-#4 WIRE)	HY85T8008	→	→	→	→
5	NI JUMPER BAR KIT(SEE PMB 87-13) (FOR USE ON MULTI-VOLT COMPR) INCLUDES ITEMS 5A-5E	06EA660141	→	→	→	→
5A	NI BAR, JUMPER (2 HOLE)	(3)NSS	(3) →	(3) →	(3) →	(3) →
5B	NI BAR, JUMPER (3 HOLE)	NSS	→	→	→	→
5C	NI BLOCK CONNECTOR (3 PIN)	06LA500282	→	→	→	→
5D	NI NUT, STEEL JAM 3/8-16	(9)AT140A241	(9) →	(9) →	(3) →	(3) →
5E	NI LABEL, WIRING	NSS	→	→	→	→
SERVICE VALVE GROUP						
6	NI SUCTION VALVE PKG INCLUDES ITEMS 7-11B	06EA660090	06EA660091	→	→	→
7	SERVICE VALVE 4 BOLT	EN07EA041	EM13FE051	→	→	→
8	GASKET, SERVICE VALVE	6D68-1131	6G65-1061	→	→	→
9	NI SCREW, HEX HEAD CAP	(4)NSS	(4) →	(4) →	(4) →	(4) →
10A	CAP, VALVE (MUELLER)	EN99ZA006	EN99ZA009	→	→	→
10B	CAP, VALVE (HENRY)	EN99ZA013	EN99ZA022	→	→	→
11A	NI GASKET, VALVE CAP(MUELLER)	EN99ZA103	EN99ZA117	→	→	→
11B	NI GASKET, VALVE CAP(HENRY)	X	X	X	X	X
6	NI SUCTION VALVE PKG INCLUDES ITEMS 7A-14	X	06EA660091	X	06EA660091	X
7A	SERVICE VALVE(2-1/8ODS 4-BOLT)	X	EM13FE051	X	EM13FE051	X
8A	GASKET, VALVE (RING GASKET)	X	6G65-1061	X	6G65-1061	X
9A	SCREW, HEX HEAD CAP	X	(4)NSS	X	(4)NSS	X
10C	CAP, VALVE (MUELLER)	X	EN99ZA009	X	EN99ZA009	X
10D	CAP, VALVE (HENRY)	X	EN99ZA022	X	EN99ZA022	X
11C	GASKET, VALVE CAP (MUELLER)	X	EN99ZA117	X	EN99ZA117	X
11D	GASKET, VALVE CAP (HENRY)	X	X	X	X	X
12	ADAPTER, TAILPIECE(MUELLER)	X	EN99ZA516	X	EN99ZA516	X
13	GASKET, ADAPTER (MUELLER)	X	EM99EA516	X	EM99EA516	X
14	FLANGE, COMPANION (MUELLER)	X	EM99FA516	X	EM99FA516	X

NOTE: See "Catalog Notes" on last page for explanation of symbolism.

ITEM	PART DESCRIPTION	06E 265	06E 175	06E 275	06E 199	06E 299
		6 CYL	6 CYL	6 CYL	6 CYL	6 CYL
SERVICE VALVE GROUP CONT'D						
15	NI DISCHARGE VALVE PKG	06DA660065	→	→	06EA660090	→
	INCLUDES ITEMS 16-20B:					
16	VALVE, SERVICE 4 BOLT	EN07EA039	→	→	EN07EA041	→
17	GASKET, SERVICE VALVE	6D68-1131	→	→	→	→
18	SCREW, HEX HEAD CAP	(4)NSS	(4) →	(4) →	(4) →	(4) →
19A	CAP, VALVE (MUELLER)	EN99ZA006	→	→	→	→
19B	CAP, VALVE (HENRY)	X	X	X	X	X
20A	GASKET, VALVE CAP(MUELLER)	EN99ZA103	→	→	→	→
20B	NI GASKET, VALVE CAP(HENRY)	X	X	X	X	X
15	NI DISCHARGE VALVE PKG(A/C)(ALT)	06EA660090	→	→	X	X
	INCLUDES ITEMS 21-25B					
21	VALVE, SERVICE 1/5/8 ODS, 4-BOLT	EN07EA041	→	→	X	X
22	GASKET, SERVICE VALVE	6D68-1131	→	→	X	X
23	NI SCREW, HEX HEAD CAP	(4)NSS	(4) →	(4) →	X	X
24A	NI CAP, VALVE (MUELLER)	EN99ZA006	→	→	X	X
24B	NI CAP, VALVE (HENRY)	EN99ZA013	→	→	X	X
25A	NI GASKET, VALVE CAP(MUELLER)	EN99ZA103	→	→	X	X
25B	NI GASKET, VALVE CAP(HENRY)	X	X	X	X	X
15	NI DISCHARGE VALVE PKG	X	06EA660065	X	06EA660065	X
	INCLUDES ITEMS 16-20B					
16	VALVE, SERVICE 11/8 ODS, 2 BOLT	X	EN07EA041	X	EN07EA041	X
17	GASKET, VALVE	X	6D68-1131	X	6D68-1131	X
18	NI SCREW, HEX HEAD CAP	X	(2)NSS	X	(2)NSS	X
19A	NI CAP, VALVE (MUELLER)	X	EN99ZA006	X	EN99ZA006	X
19B	NI CAP, VALVE (HENRY)	X	EN99ZA013	X	EN99ZA013	X
20A	NI GASKET, VALVE CAP(MUELLER)	X	EN99ZA103	X	EN99ZA103	X
20A	NI GASKET, VALVE CAP(HENRY)	X	X	X	X	X
15	DISCHARGE VALVE PKG (MED TEMP)	X	06EA660090	X	06EA660090	X
	INCLUDES ITEMS 26-30B					
26	VALVE, SERVICE 1-5/8 ODS, 4 BOLT	X	EN07EA041	X	EN07EA041	X
27	GASKET, VALVE	X	6D68-1131	X	6D68-1131	X
28	SCREW, HEX HEAD CAP	X	(4)NSS	X	(4)NSS	X
29A	CAP, VALVE (MUELLER)	X	EN99ZA006	X	EN99ZA006	X
29B	CAP, VALVE (HENRY)	X	EN99ZA013	X	EN99ZA013	X
30A	NI GASKET, VALVE CAP(MUELLER)	X	EN99ZA103	X	EN99ZA103	X
30B	NI GASKET, VALVE CAP(HENRY)	X	X	X	X	X
250	NI PLATE PKG, BAFFLE (MED TEMP) NOTE #	X	06EA660145	→	06EA660145	X
	INCLUDES ITEMS 251 & 17:					
251	PLATE, BAFFLE (9 HOLES)	X	NSS	→	→	→
17	GASKET	X	(2)6D68-1131	(2) →	(2) →	(2) →
NOTE # DO NOT ORDER IT #250 UNLESS APPROVED BY DISTRIBUTOR SERVICE MGR.						

NOTE: See "Catalog Notes" on last page for explanation of symbolism.

ITEM	PART DESCRIPTION	06E 265	06E 175	06E 275	06E 199	06E 299
		6 CYL	6 CYL	6 CYL	6 CYL	6 CYL
COMPRESSOR BODY GROUP						
36	NI PAINT (SEA FOAM GREEN)	PH23QK016	→	→	→	→
37	NI GASKET PACKAGE (AIR/COND) #	06EA660071	→	→	X	06EA660071
38	NI GASKET PACKAGE (MED TEMP) ##	X	06ER660009	X	06ER660009	→
39	HEAD,CYL(SIDE)W/1/4 & 1/2 NPT	(2)06EA502064	(2) →	(2) →	(2) →	(2) →
40	HEAD,CTR CYL (STD) W/ 1/2 NPT	06EA502074	→	→	→	→
41	HEAD,CTR CYL (REV) W/ 1/2 NPT	06EA502084	→	→	→	→
42	HEAD,UNLOADER CYL (H G B P)	06EA500304	→	→	X	06EA500304
43	HEAD,UNLOADING CYL (S C O U)	06EA503524	→	→	→	→
44	GASKET,CYLINDER HEAD (NO/UNL)	(2)06EA503304	(2) →	(2) →	(2) →	(2) →
45	GASKET,CYLINDER HEAD (CENTER)	06EA503314	→	→	→	→
46	GASKET,CYLINDER HEAD (H G B P)	06EA503314	→	→	X	06EA503314
47	GASKET,CYLINDER HEAD (S C O U)	06EA503334	→	→	→	→
48	SCREEN ASSY,OIL FILTER	6D40-103	→	→	→	→
49	TUBE,OIL SUCTION	06EA500233	→	→	→	→
50	GLASS,OIL SIGHT(W/"O"RING GRV)	KM39BN010	→	→	→	→
51	CVR,BLANK OFF(W/"O"RING GRV)	06EA501212	→	→	→	→
52	"O" RING (1 1/2"O.D.)	(2)KK71GW015	(2) →	(2) →	(2) →	(2) →
53	SCREW,HEX HEAD CAP	(6)AB06GR169	(6) →	(6) →	(6) →	(6) →
54	WASHER,LOCK 1/4	(6)AU61ML171	(6) →	(6) →	(6) →	(6) →
55	PLUG,PIPE 1/4 NPT	(5)CA63AA051	(5) →	(5) →	(5) →	(5) →
56	PLUG,PIPE 1/2 NPT	(3)CA63AA101	(3) →	(3) →	(3) →	(3) →
57	PLUG,OIL BYPASS 5/8-18 UNF	5H40-1141	→	→	→	→
57A	ADAPTER 5/8-18 UNF TO 1/4 FPT	5F20-1131	→	→	→	→
57B	DRAIN PLUG,MAGNETIC 5/8-18	(2)CA99AA101	(2) →	(2) →	(2) →	(2) →
58	WASHER,GASKET 5/8 (7/8 O.D.)	(2)AU51YA011	(2) →	(2) →	(2) →	(2) →
60	COVER,BOTTOM	6D68-1274	→	→	→	→
61	GASKET,BOTTOM COVER	6D68-1043	→	→	→	→
62	BRACKET,C'CASE HEATER	06EA501142	→	→	→	→
63	BEARING,MAIN (PUMP END)	06EA500352	→	→	→	→
64	BEARING,MAIN (MOTOR END)	06EA500362	→	→	→	→
65	ORIFICE ASSY,OIL RETURN	06EA400982	→	→	→	→
INCLUDES ITEM 66:						
66	STRAINER	6D75-601	→	→	→	→
67	VALVE,INTERNAL RELIEF	EB51FN272	→	→	→	→
67A	GASKET,INTERNAL RELIEF VALVE	6G65-1251	→	→	→	→
68	STRAINER ASSY,SUCTION	06DA402133	06EA400252	→	→	→
69	BUSHING,MOTOR LOCKING PIN	06EA500211	→	→	→	→
70	PIN,MOTOR LOCKING ROLL	AX14CP235	→	→	→	→
71	GASKET,ACORN NUT (3/4)	AU51YA012	→	→	→	→
72	NUT,ACORN 3/4-16	AT27MA363	→	→	→	→
73	VALVE ASSY,CHECK (SHAFT END)	6D40-162	→	→	→	→
INSTALLED IN MOTOR END OF ROTOR BOLT (IT #106) WHEN COMPRESSORS INTER-CONNECTED. (ALSO SEE PMB89-82 DTD 5/30/89)						
74	NI SPACER,MOTOR (3/4" WIDE)	06EA500342	→	→	→	→
NOTE: USED IN OLDER MODEL COMPRESSORS BETWEEN ROTOR & CRANKCASE.REMOVE IF REPLACING MOTOR.						
75	COVER,MOTOR END	06EA502224	06EA500094	→	→	→
76	VALVE ASSY	06DA403844	→	→	→	→
76A	CAP,VALVE	DD19CA061	→	→	→	→
77	GASKET,MOTOR END COVER	6F25-1013	→	→	(2) →	(2) →
78	SPACER,MOTOR END (1" THK)	X	X	X	06EA500514	→
79	BOLT,MOTOR END COVER MTG	(18)AA06BR271	(18) →	(18) →	(18)AA06GR275	(18) →
80	FOOT,COMPRESSOR (AIR/COND)	06EA500052	→	→	X	06EA500052
81R	FOOT,COMPRESSOR (MED TEMP)	X	06EA501172	X	06EA501172	X
# 06EA660061 GASKET PKG. INCLUDES ITEMS 2C, 3A, 8, 52, 54, 58, 61, 67A, 71, 77, 87, 91, 93, 95, 134, 166 & 209. QUANTITIES FOR ANY SIZE COMP'R ARE INCLUDED.						
# 06ER660009 GASKET PKG INCLUDES ITEMS 3A, 8A, 17, 52, 58, 61, 67A, 71, 77, 87, 91, 93, 94, 95, 154, 166 & 209. QUANTITIES FOR ANY SIZE COMP'R INCLUDED.						

NOTE: See "Catalog Notes" on last page for explanation of symbolism.

ITEM	PART DESCRIPTION	06E 265	06E 175	06E 275	06E 199	06E 299
		6 CYL	6 CYL	6 CYL	6 CYL	6 CYL
PUMP END GROUP						
82	NI BEARING HEAD PKG	06EA66001	→	→	→	→
NOTE: BRG. HEAD HAS 1/4 NPT CONN FOR OIL SAFETY SW. WHICH IS NOT INCL.						
INCLUDES ITEMS 84-96:						
84	BEARING HEAD ASSY	NSS	→	→	→	→
85	SCREW, HEX HEAD	(4)AA06GR199	(4) →	(4) →	(4) →	(4) →
86	COVER, PUMP END	7J1-6002	→	→	→	→
87	GASKET, PUMP END COVER	6D40-1061	→	→	→	→
88	GUIDE VANE, OIL FEED	6D40-1171	→	→	→	→
89	SPRING, OIL FEED GUIDE VANE	6D40-1112	→	→	→	→
90	DRIVE SEGMENT, OIL PUMP	6D40-1191	→	→	→	→
91	WASHER, CAPSCREW	(4)AU51YA003	(4) →	(4) →	(4) →	(4) →
92	SCREW, SOCKETHEAD CAP	(2)NSS	(2) →	(2) →	(2) →	(2) →
93	LOCKWASHER #10	AU61ML131	→	→	→	→
94	LOCKWASHER 1/4	AU61ML171	→	→	→	→
95	GASKET, BEARING HEAD	06EA501513	→	→	→	→
96	PLUG, PIPE 1/4 NPT	CA63AA051	→	→	→	→
97	SCREW, HEXHEAD CAP (7/16-14)	(8)AA06BR262	(8) →	(8) →	(8) →	(8) →
DRIVE TRAIN GROUP						
100	CRANKSHAFT ASSY (INC'L HDW'R)	06EA402013	06EA402003	→	06EA402043	→
100	CRANKSHAFT ASSY (.010 UNDERSIZE)	06EA402013S1	06EA402003S1	→	06EA402043S1	→
NOTE: UNDERSIZED CRANKSHAFTS CAN BE IDENTIFIED BY "A" STAMPED ON PUMP END OF SHAFT OR BY REFERING TO DETAIL "S" ON PAGE 17 OF THIS CATALOG.						
ON SHAFTS WITH COUNTERWEIGHTS, DO NOT REMOVE OR TRY TO INTERCHANGE WEIGHTS. THEY ARE MATCHED ONLY TO SHAFT THEY ARE ATTACHED TO.						
101	WASHER, BEARING (3" DIA., BRONZE)	06EA500101	→	→	→	→
102	PIN, CRANKSHAFT SPIROL 5/32X5/8	AX13AA091	→	→	→	→
103	KEY, ROTOR (3/8 SQ X 2 3/4)	AW01DA224	→	→	→	→
104	PLATE WASHER, ROTOR (2-1/4 DIA)	06EA500171	→	→	→	→
105	LOCKWASHER, ROTOR (5 POINT)	06EA500141	→	→	→	→
106	BOLT, ROTOR LOCK (5/8-11X1-3/4)	06EA500341	→	→	→	→
107	NI PISTON & PIN PKG	(6)06EA660110	(6)06EA660109	(6) →	(6) →	(6) →
INCLUDES ITEMS 108-110						
108	PISTON (2 STEP CONTOUR TOP)	NSS	→	→	→	→
109	PIN, PISTON	06EA500111	→	→	→	→
110	RING, PISTON PIN RETAINING	(2)06EA500131	(2) →	(2) →	(2) →	(2) →
107A	NI PISTON & PIN PKG (+ .020 DIA.)	06EA660112	→	06EA660111	→	→
INCLUDES ITEMS 108-110						
108A	PISTON (2 STEP CONTOUR TOP)	NSS	→	→	→	→
109	PIN, PISTON	06EA500111	→	→	→	→
110	RING, PISTON PIN RETAINING	(2)06EA500131	(2) →	(2) →	(2) →	(2) →
NOTE: QUANTITY OF OVERSIZED PISTONS REQUIRED DETERMINED BY NUMBER OF CYLINDERS WITH A .020 I.D. STAMPED ON CYL. DECK ADJACENT TO EACH OF ANY OVERSIZED CYLINDERS. CHECK ALL; ONLY 1, 2 OR 3 MAY BE OVERSIZED.						
115	NI CONN ROD & CAP PKG	(6)06EA660034	(6) →	(6) →	(6)06EA660026	(6) →
INCLUDES ITEMS 116-118:						
116	CONN ROD & CAP	NSS	→	→	→	→
117	SCREW, SELF LOCK SOCKET CAP	(2)06EA501833	(2) →	(2) →	(2) →	(2) →
118	WASHER, FLAT	(2)AU04AA266	(2) →	(2) →	(2) →	(2) →

NOTE: See "Catalog Notes" on last page for explanation of symbolism.

ITEM	PART DESCRIPTION	06E 265	06E 175	06E 275	06E 199	06E 299
		6 CYL	6 CYL	6 CYL	6 CYL	6 CYL
DRIVE TRAIN GROUP CONT'D						
115	NI CONN ROD & CAP PKG(-.010)	(6)06EA660085	(6) →	(6) →	(6)06EA660086	(6) →
	INCLUDES ITEMS 116-118					
116	CONN ROD & CAP	NSS	→	→	→	→
117	SCREW,SELF LOCK SOCKET CAP	(2)06EA501833	(2) →	(2) →	(2) →	(2) →
118	WASHER	(2)AU04AA266	(2) →	(2) →	(2) →	(2) →
119	RING PACKAGE,OIL (PKG OF 12)	06EA660010	→	→	→	→
119A	RING PKG,OIL(+ .020)(PKG OF 12)	06EA660081	→	→	→	→
120	RING PKG,COMPRESS. (PKG OF 12)	06EA660081	→	→	→	→
120A	RING PKG,COMPRESS(+ .020)12 PCS	06EA660082	→	→	→	→
VALVE PLATE GROUP						
125	NI VALVE PLATE PKG (HI-EFFIC)	(3)06EA660137	(3) →	(3) →	(3) →	(3) →
	(NON-UNLOADING OR S C O U)					
	INCLUDES ITEMS 126-140					
126	VALVE PLATE ASSY	NSS	→	→	→	→
	INCLUDES ITEM 127-133					
127	VALVE,DISCHARGE	(2)06EA504914	(2) →	(2) →	(2) →	(2) →
128	VALVE STOP,DISCH.(RIGHT HAND)	06EA504894	→	→	→	→
129	VALVE STOP,DISCH.(LEFT HAND)	06EA504904	→	→	→	→
130	WASHER,FLAT 1/4	(4)06EA500992	(4) →	(4) →	(4) →	(4) →
131	SCREW,SELF LOCK HEX HEAD	(4)06EA501843	(4) →	(4) →	(4) →	(4) →
132	SUPPORT,VALVE STOP(LEFT HAND)	06EA504994	→	→	→	→
133	SUPPORT,VALVE STOP(RIGHT HAND)	06EA504984	→	→	→	→
134	NI SUCT VALVE PKG(AVAIL LOOSE)	06EA660104	→	→	→	→
	INCLUDES ITEMS 50-140					
50	GASKET,CYL HEAD (S C O U)	06EA503334	→	→	→	→
136	VALVE,SUCTION (.025 THK)	(2)06EA500153	(2) →	(2) →	(2) →	(2) →
137	PIN,DOWEL	(4)06EA501012	(4) →	(4) →	(4) →	(4) →
138	GASKET,VALVE PLATE (.070 THK)	06EA504884	→	→	→	→
139	SCREW,SELF LOCKING 1/4-28	06EA501543	→	→	→	→
130	WASHER,FLAT 1/4	06EA500992	→	→	→	→
49	GASKET,CYL HEAD (H G B P)	06EA503314	→	→	→	→
140	BACKERS,SUCTION VALVE	(2)06EA501563	(2) →	(2) →	(2) →	(2) →
141	NI VALVE PLATE PKG (AIR COND)	06EA660105	X	06EA660105	X	06EA660105
	(HOT GAS BY-PASS UNLOADING)					
	INCLUDES ITEMS 142-134					
142	VALVE PLATE ASSY	NSS	X	NSS	X	NSS
	INCLUDES ITEMS 143-149:					
143	STOP,DISCHARGE VALVE	(2)06EA500682	X	(2)06EA500682	X	(2)06EA500682
144	VALVE,DISCHARGE	(2)06EA501363	X	(2)06EA501363	X	(2)06EA501363
145	SCREW,POLY LOCK CAP	(4)AB06FQ168	X	(4)AB06FQ168	X	(4)AB06FQ168
130	WASHER,FLAT	(4)06EA500992	X	(4)06EA500992	X	(4)06EA500992
146	SUPPORT,VALVE STOP	(2)06EA501302	X	(2)06EA501302	X	(2)06EA501302
147	PISTON,CHECK VALVE	06EA500082	X	06EA500082	X	06EA500082
148	SPRING,CHECK VALVE	06EA500031	X	06EA500031	X	06EA500031
149	BODY,CHECK VALVE	06EA500073	X	06EA500073	X	06EA500073
134	NI SUCT VALVE PKG(SEE 134 ABOVE)	06EA660104	X	06EA660104	X	06EA660104

NOTE: See "Catalog Notes" on last page for explanation of symbolism.

ITEM	PART DESCRIPTION	06E 265	06E 175	06E 275	06E 199	06E 299
		6 CYL	6 CYL	6 CYL	6 CYL	6 CYL
ACCESSORY GROUP						
160	NI CAPACITY CONTROL ACCESS.PKG. (ELECTRIC SUCTION CUT-OFF UNLOADING LESS COIL)	06EA660138	→	→	→	→
	INCLUDES ITEMS 161-174					
161	NI CYLINDER HEAD ASSY	NSS	→	→	→	→
	INCLUDES ITEMS 162-174	NSS	→	→	→	→
162	CYLINDER HEAD (UNPAINTED)	06EA503524	→	→	→	→
163	PISTON ASSY (1 RING)	06EA402033	→	→	→	→
NOTE: PREVIOUS DESIGN PISTON WITH 2 RINGS NLA. REPLACE WITH 1 RING TYPE.						
	INCLUDES ITEMS 164-165					
164	PISTON	06EA502224	→	→	→	→
165	RING, SEAL (TEFLON W/SPRING)	06EA502023	→	→	→	→
166	GASKET, UNLOADER VALVE	06EA501253	→	→	→	→
167	BODY, VALVE	06EA501352	→	→	→	→
168	SPRING, COMPRESSION	06EA501362	→	→	→	→
169	COVER, VALVE	06EA502662	→	→	→	→
170	GASKET, VALVE COVER	06EA501382	→	→	→	→
171	VALVE BODY ASSY (ALCO) W/O COIL	06DA405264	→	→	→	→
172	STRAINER	6D75-601	→	→	→	→
173	SCREW, SOCKET CAP	(7)AB44AA168	(7) →	(7) →	(7) →	(7) →
174	GASKET, SOCKET CAP SCREW 1/4	(3)AU52YA171	(3) →	(3) →	(3) →	(3) →
175	NI CAPACITY CONTROL ACCESS PKG (PRESS. SUCT. CUT-OFF UNL)	06EA660139	→	→	→	→
	INCLUDES ITEMS 176-196					
176	NI CYLINDER HEAD ASSY	NSS	→	→	→	→
	INCLUDES ITEMS 162-174					
162	CYLINDER HEAD (UNPAINTED)	06EA503524	→	→	→	→
163	PISTON ASSY (1 RING)	06EA402033	→	→	→	→
NOTE: PREVIOUS DESIGN PISTON WITH 2 RINGS NLA. REPLACE WITH 1 RING TYPE.						
	INCLUDES ITEMS 164-165					
164	PISTON	06EA505224	→	→	→	→
165	RING, SEAL (TEFLON W/SPRING)	06EA502023	→	→	→	→

NOTE: See "Catalog Notes" on last page for explanation of symbolism.

ITEM	PART DESCRIPTION	06E 265	06E 175	06E 275	06E 199	06E 299
		6 CYL	6 CYL	6 CYL	6 CYL	6 CYL
ACCESSORY GROUP CONT'D						
166	GASKET UNLOADER VALVE	06EA501253	→	→	→	→
167	BODY, VALVE	06EA501352	→	→	→	→
168	SPRING, COMPRESSION	06EA501362	→	→	→	→
169	COVER, VALVE	06EA502662	→	→	→	→
170	GASKET, VALVE COVER	06EA501382	→	→	→	→
177	VALVE BODY ASSY(CCA/SINGER)	06EA404294	→	→	→	→
172	STRAINER	6D75-601	→	→	→	→
173	SCREW, SOCKET HEAD CAP	(7)AB44AA168	(7) →	(7) →	(7) →	(7) →
174	GASKET, SOCKET HEAD SCREW	(3)AU52YA171	(3) →	(3) →	(3) →	(3) →
	ITEMS 160 & 175 ALSO INCLUDE:					
50	GASKET, CYLINDER HEAD	06EA503334	→	→	→	→
138	GASKET, VALVE PLATE(MED TEMP)	06EA504884	→	→	→	→
139	SCREW, CAP(VALVE PLT GSKT)	06EA501543	→	→	→	→
130	WASHER, CAP SCREW 1/4	06EA500992	→	→	→	→
178	KIT, VALVE PLT GSKT(LOOSE)	06ER660012	→	→	→	→
	INCLUDES ITEMS 136 & 156					
136	VALVE SUCTION (.025 THK)	(2)06EA500153	(2) →	(2) →	(2) →	(2) →
156	GASKET, VALVE PLATE (REFRIG)	06EA501853	→	→	→	→
180	NI CONTROL VALVE PKG (HGBP OR SCOU UNLOADING)	06EA660100	→	→	→	→
	INCLUDES ITEMS 177-174					
177	VALVE, CAP CONTROL(CCA/SING)	06EA404294	→	→	→	→
181	PISTON ASSY (FOR HGBP)	NSS	→	→	→	→
166	GASKET, UNLOADER	06EA501253	→	→	→	→
182	NI WRENCH, ALLEN	06EA680036	→	→	→	→
173	SCREW, SOCKET HEAD CAP	(3)AB44AA168	(3) →	(3) →	(3) →	(3) →
174	GASKET, SOCKET HEAD SCREW	(3)AU52YA171	(3) →	(3) →	(3) →	(3) →
183	NI CONTROL VALVE PKG ELEC (ALCO) (HGBP OR SCOU UNLOADING)	06EA660135	→	→	→	→
	INCLUDES ITEMS 171-174					
171	VALVE BODY ASSY(LESS COIL)	06EA405264	→	→	→	→
NI	PISTON ASSY (FOR HGBP ONLY)	06EA405264	→	→	→	→
166	GASKET, UNLOADER	06EA501253	→	→	→	→
173	SCREW, SOCKET HEAD CAP	(3)AB44AA1683	(3) →	(3) →	(3) →	(3) →
174	GASKET, SOC. HD. CAP SCR.	(3)AU52YA171	(3) →	(3) →	(3) →	(3) →
	COIL, UNLOADER (ALCO)					
NOTE:ALCO VALVES ARE IDENTIFIED BY SNAP CAP HOLDING COIL ON POST.						
184	24V-1-50/60	EF19ZE024	→	→	→	→
184	120V-1-50/60	EF19ZE120	→	→	→	→
184	208/240-1-50/60	EF19ZE240	→	→	→	→
	COIL, UNLOADER (CCA/SINGER)					
NOTE:CCA/SINGER COILS ARE IDENTIFIED BY HEX NUT HOLDING COIL ON POST.						
185	NI 120V-1-50/60	06EA401303	→	→	→	→
185	NI 208/240V-1-50/60	06EA401313	→	→	→	→
	VALVE,CAPACITY CONTROL (ELECTRIC, CCA/SINGER)	06EA400583	→	→	→	→
186	NI REWORK KIT PKG (SCOU)	06EA660079	→	→	→	→
	INCLUDES ITEMS 164-172					
164	PISTON (1 RING)	06EA505224	→	→	→	→
165	RING, SEAL	06EA502023	→	→	→	→
166	GASKET, UNLOADER VALVE	06EA501253	→	→	→	→
167	BODY, VALVE	06EA501352	→	→	→	→
168	SPRING, COMPRESSION	06EA501362	→	→	→	→
170	GASKET, VALVE COVER	06EA501382	→	→	→	→
172	STRAINER	6D75-601	→	→	→	→

NOTE: See "Catalog Notes" on last page for explanation of symbolism.

ITEM	PART DESCRIPTION	06E 265	06E 175	06E 275	06E 199	06E 299
		6 CYL	6 CYL	6 CYL	6 CYL	6 CYL
ACCESSORY GROUP CONT'D						
235	NI BLOCKING KIT PKG (SCOU ONLY)	06EA660147	→	→	→	→
	INCLUDES ITEMS 236-174					
236	BLOCKING SLEEVE	06EA601572	→	→	→	→
237	PLATE, COVER	06DA501032	→	→	→	→
166	GASKET, COVER	06EA501253	→	→	→	→
238	SCREW, SOCKET HEAD CAP	(3)AB44AA170	(3) →	(3) →	(3) →	(3) →
174	GASKET, SOCKET HEAD CAP SCREW	(3)AU52YA171	(3) →	(3) →	(3) →	(3) →
187	SENSOR, THERMAL A/C (OPEN 295 F)	HN68GA240	→	→	→	→
187	SENSOR, THERMAL (MED TEMP) (325F)	X	06EA501523	X	06EA501523	X
188	NI CYL HEAD SENSOR CONDUIT PKG	06EA601052	→	→	→	→
	INCLUDES ITEMS 189-194					
189	CONDUIT 3/8 20" LG.	NSS	→	→	→	→
190	CONNECTOR, CONDUIT (3/8)	(2)HW62EZ010	(2) →	(2) →	(2) →	(2) →
191	NI SLEEVE, ANTI-SHORT	(2)HW77EZ011	(2) →	(2) →	(2) →	(2) →
192	NI WIRE NUTS	(2)NSS	(2) →	(2) →	(2) →	(2) →
193	NI COUPLING, 1/2 PIPE	CA34BN151	→	→	→	→
194	NI PLATE, WARNING	NSS	→	→	→	→
NOTE: 188 IS REQ'D IF SENSOR (#187) NOT NOW ON COMPRESSOR.						
195	NI MODULE, PROTECTION (ROBT. SHAW)					
	208/240V-50/60 HZ	HN65BJ208	→	→	→	→
	115V-50/60 HZ	06EA660061	→	→	→	→
	INCLUDES ITEM 196					
196	NI MODULE	HN65BJ115	→	→	→	→
197	NI SWITCH, OIL PRESSURE SAFETY	P529-2110	→	→	→	→
198	NI DUAL PRESSURE CONTROL	P527-4322	→	→	→	→
	(AUTO RESET LOW & HIGH PRESS.)					
199	NI PRESSURE CONTROL	P527-1122	→	→	→	→
	(LOW PRESSURE AUTO RESET)					
200	NI PRESSURE CONTROL	P527-4422	→	→	→	→
	(HIGH PRESSURE MANUAL RESET)					
201	NI CRANKCASE HEATER PKG (120V)	06EA660148	→	→	→	→
	INCLUDES ITEM 202, 207-209					
202	NI HEATER, CRANKCASE (180 W)	HT36FZ379	→	→	→	→
203	NI HEATER, PKG CRANKCASE (240V)	06EA660149	→	→	→	→
	INCLUDES ITEM 204, 207-209					
204	NI HEATER, CRANKCASE (180 W)	HT36FZ479	→	→	→	→
205	NI HEATER PKG, CRANKCASE (480 V)	06DA660076	→	→	→	→
	INCLUDES ITEM 206-209					
206	NI HEATER, CRANKCASE (125 W)	HT36DL480	→	→	→	→
	ABOVE C'CASE HTR PKG'S INCLUDE					
207	NI CLIP, HEATER	ASB1VF056	→	→	→	→
208	NI BUSHING, ANTI-SHORT	HW77DZ011	→	→	→	→
209	NI COMPOND, HEAT SINK (SILICONE)	38AQ680001	→	→	→	→
210	NI SUSPENSION KIT, COMPRESSOR	06EA660089	→	→	→	→
	INCLUDES ITEMS 211-217					
211	NI SPRING	(4)06EA500262	(4) →	(4) →	(4) →	(4) →
212	NI CUP, SPRING	(2)50K4-1221	(2) →	(2) →	(2) →	(2) →
213	NI STUD	(4)06EA680073	(4) →	(4) →	(4) →	(4) →
214	NI SNUBBER, RUBBER	(4)6D73-2241	(4) →	(4) →	(4) →	(4) →
215	NI CUP, SNUBBER	(4)6D73-2251	(4) →	(4) →	(4) →	(4) →
216	NI NUT, FLANGED	(8)06EA680069	(8) →	(8) →	(8) →	(8) →
217	NI NUT, LOCK	(4)AT61JA241	(4) →	(4) →	(4) →	(4) →
218	NI COMPRESSOR MOUNTING PLATE PKG	06EA660096	→	→	→	→
	INCLUDES ITEMS 219-220					
219	NI PLATE, MOUNTING	06EA680072	→	→	→	→
220	NI SPACER	(4)30HR070-1071	(4) →	(4) →	(4) →	(4) →

NOTE: See "Catalog Notes" on last page for explanation of symbolism.

ITEM	PART DESCRIPTION	06E 265	06E 175	06E 275	06E 199	06E 299
		6 CYL	6 CYL	6 CYL	6 CYL	6 CYL
ACCESSORY GROUP CONT'D						
227	NI EQUALIZER LINE ADAPTER PKG (ATTACHES TO SIGHT GLASS CONN)	06EA660127	→	→	→	→
	INCLUDES ITEMS 73-229					
73	VALVE ASSY,CHECK (C'SHAFT)	(2)6D40-162	(2) →	(2) →	(2) →	(2) →
228	NI FLANGE,MANIFOLD (1-1/8 CU)	(2)06EA500392	(2) →	(2) →	(2) →	(2) →
55	" O " RING	(2)KK71GW015	(2) →	(2) →	(2) →	(2) →
229	SCREW,HEX HEAD CAP	(6)AB06BS172	(6) →	(6) →	(6) →	(6) →
230	NI MUFFLER PACKAGE	X	LM10HH100	X	06EA500712	X

NOTE: See "Catalog Notes" on last page for explanation of symbolism.

ITEM	PART DESCRIPTION	06E 150	06E 166	06E 165	06E 175	06E 099
		4 CYL	4 CYL	6 CYL	6 CYL	6 CYL
REPLACEMENT COMPRESSOR GROUP						
	575-3-60	06EY150140	06EY166140	06EY165140	06EY175140	06EY099140
	208/230-3-60	06EY150340	06EY166340	06EY165340	06EY175340	06EY099340
	400/460-3-50/60 XL	06EY150340	06EY166340	06EY165340	06EY175340	06EY099340
	400/460-3-50/60 PW	06EY150640PW	06EY16640PW	06EY16540PW	06EY175640PW	06EY099640PW
	230-3-50	X	X	X	X	X
	220/380-3-60	X	X	X	X	X
	415-3-50	X	X	X	X	X
IE : 06EY COMPRESSOR, SEE NOTE ON PAGE .						
REPLACEMENT MOTOR PACKAGE						
	MOTOR HORSEPOWER	15	20	20	25	30
	575-3-60	06EX445174	06EX460154	→	06EX475174	06EX490154
	208-3-60	X	06EX460454	→	06EX475314	06EX490654
	230-3-60	X	06EX460554	→	06EX475554	06EX490554
	NOTE 208/230-460-3-60	06EX445314	06EX460314	→	06EX475314	06EX490314
	460/400-3-50/60 PW	06EX445654	06EX460654	→	06EX475654	06EX490654
	230-3-50	X	06EX460854	→	06EX475854	06EX490854
	220/380-3-60	X	06EX460914	→	06EX475914	X
	415-3-50	X	X	X	X	X
06EX --- 54 MTRS HAVE 6 POWER & 4 R/S CONNS.. 06EX --- 14 ARE 9 LEAD FOR MULTIVOLT MOTORS. 06EX --- 74 MOTORS HAVE 6 LEADS. NOTE: REFER TO PMB 87-13 THIS MULTI VOLT COMPR MOTOR REQUIRES A 9 PIN TERM.PLT.06EA660087 & JUMPER BAR KIT 06EA660141 FOR 208/230 XL OR P/W & 460 XL WIRING.THIS COMPRESSOR IS NOT FOR 460 PW. THE MOTOR INDICATED FOR 460/400-3-50/60 PW IS WHAT MUST BE ORDERED . THIS PW MOTOR REQUIRES THE TEN PIN TERMINAL PLATE IN 06EA660051 PKG.						
1	NI MOTOR BURNOUT KIT	06EA660072	→	→	→	→
	INCLUDES ITEMS 134-71					
134	SUCTION VALVE PKG(SEE PG.7)	06EA660104	→	→	→	→
17	GASKET,MOTOR END COVER	(2)6F25-1013	(2) →	(2) →	(2) →	(2) →
3A	GASKET, TERMINAL PLATE	6G45-1082	→	→	→	→
17	GASKET,DISCH.VALVE 2 BOLT	6D40-1131	→	→	→	→
8	GASKET,DISCH VALVE 4 BOLT	6D68-1131	→	→	→	→
8A	GASKET,SUCT. VALVE	6G65-1061	→	→	→	→
61	GASKET,BOTTOM COVER	6D68-1043	→	→	→	→
69	BUSHING,MOTOR LOCKING PIN	06EA500211	→	→	→	→
70	PIN,MOTOR LOCKING ROLL	AX14CP235	→	→	→	→
71	GASKET,WASHER	AU51YA012	→	→	→	→
TERMINAL BOX & PLATE GROUP						
2	NI TERMINAL BOX & COVER PKG	06EA660095	→	→	→	→
	INCLUDES ITEMS 2A-2H					
2A	TERMINAL BOX	NSS	→	→	→	→
2B	COVER,TERM BOX (W/LABELS)	NSS	→	→	→	→
2C	GASKET,TERMINAL BOX	06EA501203	→	→	→	→
2D	PLATE,COVER (NO KO'S)	06EA500512	→	→	→	→
2E	NI PLATE,COVER (3 KO'S)	NSS	→	→	→	→
2F	NI PLATE,COVER (NESTED KO'S)	NSS	→	→	→	→
2G	SCREW,THREAD CUTTING (#10-24)	(16)NSS	(16) →	(16) →	(16) →	(16) →
2H	SCREW,LOCK (1/4-28)	(4)NSS	(4) →	(4) →	(4) →	(4) →
3	NI TERMINAL PLATE PKG	06EA660087	→	→	→	→
	(9 PIN TERMINAL PLATE)					
	INCLUDES ITEMS 3A-3E					
3A	GASKET, TERMINAL PLATE	6G45-1082	→	→	→	→
3B	BLOCK,CONNECTOR (3 PIN FLAT)	(3)06LA500282	(3) →	(3) →	(3) →	(3) →
3C	NUT,STEEL JAM (3/8-16)	(18)AT14QA241	(18) →	(18) →	(18) →	(18) →
3E	PLATE ASSY,TERMINAL (9 PIN)	NSS	→	→	→	→

NOTE: See "Catalog Notes" on last page for explanation of symbolism.

ITEM	PART DESCRIPTION	06E 150	06E 166	06E 165	06E 175	06E 099
		4 CYL	4 CYL	6 CYL	6 CYL	6 CYL
TERMINAL BOX & PLATE GROUP CONT'D						
3E	PLATE ASSY, TERMINAL (9 PIN)	NSS	→	→	→	→
3	NI TERMINAL PLATE PKG (6 PIN TERMINAL PLATE) INCLUDES ITEMS 3A-3F	06EA660125	→	→	→	→
3A	GASKET, TERMINAL PLATE	6645-1082	→	→	→	→
3D	BARRIER, PHASE (3 PIN)	(2)06EA500672	(2) →	(2) →	(2) →	(2) →
3C	NUT, STEEL JAM (3/8-16)	(12)AT140A241	(12) →	(12) →	(12) →	(12) →
3F	PLATE ASSY, TERMINAL (6 PIN)	NSS	→	→	→	→
3	NI TERMINAL PLATE PKG 10 PIN TERMINAL PLATE (6 POWER LEADS & 4 ROBT/SHAW) INCLUDES ITEMS 3A-3G	06EA660051	→	→	→	→
3A	GASKET, TERMINAL PLATE	6645-1082	→	→	→	→
3C	NUT, STEEL JAM (3/8-16)	(12)AT140A241	(12) →	(12) →	(12) →	(12) →
3D	BARRIER, PHASE(3 PIN)	(2)06EA500672	(2) →	(2) →	(2) →	(2) →
3G	PLATE ASSY, TERMINAL(10 PIN)	NSS	→	→	→	→
4	TERM LUGS(6 PAC)(#8-#4 WIRE)	HY85TB008	→	→	→	→
5	NI JUMPER BAR KIT(SEE PMB 87-13) (FOR USE ON MULTI-VOLT COMPR) INCLUDES ITEMS 5A-5E	06EA660141	→	→	→	→
5A	NI BAR, JUMPER (2 HOLE)	(3)NSS	(3) →	(3) →	(3) →	(3) →
5B	NI BAR, JUMPER (3 HOLE)	NSS	→	→	→	→
5C	NI BLOCK, CONNECTOR (3 PIN FLAT)	06LA500282	→	→	→	→
5D	NI NUT, STEEL JAM (3/8-16)	(9)AT140A241	(9) →	(9) →	(9) →	(9) →
5E	NI LABEL, WIRING	NSS	→	→	→	→
SERVICE VALVE GROUP						
6	NI SUCTION VALVE PKG INCLUDES ITEMS 7A-14	06EA660091	→	→	→	→
7A	SERVICE VALVE(2-1/8ODS 4-BOLT)	EM13FE051	→	→	→	→
8A	GASKET, VALVE	6665-1061	→	→	→	→
9A	SCREW, HEX HEAD CAP	(4)NSS	(4) →	(4) →	(4) →	(4) →
10C	CAP, VALVE (MUELLER)	EN99ZA009	→	→	→	→
10D	CAP, VALVE (HENRY)	EN99ZA022	→	→	→	→
11C	GASKET, VALVE CAP (MUELLER)	EN99ZA117	→	→	→	→
11D	GASKET, VALVE CAP (HENRY)	X	X	X	X	X
12	ADAPTER, TAILPIECE(MUELLER)	EM99ZA516	→	→	→	→
13	GASKET, ADAPTER (MUELLER)	EM99EA516	→	→	→	→
14	FLANGE, COMPANION (MUELLER)	EM99FA516	→	→	→	→
15	NI DISCHARGE VALVE PKG. INCLUDES ITEMS 16-20B	06DA660064	→	06DA660065	→	→
16	VALVE, SERVICE	EN07AA348	→	EN07EA039	→	→
17	GASKET, VALVE	6D40-1131	→	6D68-1131	→	→
18	NI SCREW, HEX HEAD CAP	(2)NSS	(2) →	(4) →	(4) →	(4) →
19A	NI CAP, VALVE (MUELLER)	EN99ZA006	→	→	→	→
19B	NI CAP, VALVE (HENRY)	EN99ZA013	→	→	→	→
20A	NI GASKET, VALVE CAP(MUELLER)	EN99ZA103	→	→	→	→
20A	NI GASKET, VALVE CAP(HENRY)	X	X	X	X	X
15	DISCHARGE VALVE PKG. (ALT) INCLUDES ITEMS 26-30B	X	X	06EA660090	→	→
26	VALVE, SERVICE 1-5/8 ODS, 4 BOLT	X	X	EN07EA041	→	→
27	GASKET, VALVE	X	X	6D68-1131	→	→
28	SCREW, HEX HEAD CAP	X	X	(4)NSS	(4) →	(4) →
29A	NI CAP, VALVE (MUELLER)	X	X	EN99ZA006	→	→
29B	NI CAP, VALVE (HENRY)	X	X	EN99ZA013	→	→
30A	NI GASKET, VALVE CAP(MUELLER)	X	X	EN99ZA103	→	→
30B	NI GASKET, VALVE CAP(HENRY)	X	X	X	X	X

NOTE: See "Catalog Notes" on last page for explanation of symbolism.

ITEM	PART DESCRIPTION	06E 150	06E 166	06E 165	06E 175	06E 099
		4 CYL	4 CYL	6 CYL	6 CYL	6 CYL
COMPRESSOR BODY GROUP						
36	NI PAINT (SEA FOAM GREEN)	PH230K016	→	→	→	→
38	NI GASKET PACKAGE #	06ER660009	→	→	→	→
39	HEAD,CYL(SIDE)W/1/4 & 1/2 NPT	(2)06EA502064	(2) style="text-align: center;">→	(2) style="text-align: center;">→	(2) style="text-align: center;">→	(2) style="text-align: center;">→
40	HEAD,CENTER CYL (W 1/2 NPT)	X	X	06EA502074	→	→
41	HEAD,CENTER CYL(REV) W 1/2 NPT	X	X	06EA502084	→	→
43	HEAD,UNLOADING CYL (S C O U)	06EA503524	→	→	→	→
44	GASKET,CYLINDER HEAD (PLAIN)	06EA503304	→	→	→	→
45	GASKET,CYLINDER HEAD (CENTER)	X	X	06EA503314	→	→
47	GASKET,CYLINDER HEAD (S C O U)	06EA503334	→	→	→	→
48	SCREEN ASSY,OIL FILTER	6D40-103	→	→	→	→
49	TUBE,OIL SUCTION	06EA500233	→	→	→	→
50	GLASS,OIL SIGHT(W/"O" RING GRV)	KM39BND10	→	→	→	→
51	CVR,BLANK OFF(W/"O" RING GRV)	06EA501212	→	→	→	→
52	"O" RING (1 1/2" O.D.)	(2)KK71GW015	(2) style="text-align: center;">→	(2) style="text-align: center;">→	(2) style="text-align: center;">→	(2) style="text-align: center;">→
53	SCREW,HEX HEAD CAP	(6)AB06GR169	(6) style="text-align: center;">→	(6) style="text-align: center;">→	(6) style="text-align: center;">→	(6) style="text-align: center;">→
54	WASHER,LOCK 1/4	(6)AU61ML171	(6) style="text-align: center;">→	(6) style="text-align: center;">→	(6) style="text-align: center;">→	(6) style="text-align: center;">→
55	PLUG,PIPE 1/4 NPT	(5)CA63AA051	(5) style="text-align: center;">→	(5) style="text-align: center;">→	(5) style="text-align: center;">→	(5) style="text-align: center;">→
56	PLUG,PIPE 1/2 NPT	(3)CA63AA101	(3) style="text-align: center;">→	(3) style="text-align: center;">→	(3) style="text-align: center;">→	(3) style="text-align: center;">→
57	PLUG,OIL BYPASS 5/8-18 UNF	5H40-1141	→	→	→	→
57A	ADAPTER 5/8-18 UNF TO 1/4 FPT	5F20-1311	→	→	→	→
57B	DRAIN PLUG,MAGNETIC 5/8-18 UNF	(2)CA99AA101	(2) style="text-align: center;">→	(2) style="text-align: center;">→	(2) style="text-align: center;">→	(2) style="text-align: center;">→
58	WASHER,GASKET 5/8 (7/8 O.D.)	(2)AU51YA011	(2) style="text-align: center;">→	(2) style="text-align: center;">→	(2) style="text-align: center;">→	(2) style="text-align: center;">→
60	COVER,BOTTOM	6D68-1274	→	→	→	→
61	GASKET,BOTTOM COVER	6D68-1043	→	→	→	→
62	BRACKET,C'CASE HEATER	06EA501142	→	→	→	→
63	BEARING,MAIN (PUMP END)	06EA500352	→	→	→	→
64	BEARING,MAIN (MOTOR END)	06EA500362	→	→	→	→
65	ORIFICE ASSY,OIL RETURN	06EA400982	→	→	→	→
	INCLUDES ITEM 66:					
66	STRAINER	6D75-601	→	→	→	→
67	VALVE,INTERNAL RELIEF	EB51FN272	→	→	→	→
67A	GASKET,INTERNAL RELIEF VALVE	6G65-1251	→	→	→	→
68	STRAINER ASSY,SUCTION	06DA402133	→	→	→	→
69	BUSHING,MOTOR LOCKING PIN	06EA500211	→	→	→	→
70	PIN,MOTOR LOCKING ROLL	AX14CP235	→	→	→	→
71	GASKET,ACORN NUT (3/4)	AU51YA012	→	→	→	→
72	NUT,ACORN 3/4-16	AT27MA363	→	→	→	→
73	VALVE ASSY,CHECK (SHAFT END)	6D40-162	→	→	→	→
73A	STUD,FAN MOUNTING	(4)06EA501973	(4) style="text-align: center;">→	(4) style="text-align: center;">→	(4) style="text-align: center;">→	(4) style="text-align: center;">→
INSTALLED IN MOTOR END OF ROTOR BOLT (IT #106) WHEN COMPRESSORS INTER-CONNECTED. (ALSO SEE PMB89-82 DTD 5/30/89)						
74	NI SPACER,MOTOR RING (3/4" WIDE)	06EA500342	→	→	→	→
NOTE: USED IN OLDER MODELS BETWEEN ROTOR AND CRANKCASE. REMOVE IF REPLACING MOTOR.						
75	COVER,MOTOR END	06EA500094	→	→	→	→
76	VALVE ASSY	06DA403844	→	→	→	→
76A	CAP,VALVE	DD19CA061	→	→	→	→
77	GASKET,MOTOR END COVER	6F25-1013	→	→	→	→
78	SPACER,MOTOR END (1" THK)	X	X	X	X	X
79	BOLT,MOTOR END COVER MTG	(18)AA068R271	(18) style="text-align: center;">→	(18) style="text-align: center;">→	(18) style="text-align: center;">→	(18) style="text-align: center;">→
81	FOOT,COMPRESSOR	06EA501172	→	→	→	→

06ER660009 CONTAINS ITEMS 3A,8A,17,52,58,61,67A,71,77,87,91,93,94 95,154,166 & 209.QUANTITIES OF EA.ARE SUFFICIENT FOR ANY SIZE COMPR.

NOTE: See "Catalog Notes" on last page for explanation of symbolism.



AIR CONDITIONING MEDIUM TEMP REFRIGERATION COMPRESSORS

06E

ITEM	PART DESCRIPTION	06E 150	06E 166	06E 165	06E 175	06E 099
		4 CYL	4 CYL	6 CYL	6 CYL	6 CYL
PUMP END GROUP						
82	NI BEARING HEAD PKG	06EA660001	→	→	→	→
NOTE: BRG. HEAD HAS 1/4 NPT CONN FOR OIL SAFETY SWITCH WHICH IS NOT INC.						
INCLUDES ITEMS 84-96						
84	BEARING HEAD ASSY	NSS	→	→	→	→
85	SCREW, HEX HEAD	(4)AA06GR199	(4) →	(4) →	(4) →	(4) →
86	COVER, PUMP END	7J1-6002	→	→	→	→
87	GASKET, PUMP END COVER	6D40-1061	→	→	→	→
88	GUIDE VANE, OIL FEED	6D40-1171	→	→	→	→
89	SPRING, OIL FEED GUIDE VANE	6D40-1112	→	→	→	→
90	DRIVE SEGMENT OIL PUMP	6D40-1191	→	→	→	→
91	WASHER, CAPSCREW	(4)AU51YA003	(4) →	(4) →	(4) →	(4) →
92	SCREW, SOCKETHEAD CAP	(2)NSS	(2) →	(2) →	(2) →	(2) →
93	LOCKWASHER #10	AU61ML131	→	→	→	→
94	LOCKWASHER 1/4	AU61ML171	→	→	→	→
95	GASKET, BEARING HEAD	06EA501513	→	→	→	→
96	PLUG, PIPE 1/4 NPT	CA63AA051	→	→	→	→
97	SCREW, HEXHEAD CAP (7/16-14)	(8)AA06BR262	(8) →	(8) →	(8) →	(8) →
DRIVE TRAIN GROUP						
100	CRANKSHAFT ASSY (INC'L HDW'R)	06EA401993	06EA400693	06EA402013	06EA402003	06EA402043
100A	CRANKSHAFT ASSY (.010 UNDERSIZE)	06EA401993S1	06EA400693S1	06EA402013S1	06EA402003S1	06EA402043S1
NOTE: UNDERSIZED CRANKSHAFTS CAN BE IDENTIFIED BY "A" STAMPED ON PUMP END OF SHAFT OR BY REFERING TO DETAIL "S" ON PAGE 17 OF THIS CATALOG.						
101	WASHER, BEARING (3" DIA. BRONZE)	06EA500101	→	→	→	→
102	PIN, CRANKSHAFT SPIROL 5/32X5/8	AX13AA091	→	→	→	→
103	KEY, ROTOR (3/8 SQ X 2 3/4)	AW01DA224	→	→	→	→
104	PLATE WASHER, ROTOR (2-1/4 DIA)	06EA500171	→	→	→	→
105	LOCKWASHER, ROTOR (5 POINT)	06EA500141	→	→	→	→
106	BOLT, ROTOR LOCK (5/8-11X1-3/4)	06EA500341	→	→	→	→
107	NI PISTON & PIN PKG	(4)06ER660013	(4) →	(6)06ER660014	(6)06ER660013	(6) →
INCLUDES ITEMS 108 - 110						
108	PISTON (1 STEP CONTOUR TOP)	NSS	→	→	→	→
109	PIN, PISTON	06EA500111	→	→	→	→
110	RING, PISTON PIN RETAINING	(2)06EA500131	(2) →	(2) →	(2) →	(2) →
107A	NI PISTON & PIN PKG (+ .020)	06EA660015	→	06EA660016	06EA660015	→
INCLUDES ITEMS 108 - 110						
108A	PISTON (1 STEP CONTOUR TOP)	NSS	→	→	→	→
109	PIN, PISTON	06EA500111	→	→	→	→
110	RING, PISTON PIN RETAINING	(2)06EA500131	(2) →	(2) →	(2) →	(2) →
NOTE: QUANTITY OF OVERSIZED PISTONS REQUIRED IS DETERMINED BY NUMBER OF CYLINDERS WITH .020 STAMPED ON CYLINDER DECK ADJACENT TO EACH OF ANY OVERSIZED CYLINDERS. NOT ALL MAY BE MARKED, ONLY 1 OR 2.						

NOTE: See "Catalog Notes" on last page for explanation of symbolism.

ITEM	PART DESCRIPTION	06E 150	06E 166	06E 165	06E 175	06E 099
		4 CYL	4 CYL	6 CYL	6 CYL	6 CYL
DRIVE TRAIN GROUP CONT D						
115	NI CONN ROD & CAP PKG	(4)06EA660034	(4)06EA660026	(6)06EA660034	(6) →	(6) →
	INCLUDES ITEMS 116-118:					
116	CONN ROD & CAP	NSS	→	→	→	→
117	SCREW, SELF LOCK SOCKET CAP	(2)06EA501833	(2) →	(2) →	(2) →	(2) →
118	WASHER, FLAT	(2)A0U04A266	(2) →	(2) →	(2) →	(2) →
115A	CONN ROD & CAP PKG (- .010)	06EA660086	06EA660085	06EA660086	→	06EA660085
	INCLUDES ITEMS 116-118					
116	CONN ROD & CAP	NSS	→	→	→	→
117	SCREW, SELF LOCK SOCKET CAP	(2)06EA501833	(2) →	(2) →	(2) →	(2) →
118	WASHER, FLAT	(2)A0U04A266	(2) →	(2) →	(2) →	(2) →
119	RING PACKAGE, OIL (PKG OF 12)	06EA660010	→	→	→	→
119A	RING PKG, OIL (+ .020)(PKG OF 12)	06EA660011	→	→	→	→
120	RING PKG, COMPRESS. (PKG OF 12)	06EA660081	→	→	→	→
120A	RING PKG, COMPRESS(+ .020)12 PCS	06EA660082	→	→	→	→
VALVE PLATE GROUP						
150	NI VALVE PLATE PKG (HI EFFIC)	(2)06EA660143	(2) →	(3) →	(3) →	(3) →
	INCLUDES ITEMS 151-159					
151	VALVE PLATE ASSY	NSS	→	→	→	→
	INCLUDES ITEMS 127-158					
127	VALVE, DISCHARGE	(2)06EA504914	(2) →	(2) →	(2) →	(2) →
128	VALVE STOP, RIGHT HAND	06EA504894	→	→	→	→
129	VALVE STOP, LEFT HAND	06EA504904	→	→	→	→
130	WASHER, FLAT 1/4	(4)06EA500992	(4) →	(4) →	(4) →	(4) →
131	SCREW, SELF LOCK HEX HD	(4)06EA501843	(4) →	(4) →	(4) →	(4) →
132	SUPPORT, VALVE STOP(RT HAND) #	06EA504994	→	→	→	→
133	SUPPORT, VALVE STOP(LF HAND) #	06EA504984	→	→	→	→
154	NI SUCTION VALVE PKG	06EA660142	→	→	→	→
	INCLUDES ITEMS 155-158					
136	VALVE, SUCTION (.025 THK)	(2)06EA500153	(2) →	(2) →	(2) →	(2) →
156	GASKET, VALVE PLATE	06EA501853	→	→	→	→
49	GASKET, CYL HEAD (H 6 B P)	06EA503314	→	→	→	→
139	SCREW, SELF LOCKING	06EA501543	→	→	→	→
130	WASHER, FLAT 1/4	06EA500992	→	→	→	→
159	VALVE PLATE GASKET KIT	06ER660012	→	→	→	→
	INCLUDES ITEMS 155 & 156					
155	VALVE, SUCTION (.025 THK)	(2)06EA500153	(2) →	(2) →	(2) →	(2) →
156	GASKET, VALVE PLATE	06EA501853	→	→	→	→
150A	NI VALVE PLATE PKG.(STD. EFFIC.)	NLA	(2) →	(3) →	(3) →	(3) →
	INCLUDES ITEMS 151A-132A					
151A	VALVE PLATE ASSY	(2)NSS	(2) →	(3) →	(3) →	(3) →
	INCLUDES ITEMS 127A-132A					
143	STOP, DISCHARGE VALVE	(2)06EA500682	(2) →	(2) →	(2) →	(2) →
144	VALVE, DISCHARGE	(2)06EA501363	(2) →	(2) →	(2) →	(2) →
130	WASHER, FLAT 1/4	(4)06EA500992	(4) →	(4) →	(4) →	(4) →
145	SCREW, POLY-LOK CAP 1/4 -28	(4)AB06FQ168	(4) →	(4) →	(4) →	(4) →
146	SUPPORT, VALVE STOP	(2)06EA501302	(2) →	(2) →	(2) →	(2) →
137	DOWEL PIN	(8)06EA501012	(8) →	(12) →	(12) →	(12) →

#NOTE: EARLY VERSIONS OF HI-EFFIC REFRIG. VALVE PLATES DID NOT USE VALVE STOP SUPPORTS 06EA504984, 994.

NOTE: See "Catalog Notes" on last page for explanation of symbolism.



AIR CONDITIONING MEDIUM TEMP REFRIGERATION COMPRESSORS

06E

ITEM	PART DESCRIPTION	06E 150	06E 166	06E 165	06E 175	06E 099
		4 CYL	4 CYL	6 CYL	6 CYL	6 CYL
ACCESSORY GROUP						
160	NI CAPACITY CONTROL ACCESS.PKG. (ELECTRIC SUCTION CUT-OFF) (UNLOADING LESS COIL) INCLUDES ITEMS 161-174 AND ITEMS 50-156	06EA660138	→	→	→	→
161	NI CYLINDER HEAD ASSY INCLUDES ITEMS 162-174	NSS	→	→	→	→
162	CYLINDER HEAD (UNPAINTED)	06EA503524	→	→	→	→
163	PISTON ASSY (1 RING)	06EA402033	→	→	→	→
NOTE: PREVIOUS DESIGN PISTON WITH 2 RINGS NLA, REPLACE WITH 1 RING TYPE.						
INCLUDES ITEMS 164-165						
164	PISTON	06EA502224	→	→	→	→
165	RING, SEAL (TEFLON W/SPRING)	06EA502023	→	→	→	→
166	GASKET, UNLOADER VALVE	06EA501253	→	→	→	→
167	BODY, VALVE	06EA501352	→	→	→	→
168	SPRING, COMPRESSION	06EA501362	→	→	→	→
169	COVER, VALVE	06EA502662	→	→	→	→
170	GASKET, VALVE COVER	06EA501382	→	→	→	→
171	VALVE BODY ASSY (ALCO) W/O COIL	06DA405264	→	→	→	→
172	STRAINER	6D75-601	→	→	→	→
173	SCREW, SOCKET CAP	(7)AB44AA168	→	→	→	→
174	GASKET, SOCKET CAP SCREW 1/4	(3)AU52YA171	→	→	→	→
175	NI CAPACITY CONTROL ACCESS PKG (PRESS. SUCT. CUT-OFF UNLO) INCLUDES ITEMS 176-156	06EA660139	→	→	→	→
176	NI CYLINDER HEAD ASSY INCLUDES ITEMS 162-174	NSS	→	→	→	→
162	CYLINDER HEAD (UNPAINTED)	06EA503524	→	→	→	→
163	PISTON ASSY (1 RING)	06EA402033	→	→	→	→
NOTE: PREVIOUS DESIGN PISTON WITH 2 RINGS NLA, REPLACE WITH 1 RING TYPE.						
INCLUDES ITEMS 164-165						
164	PISTON	06EA505224	→	→	→	→
165	RING, SEAL (TEFLON W/SPRING)	06EA502023	→	→	→	→

NOTE: See "Catalog Notes" on last page for explanation of symbolism.

ITEM	PART DESCRIPTION	06E 150	06E 166	06E 165	06E 175	06E 099
		4 CYL	4 CYL	6 CYL	6 CYL	6 CYL
ACCESSORY GROUP CONT'D						
166	GASKET, UNLOADER VALVE	06EA501253	→	→	→	→
167	BODY, VALVE	06EA501352	→	→	→	→
168	SPRING, COMPRESSION	06EA501362	→	→	→	→
169	COVER, VALVE	06EA502662	→	→	→	→
170	GASKET, VALVE COVER	06EA501382	→	→	→	→
177	VALVE BODY ASSY(CCA/SINGER)	06EA404294	→	→	→	→
172	STRAINER	6D75-601	→	→	→	→
173	SCREW, SOCKET HEAD CAP	(7)AB44AA168	(7) →	(7) →	(7) →	(7) →
174	GASKET, SOCKET HEAD SCREW	(3)AU52YA171	(3) →	(3) →	(3) →	(3) →
ITEMS 160 & 175 ALSO INCLUDE:						
50	GASKET, CYLINDER HEAD	06EA503334	→	→	→	→
138	GASKET, VALVE PLATE(MED TEMP)	06EA504884	→	→	→	→
139	SCREW, CAP(VALVE PLT GSKT)	06EA501543	→	→	→	→
130	WASHER, CAP SCREW 1/4	06EA500992	→	→	→	→
178 NI	KIT, VALVE PLT GSKT(LOOSE)	06ER660012	→	→	→	→
INCLUDES ITEMS 136 & 156						
136	VALVE SUCTION (.025 THK)	(2)06EA500153	(2) →	(2) →	(2) →	(2) →
156	GASKET, VALVE PLATE (REFRIG)	06EA501853	→	→	→	→
180 NI	CONTROL VALVE PKG (PRESSURE)	06EA660100	→	→	→	→
(HGBP OR SCOU UNLOADING)						
INCLUDES ITEMS 177-174						
177	VALVE, CAP CONTROL(CCA/SING)	06EA404294	→	→	→	→
181	PISTON ASSY (FOR HGBP)	NSS	→	→	→	→
166	GASKET, UNLOADER	06EA501253	→	→	→	→
182 NI	WRENCH, ALLEN	06EA680036	→	→	→	→
173	SCREW, SOCKET HEAD CAP	(3)AB44AA168	(3) →	(3) →	(3) →	(3) →
174	GASKET, SOCKET HEAD SCREW	(3)AU52YA171	(3) →	(3) →	(3) →	(3) →
183 NI	CONTROL VALVE PKG ELEC (ALCO)	06EA660135	→	→	→	→
(HGBP OR SCOU UNLOADING)						
INCLUDES ITEMS 171-174						
171	VALVE BODY ASSY(LESS COIL)	06EA405264	→	→	→	→
181 NI	PISTON ASSY (FOR HGBP ONLY)	06EA405264	→	→	→	→
166	GASKET, UNLOADER	06EA501253	→	→	→	→
173	SCREW, SOCKET HEAD CAP	(3)AB44AA168	(3) →	(3) →	(3) →	(3) →
174	GASKET, SOCKET HEAD CAP SCREW	(3)AU52YA171	(3) →	(3) →	(3) →	(3) →
COIL, UNLOADER (ALCO)						
NOTE:ALCO VALVES ARE IDENTIFIED BY SNAP CAP HOLDING COIL ON POST.						
184	24V-1-50/60	EF19ZE024	→	→	→	→
184	120V-1-50/60	EF19ZE120	→	→	→	→
184	208/240V-1-50/60	EF19ZE240	→	→	→	→
COIL UNLOADER (CCA/SINGER)						
NOTE:CCA/SINGER COILS ARE IDENTIFIED BY HEX NUT HOLDING COIL ON POST.						
185 NI	120V-1-50/60	06EA401303	→	→	→	→
185 NI	208/240V-1-50/60	06EA401313	→	→	→	→
VALVE, CAPACITY CONTROL						
ELECTRIC (CCA/SINGER)						
186 NI	REWORK KIT PKG (SCOU)	06EA660079	→	→	→	→
INCLUDES ITEMS 164-172						
164	PISTON (SINGLE RING)	06EA505224	→	→	→	→
165	RING, SEAL	06EA502023	→	→	→	→
166	GASKET, UNLOADER VALVE	06EA501253	→	→	→	→
167	BODY, VALVE	06EA501352	→	→	→	→
168	SPRING, COMPRESSION	06EA501362	→	→	→	→
170	GASKET, VALVE COVER	06EA501382	→	→	→	→
172	STRAINER	6D75-601	→	→	→	→

NOTE: See "Catalog Notes" on last page for explanation of symbolism.



AIR CONDITIONING MEDIUM TEMP REFRIGERATION COMPRESSORS

06E

ITEM	PART DESCRIPTION	06E 150	06E 166	06E 165	06E 175	06E 099
		4 CYL	4 CYL	6 CYL	6 CYL	6 CYL
ACCESSORY GROUP CONT'D						
235	NI BLOCKING KIT PKG (SCOU ONLY)	06EA660147	→	→	→	→
	INCLUDES ITEMS 236-174					
236	BLOCKING SLEEVE	06EA601572	→	→	→	→
237	PLATE, COVER	06DA501032	→	→	→	→
166	GASKET, COVER	06EA501253	→	→	→	→
238	SCREW, SOCKET HEAD CAP	(3)AB44AA170	(3) →	(3) →	(3) →	(3) →
174	NI GASKET, SOCKET HEAD CAP SCREW	(3)AU52YA171	(3) →	(3) →	(3) →	(3) →
187	SENSOR, THERMAL (OPEN 325 F)	06EA501523	→	→	→	→
188	NI CYL HEAD SENSOR CONDUIT PKG	06EA601052	→	→	→	→
	INCLUDES ITEMS 189-194					
189	CONDUIT 3/8 20" LG.	NSS	→	→	→	→
190	CONNECTOR, CONDUIT (3/8)	(2)HW62EZ010	(2) →	(2) →	(2) →	(2) →
191	NI SLEEVE, ANTI-SHORT	(2)HW77EZ011	(2) →	(2) →	(2) →	(2) →
192	NI WIRE NUTS	(2)NSS	(2) →	(2) →	(2) →	(2) →
193	NI COUPLING, 1/2 PIPE	CA34BN151	→	→	→	→
194	NI PLATE, WARNING	NSS	→	→	→	→
NOTE: 188 IS REQ'D IF SENSOR (#187) NOT NOW ON COMPRESSOR.						
195	NI MODULE, PROTECTION (ROBT. SHAW)					
	208/240V-50/60 HZ	HN65BJ208	→	→	→	→
	115V-50/60 HZ	06EA660061	→	→	→	→
	INCLUDES ITEM 196					
196	NI MODULE	HN65BJ115	→	→	→	→
197	NI SWITCH, OIL PRESSURE SAFETY	P529-2110	→	→	→	→
198	NI DUAL PRESSURE CONTROL	P527-4322	→	→	→	→
	(AUTO RESET LOW & HIGH PRESS.)					
199	NI PRESSURE CONTROL	P527-1122	→	→	→	→
	(LOW PRESSURE AUTO RESET)					
200	NI PRESSURE CONTROL	P527-4422	→	→	→	→
	(HIGH PRESSURE MANUAL RESET)					
201	NI CRANKCASE HEATER PKG (120V)	06EA660148	→	→	→	→
	INCLUDES ITEM 202, 207-209					
202	NI HEATER, CRANKCASE (180 W)	HT36FZ379	→	→	→	→
203	NI HEATER, PKG CRANKCASE (240V)	06EA660149	→	→	→	→
	INCLUDES ITEM 204, 207-209					
204	NI HEATER, CRANKCASE (180 W)	HT36FZ479	→	→	→	→
205	NI HEATER PKG, CRANKCASE (480 V)	06DA660076	→	→	→	→
	INCLUDES ITEM 206-209					
206	NI HEATER, CRANKCASE (125 W)	HT36DL480	→	→	→	→
	ABOVE C'CASE HTR PKG'S INCLUDE					
207	NI CLIP, HEATER	AS81VF056	→	→	→	→
208	NI BUSHING, ANTI-SHORT	HW77DZ011	→	→	→	→
209	NI COMPOUND, HEAT SINK (SILICONE)	38AQ680001	→	→	→	→
210	NI SUSPENSION KIT, COMPRESSOR	06EA660089	→	→	→	→
	INCLUDES ITEMS 211-217					
211	NI SPRING	(4)06EA500262	(4) →	(4) →	(4) →	(4) →
212	NI CUP, SPRING	(2)50K4-1221	(2) →	(2) →	(2) →	(2) →
213	NI STUD	(4)06EA680073	(4) →	(4) →	(4) →	(4) →
214	NI SNUBBER, RUBBER	(4)6D73-2241	(4) →	(4) →	(4) →	(4) →
215	NI CUP, SNUBBER	(4)6D73-2251	(4) →	(4) →	(4) →	(4) →
216	NI NUT, FLANGED	(8)06EA680069	(8) →	(8) →	(8) →	(8) →
217	NI NUT, LOCK	(4)AT61JA241	(4) →	(4) →	(4) →	(4) →
218	NI COMPRESSOR MOUNTING PLATE PKG	06EA660096	→	→	→	→
	INCLUDES ITEMS 219-220					
219	NI PLATE, MOUNTING	06EA680072	→	→	→	→
220	NI SPACER	(4)30HR070-1071	(4) →	(4) →	(4) →	(4) →

NOTE: See "Catalog Notes" on last page for explanation of symbolism.



AIR CONDITIONING MEDIUM TEMP REFRIGERATION COMPRESSORS

06E

ITEM	PART DESCRIPTION	06E 150	06E 166	06E 165	06E 175	06E 099
		4 CYL	4 CYL	6 CYL	6 CYL	6 CYL
ACCWESSORY GROUP CONT'D						
221	NI CYL. HEAD FAN COOLING PKG. (FOR REFRIG COMPRESSOR CYLINDER HEAD COOLING) INCLUDES ITEMS 222-231	06ER660011	→	→	→	→
222	NI FAN (3 BLADE, 12" DIA)	NSS	→	→	→	→
223	FAN GUARD & MOTOR MTG ASSY	06EA401283	→	→	→	→
224	COVER ASSY, FAN GUARD	06EA401293	→	→	→	→
225	MOTOR, FAN 1/20HP, 208/230-1-60	HC27GB230	→	→	→	→
226	NI CONDUIT, FLEX	NSS	→	→	→	→
227	NI CONNECTOR, BX	HW60EZ158	→	→	→	→
228	NI THD CUTTING SCREW, #10-24	(3)NSS	(3) →	(3) →	(3) →	(3) →
229	NI HEX NUTS, 1/2-13	(4)NSS	(4) →	(4) →	(4) →	(4) →
230	NI WASHER, 1/2" PLATE	(8)NSS	(8) →	(8) →	(8) →	(8) →
231	NI MACH SCREW, #10-32	(4)NSS	(4) →	(4) →	(4) →	(4) →
232	NI FAN REPLACEMENT PKG (TO SERVICE ITEM 221) INCLUDES ITEMS 222-234	06ER660007	→	→	→	→
222	NI FAN (3 BLADE 12" DIA)	NSS	→	→	→	→
233	NI BUSHING (1/2 X 3/8)	P251-0064	→	→	→	→
234	NI SET SCREW	AE54FR167	→	→	→	→
235	NI EQUALIZER LINE ADAPTER PKG (ATTACHES TO SIGHT GLASS CONN) INCLUDES ITEMS 73-238	06EA660127	→	→	→	→
73	NI VALVE ASSY, CHECK (C' SHAFT)	(2)6D40-162	(2) →	(2) →	(2) →	(2) →
236	NI FLANGE, MANIFOLD (1-1/8 CU)	(2)06EA500392	(2) →	(2) →	(2) →	(2) →
52	NI "O" RING GASKET	(2)KK71GW015	(2) →	(2) →	(2) →	(2) →
237	NI SCREW, HEX HEAD CAP	(6)A806BS172	(6) →	(6) →	(6) →	(6) →
238	NI MUFFLER PACKAGE	06EA500302	→	LM10HH100	→	→

NOTE: See "Catalog Notes" on last page for explanation of symbolism.

Litho in U.S.A.