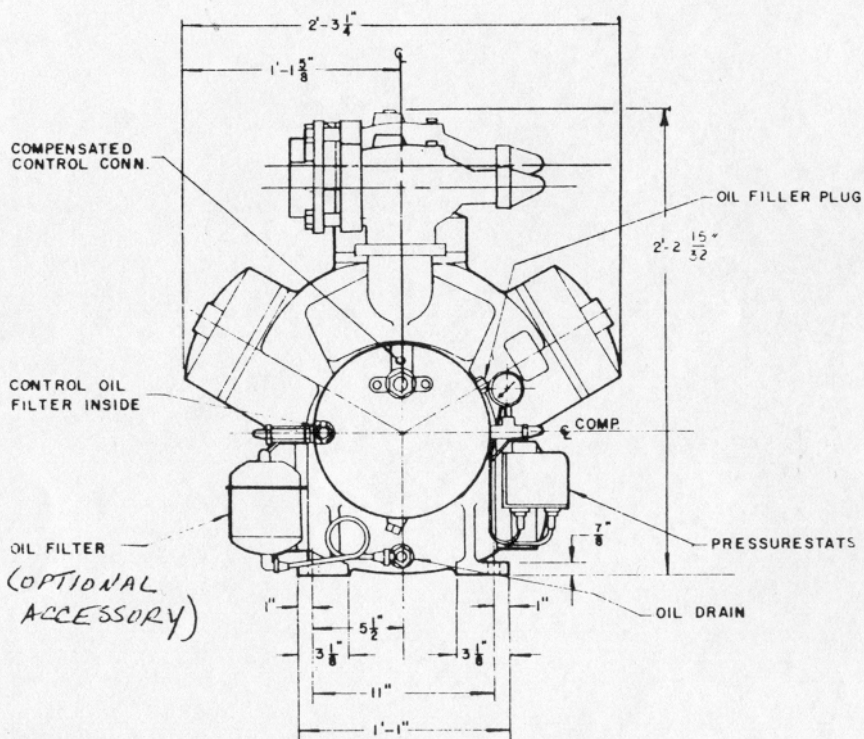
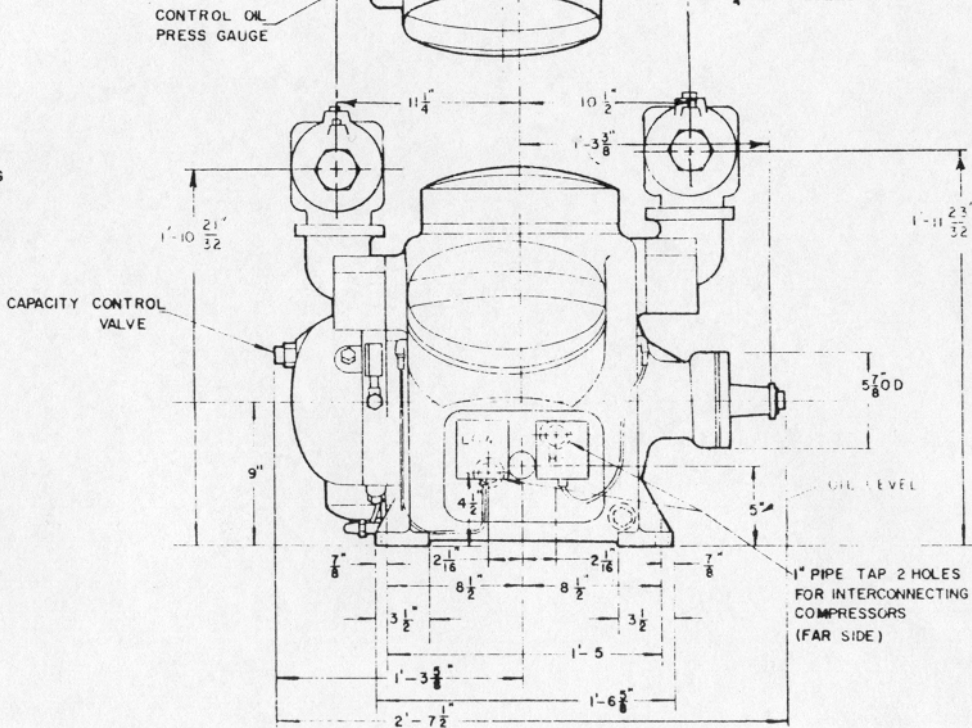
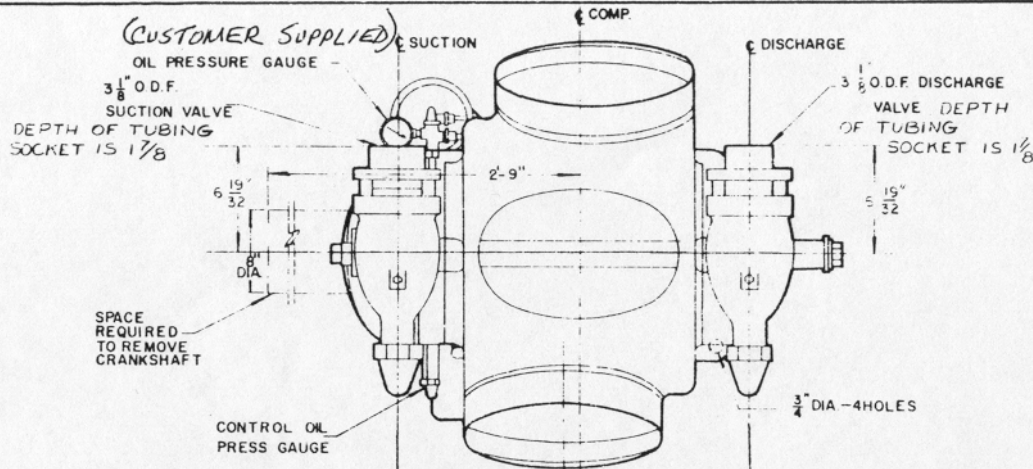


NOTES:

1. SHAFT DETAIL DRAWING 5F-531
2. COMPRESSOR MAY BE OPERATED IN EITHER DIRECTION OF ROTATION. STANDARD ROTATION IS COUNTER CLOCKWISE LOOKING FROM THE PUMP END; FOR REVERSE ROTATION ROTATE OIL PUMP 180°.
3. NET WEIGHT 795 LBS. INCLUDES OIL BUT NOT REFRIGERANT CHARGE.

	YES	NO
FLYWHEEL	<input type="checkbox"/>	<input type="checkbox"/>
WATER COOLED HEADS	<input type="checkbox"/>	<input type="checkbox"/>
CRANKCASE COVER PLATES FOR COMPRESSOR INTERCONNECTION	<input type="checkbox"/>	<input type="checkbox"/>



COMPRESSOR

MARK FOR _____

PART NO. _____ TYPE DRIVE: DIRECT BELT

RPM _____ DESIGN BHP INPUT _____ MOTOR HP _____

SAT SUCTION TEMP. _____ F. SAT DISCHARGE TEMP. _____ F

REFRIGERATION EFFECT _____ TONS. REFRIGERANT NO. _____

JOB NAME _____

JOB LOCATION _____

BUYER _____

BUYER NO. _____ CARRIER NO. _____

DIMENSIONS CERTIFIED BY _____ DATE _____

COMPRESSOR ASSEMBLY
5H60 & 5H66

5H60-A201

REV.



THIS DRAWING IS THE PERSONAL PROPERTY OF
CARRIER AIR CONDITIONING COMPANY
DIVISION OF CARRIER CORPORATION, SYCAMORE, N.Y.
ALL USE IS PROHIBITED EXCEPT ON ITS WRITTEN CONSENT

5H

DATE: 3-20-73
SUPERSEDES: 5H-060, DATED 12-1-67