

SUBJECT: 06D and D-Body, 06CC Compressor Enhancements

DATE: July 8th, 2015 – Revised October 27th, 2015

AUTHOR: John Byrnes

<input checked="" type="checkbox"/> PRODUCT	<input type="checkbox"/> SERVICE & PARTS	<input type="checkbox"/> GENERAL
---	--	----------------------------------

Products Impacted: 06D, 06CC (D-body, 06CC compressors, 17-37 cfm)

Carlyle is pleased to announce several product enhancements to the 06D and D-Body, 06CC compressors. Among the changes that will occur are;

- Enhanced Motor Protection System
- New Compressor Customer Model Numbers
- New Manufacturing Number format
- Standardize to the Large Folded Terminal Box

Carlyle is changing the motor protection system for these products to combine current sensing and motor temperature monitoring with a Compressor Protection Module. This system provides superior protection when compared to methods that measure motor temperature only, which is the standard motor protection design applied in the industry today.

Carlyle is planning for full implementation of this new motor protection scheme in the 4th quarter of 2015. The legacy bi-metal, motor overloads, currently being applied with the 06D and D-Body, 06CC compressor models, are being discontinued by Carlyle's supplier.

Carlyle will offer a new electronic compressor protection module that interprets the signal from a PTC triplet (embedded in the stator windings) and a current transformer. This module will shut down the compressor when it is operated at conditions that are not suitable. The new electronic system also requires some changes to the compressor wiring. Photographs of the old and new wiring are shown in Appendix A1 and A2. Wire schematics are shown in Appendix B.

This new 'Hybrid' approach results in lower warranty and service costs as many electrical and mechanical issues are detected before any compressor damage occurs. All required components are installed in the large, folded terminal box (currently supplied with new, 6-cylinder, 06D and all D-Body, 06CC compressors).

The large folded terminal box will be applied on all new 06D compressors which use this new motor protection scheme. Appendix C shows the small dimensional changes that result on our 2 and 4 cylinder, 06D compressors which currently ship with a slightly smaller terminal box.

The most significant difference between the legacy motor protection scheme and the new electronic motor protection scheme is that the new electronic module will require OEM customers to provide control voltage to the terminal box of the compressor for the compressor protection module.

Carlyle is also changing Customer Model Numbers and Manufacturing Numbers for the affected 06D and D-Body, 06CC compressor types. The changes will incorporate the control voltage of the compressor protection module into the Customer Model Number. There will be three different Compressor Protection Modules that may be applied to allow for control wiring in 4 control voltages. One of the modules is dual rated for 120 / 240 volts while the others are single-voltage rated at 24 VAC and 24 VDC.

Customer Model Number changes:

The 10th digit of the 06D customer model number will indicate the rated control voltage of the Compressor Protection Module that is applied. Three new Customer Models will replace each existing 06D model. Please see the following examples of the 06D Customer Model Number changes.

Example of 06D compressor model number change:

06DR337SD <u>A</u> 365A	—————>	06DR337SD <u>1</u> 365A	[120/240VAC Control Voltage]
06DR337SD <u>A</u> 365A	—————>	06DR337SD <u>2</u> 365A	[24VAC Control Voltage]
06DR337SD <u>A</u> 365A	—————>	06DR337SD <u>3</u> 365A	[24VDC Control Voltage]

The 5th digit of the 06CC Customer Model Number model will indicate the rated control voltage of the Compressor Protection Module that is applied. Three new Customer Models will replace each existing 06CC model. Please see the following examples of the 06CC Customer Model Number changes.

Example of 06CC compressor model number change:

06CC <u>1</u> 25D2S1	—————>	06CC <u>D</u> 25D2S1	[120/240VAC Control Voltage]
06CC <u>1</u> 25D2S1	—————>	06CC <u>E</u> 25D2S1	[24VAC Control Voltage]
06CC <u>1</u> 25D2S1	—————>	06CC <u>F</u> 25D2S1	[24VDC Control Voltage]

Notes:

1. There is no change to the compressor electrical data (LRA or MCC/RLA) with this change in motor protection.
2. Two digits will be added to the compressor manufacturing number to accommodate this change. Compressors with the two additional digits added to the manufacturing number (16 digits) will begin shipping on or around July 30th.
3. Appendix D includes a summary of the customer model number impact for all standard Price Pages models.

Carlyle Manufacturing Number format changes:

In support of the new motor overload protection scheme changes, Carlyle is adding two digits to the Manufacturing Number format of the 06D, and the D-Body 06CC, model types. The two added Manufacturing Number digits will be used to document the new motor overload protection types.

The current Manufacturing Number format allows for 14 digits. The first 12 digits of the Manufacturing Number document the features of the compressor while the 13th and 14th digits are used to document the Included Accessory Items and the Packaging / Crating. Only the first 12 digits are printed on the compressor data information plate. The full 14 digits print on the Box / Carton label and the 'In-Process' label.

The 14 digit format will change to 16 digits beginning with models produced in Week 31 of 2015 (7/27/2015). The two new digits will insert at positions 13 and 14, with the Included Accessory Items and the Packaging / Crating digits moved to positions 15 and 16 in the new Manufacturing Number formats.

See the following images (Data Information Plate and Labels) for examples of the old and new Manufacturing Number formats.

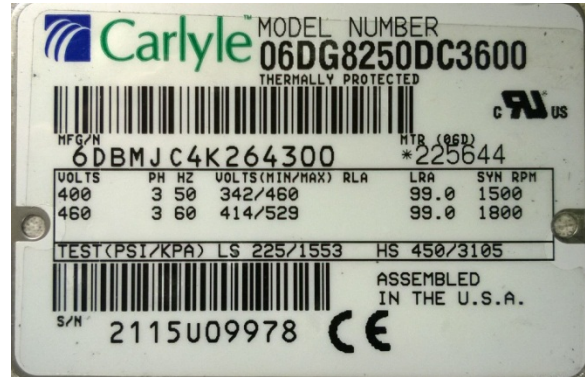
Current

Old Data Information Plate
(12 digits on Data Information Plate)



Future (Sample Only)

New Data Information Plate
(14 digits on Data Information Plate)



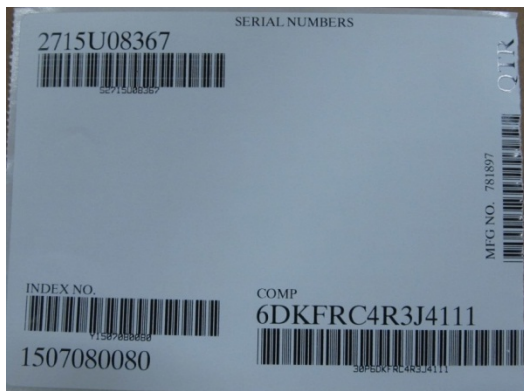
In-Process Label
(14 digits on 'In-Process' Label)



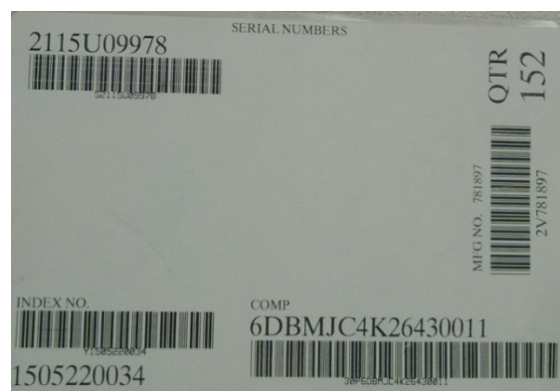
In-Process Label
(16 digits on the 'In-Process' Label)



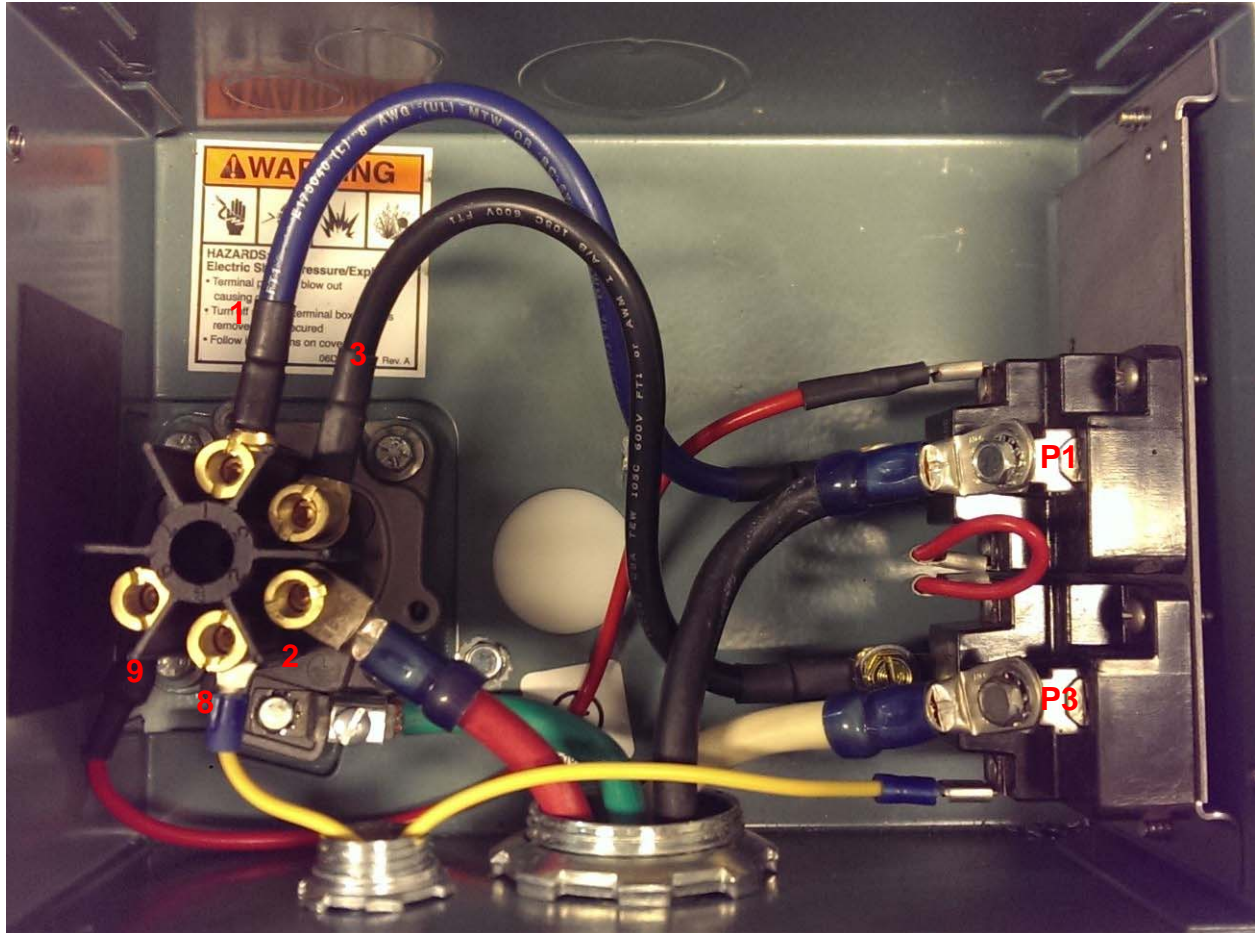
Packaging Label
(14 digits on the Packaging Label)



Packaging Label
(16 digits on the Packaging Label)



Appendix A1 Photograph of the legacy 06D Customer Wiring w/ 2 Bi-Metal Overloads and Old-Design Terminal Plate



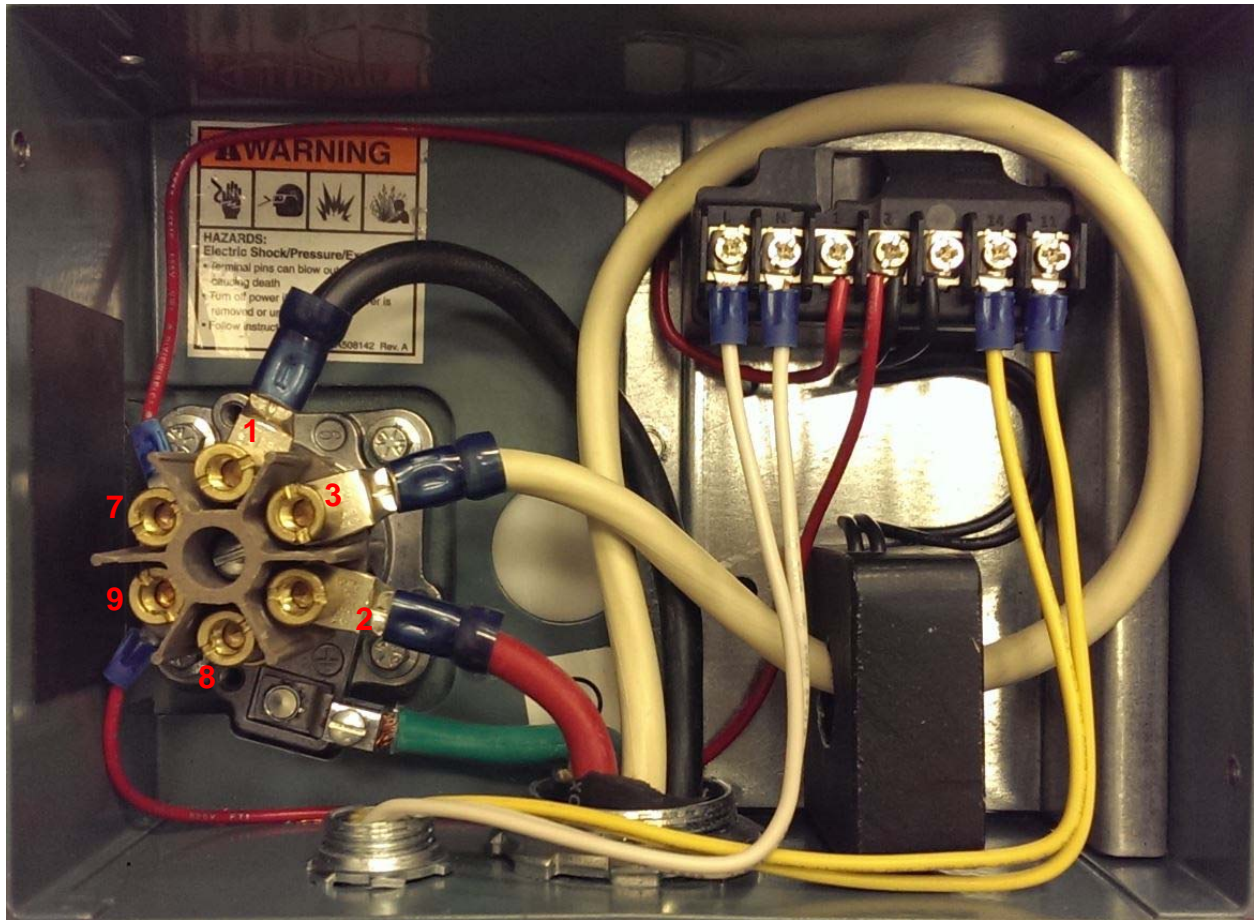
In the photograph above:

1. The large Blue and Black power wires on terminal pins 1 & 3 are connected by the Carlyle Factory, as are the small red wires.
2. The large Black, White and Red wires are incoming power for the compressor and they are connected by the customer. The Green (ground) wire is also connected by the customer.
3. The small Yellow wires are part of the contactor control circuit and connected by the customer.

For correct and safe operation:

- A. Three power leads connected to P1, P3, and 2.
- B. Interlock wires are connected to F and 9.
- C. A ground wire.

Appendix A2 Photograph of New 06D Customer Wiring (Mock Up)



In the photograph above:

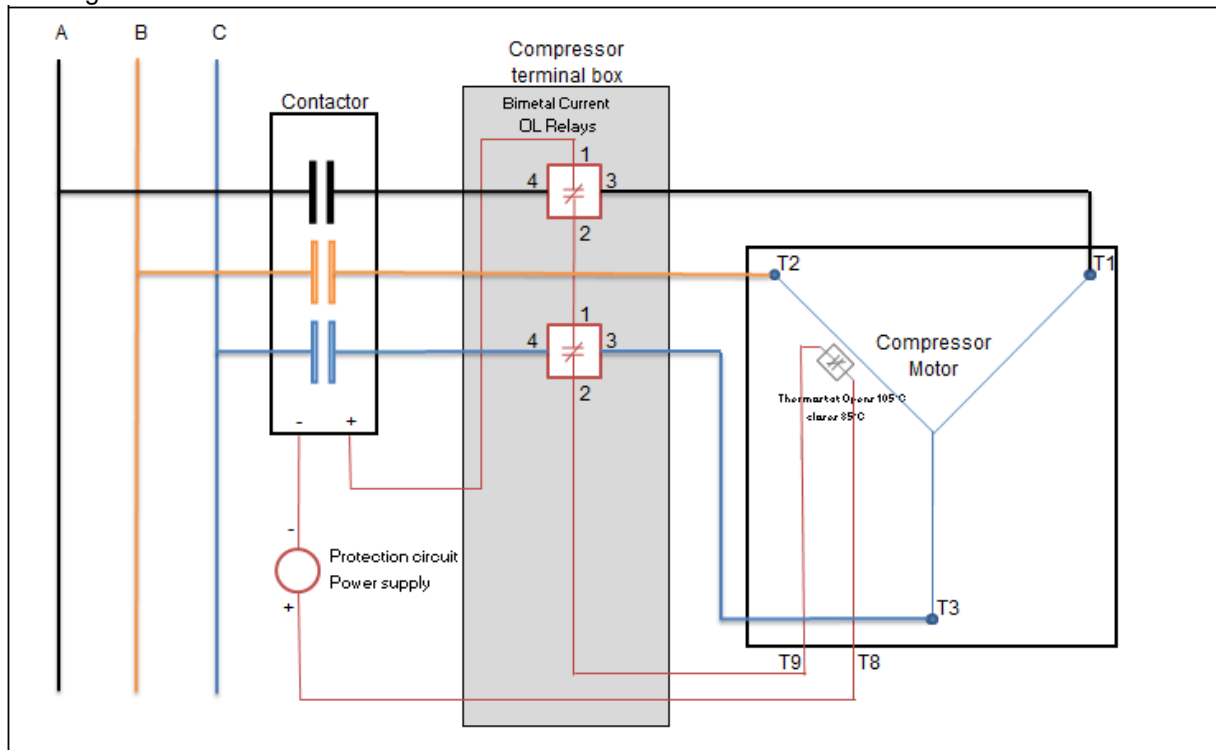
1. The small red and black wiring will be connected by Carlyle Compressor factory.
2. The remaining wires represent connections made by the customer. The two small yellow wires identify the interlock connections to the contactor and the two small white wires identify the supply voltage to the electronic module.
3. The large power wires (White, Red and Black) are also customer connections. All compressors must have a ground wire (shown in Green color).

Please note that this picture shows the wire through the CT connected to terminal pin # 3. For correct and safe operation:

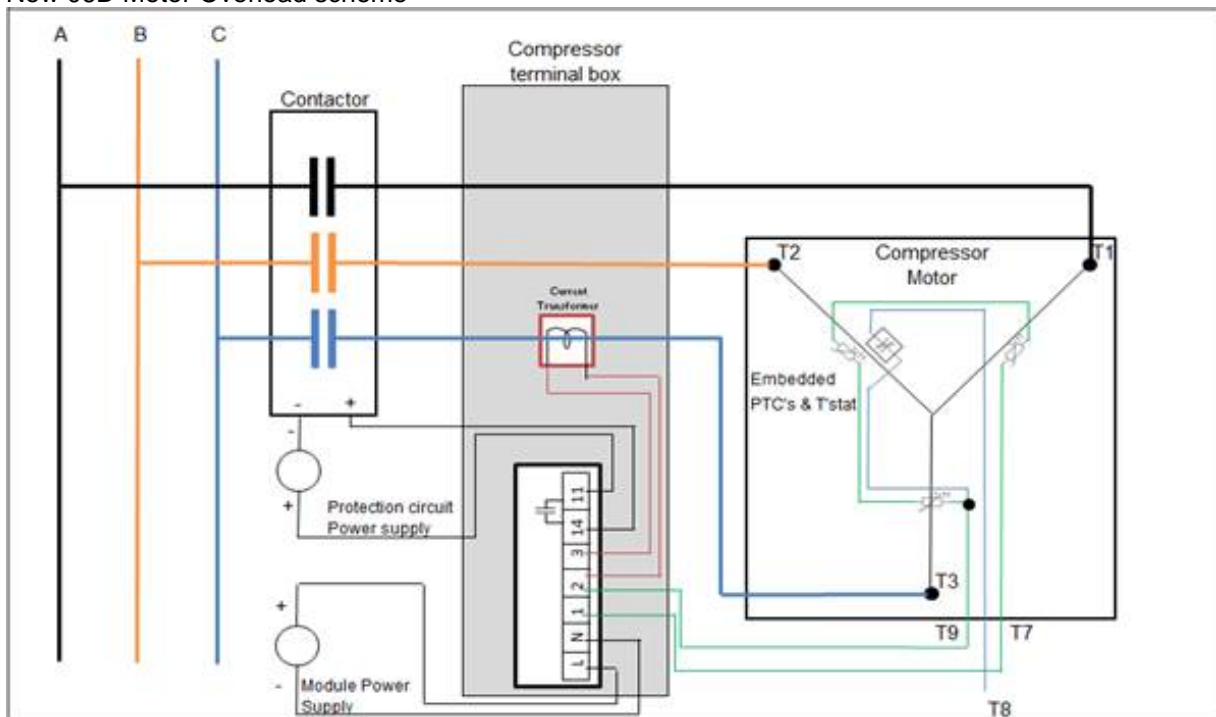
- A. Any one of the three power leads can be routed through the CT.
- B. One of the three power leads must be routed through the CT.
- C. A ground wire.
- D. Terminals 8 and 9 will continue to be connected to the internal thermostat, which is not used in the new Motor Overload Protection scheme. Terminals 7 and 9 are connected to the PTC's which are embedded in the stator windings.

Appendix B Wiring Diagrams:

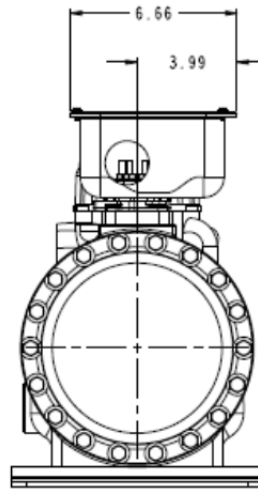
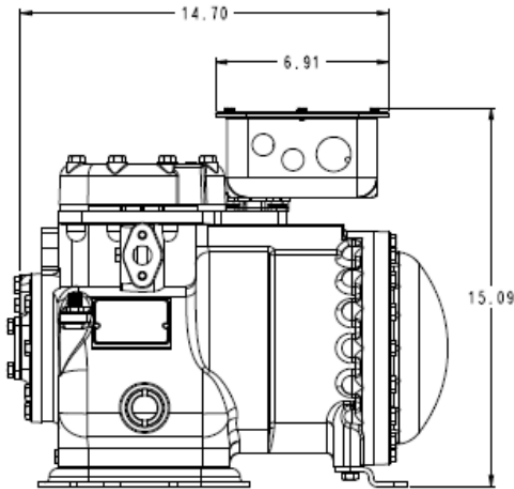
Existing 06D Motor Overload scheme



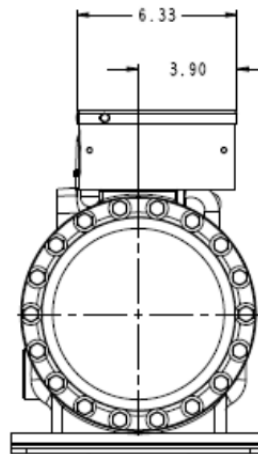
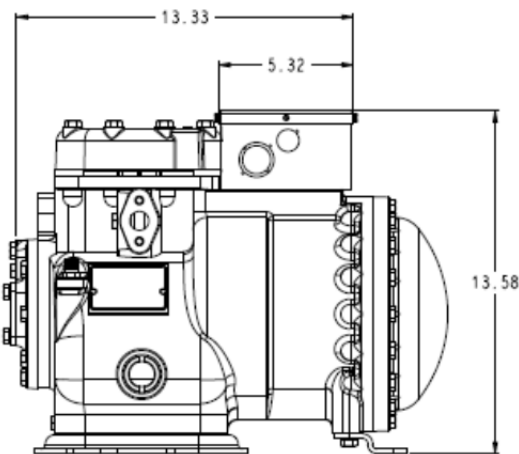
New 06D Motor Overload scheme



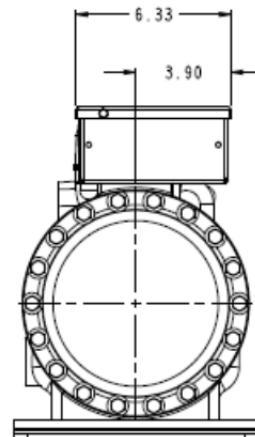
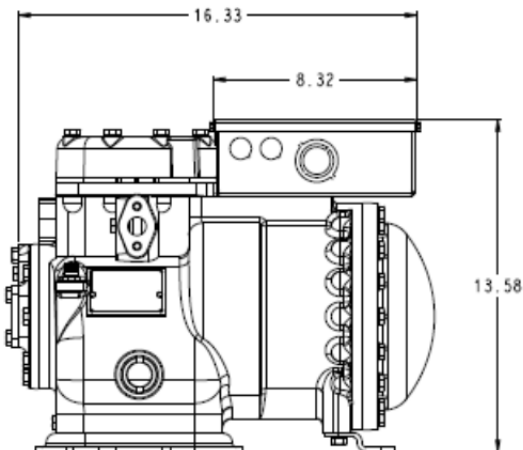
Appendix C Compressor Dimensional Changes:



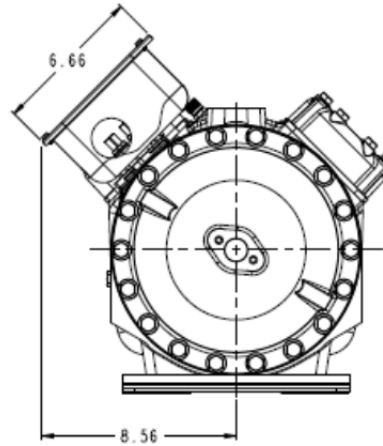
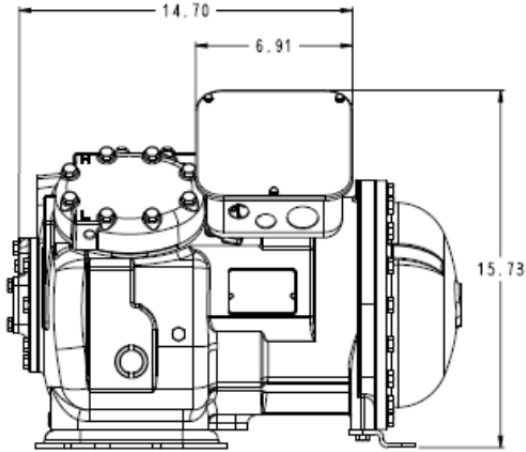
2-Cylinder, 06D (8, 9 CFM)
with Small, Drawn Terminal
Box, OLD



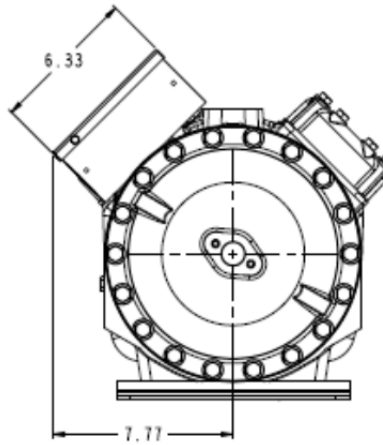
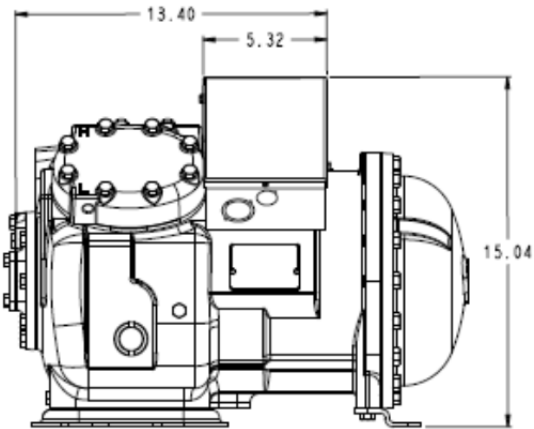
2-Cylinder, 06D (8, 9 CFM)
with Small, Folded Terminal
Box, OLD



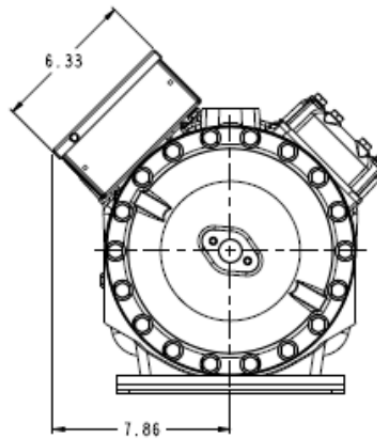
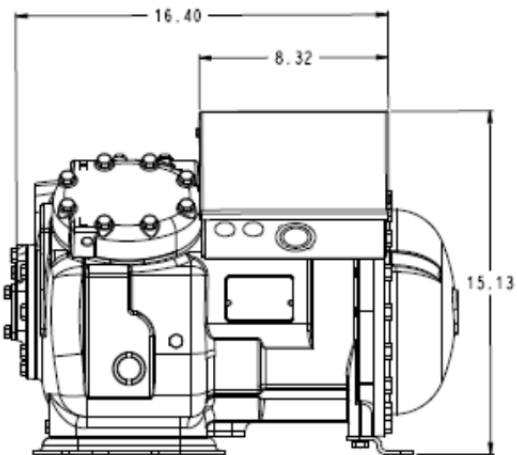
2-Cylinder, 06D (8, 9 CFM)
with Large folded Terminal
Box, NEW



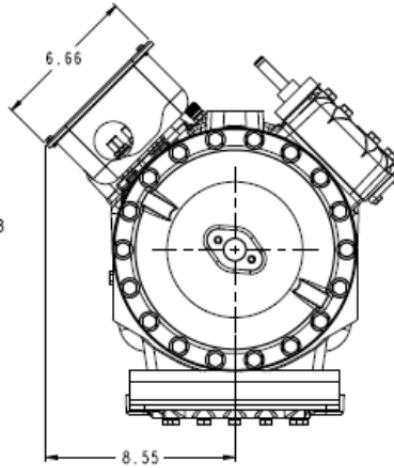
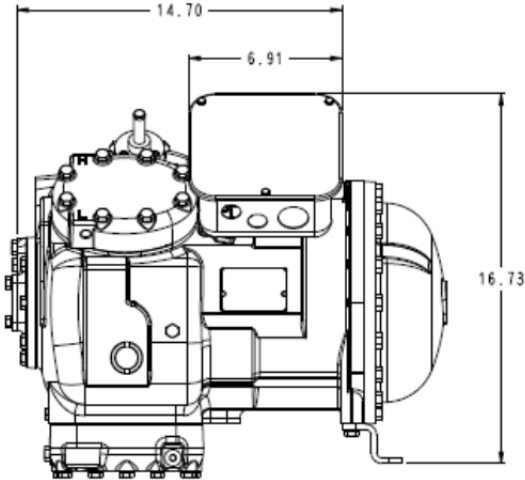
4-Cylinder, 06D (13, 16 CFM)
with Small, Drawn Terminal
Box, OLD



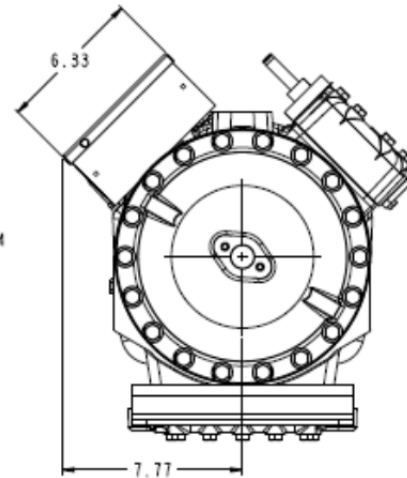
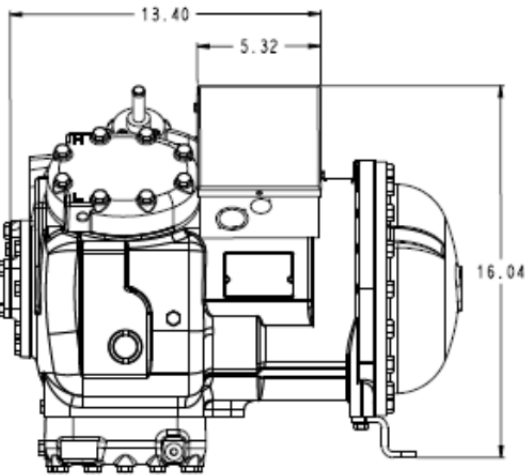
4-Cylinder, 06D (13, 16 CFM)
with Small, Folded Terminal
Box, OLD



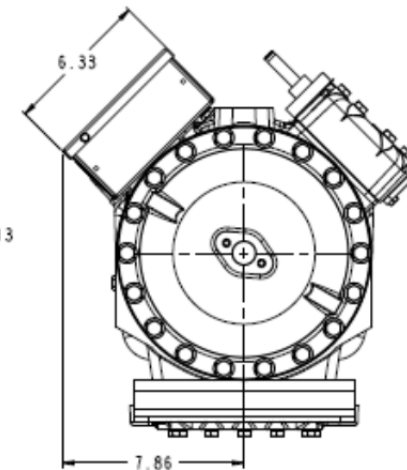
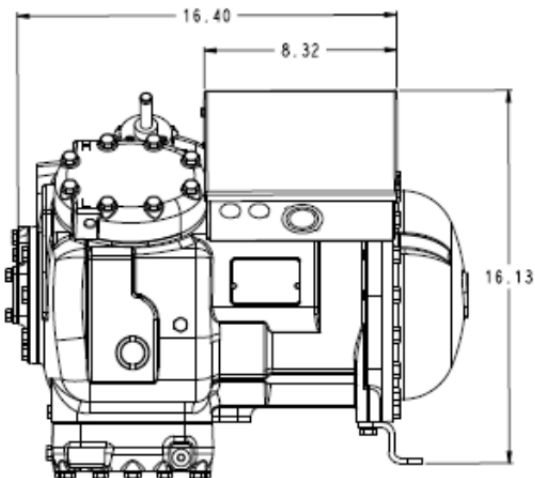
4-Cylinder, 06D (13, 16 CFM)
with Large, Folded Terminal
Box, NEW



4-Cylinder, 06D (18, 20 CFM)
with Small, Drawn Terminal
Box, OLD



4-Cylinder, 06D (18, 20 CFM)
with Small, Folded Terminal
Box, OLD



4-Cylinder, 06D (18, 20 CFM)
with Large, Folded Terminal
Box, NEW

Appendix D - New Customer Model Number Summary:

Oil-Less Compressor Models with Sensor Block

Low Temperature Duty

Existing Customer Model Number	New Model Number – 120/240 VAC Control	New Model Number - 24 VAC Control	New Model Number - 24 VDC Control
06DR109SGA325A	06DR109SG1325A	06DR109SG2325A	06DR109SG3325A
06DR109SGA365A	06DR109SG1365A	06DR109SG2365A	06DR109SG3365A
06DR013SCA325A	06DR013SC1325A	06DR013SC2325A	06DR013SC3325A
06DR013SCA365A	06DR013SC1365A	06DR013SC2365A	06DR013SC3365A
06DR013SCA315A	06DR013SC1315A	06DR013SC2315A	06DR013SC3315A
06DR316SCA325A	06DR316SC1325A	06DR316SC2325A	06DR316SC3325A
06DR316SCA365A	06DR316SC1365A	06DR316SC2365A	06DR316SC3365A
06DR316SCA315A	06DR316SC1315A	06DR316SC2315A	06DR316SC3315A
06DR718SDA325A	06DR718SD1325A	06DR718SD2325A	06DR718SD3325A
06DR718SDA365A	06DR718SD1365A	06DR718SD2365A	06DR718SD3365A
06DR718SDA315A	06DR718SD1315A	06DR718SD2315A	06DR718SD3315A
06DR820SDA325A	06DR820SD1325A	06DR820SD2325A	06DR820SD3325A
06DR820SDA365A	06DR820SD1365A	06DR820SD2365A	06DR820SD3365A
06DR820SDA315A	06DR820SD1315A	06DR820SD2315A	06DR820SD3315A
06DR725SDA325A	06DR725SD1325A	06DR725SD2325A	06DR725SD3325A
06DR725SDA365A	06DR725SD1365A	06DR725SD2365A	06DR725SD3365A
06DR725SDA315A	06DR725SD1315A	06DR725SD2315A	06DR725SD3315A
06DR228SDA325A	06DR228SD1325A	06DR228SD2325A	06DR228SD3325A
06DR228SDA365A	06DR228SD1365A	06DR228SD2365A	06DR228SD3365A
06DR228SDA315A	06DR228SD1315A	06DR228SD2315A	06DR228SD3315A
06DR337SDA325A	06DR337SD1325A	06DR337SD2325A	06DR337SD3325A
06DR337SDA365A	06DR337SD1365A	06DR337SD2365A	06DR337SD3365A
06DR337SDA315A	06DR337SD1315A	06DR337SD2315A	06DR337SD3315A
06DR541SDA125A	06DR541SD1125A	06DR541SD2125A	06DR541SD3125A
06DR541SDA065A	06DR541SD1065A	06DR541SD2065A	06DR541SD3065A
06DR541SDA015A	06DR541SD1015A	06DR541SD2015A	06DR541SD3015A

Medium Temperature Duty

Existing Customer Model Number	New Model Number – 120/240 VAC Control	New Model Number - 24 VAC Control	New Model Number - 24 VDC Control
06DM808SGA325A	06DM808SG1325A	06DM808SG2325A	06DM808SG3325A
06DM808SGA365A	06DM808SG1365A	06DM808SG2365A	06DM808SG3365A
06DM808SGA315A	06DM808SG1315A	06DM808SG2315A	06DM808SG3315A
06DM313SCA325A	06DM313SC1325A	06DM313SC2325A	06DM313SC3325A
06DM313SCA365A	06DM313SC1365A	06DM313SC2365A	06DM313SC3365A
06DM313SCA315A	06DM313SC1315A	06DM313SC2315A	06DM313SC3315A
06DM316SCA325A	06DM316SC1325A	06DM316SC2325A	06DM316SC3325A
06DM316SCA365A	06DM316SC1365A	06DM316SC2365A	06DM316SC3365A
06DM316SCA315A	06DM316SC1315A	06DM316SC2315A	06DM316SC3315A
06DM337SDA325A	06DM337SD1325A	06DM337SD2325A	06DM337SD3325A
06DM337SDA365A	06DM337SD1365A	06DM337SD2365A	06DM337SD3365A
06DM337SDA315A	06DM337SD1315A	06DM337SD2315A	06DM337SD3315A

Appendix D - New Customer Model Number Summary:

Oil-Less Compressor Models with Sensor Block (cont.)

High Temperature Duty

Existing Customer Model Number	New Model Number – 120/240 VAC Control	New Model Number - 24 VAC Control	New Model Number - 24 VDC Control
06DA818SAA325A	06DA818SA1325A	06DA818SA2325A	06DA818SA3325A
06DA818SAA365A	06DA818SA1365A	06DA818SA2365A	06DA818SA3365A
06DA818SAA315A	06DA818SA1315A	06DA818SA2315A	06DA818SA3315A
06DA825SBA325A	06DA825SB1325A	06DA825SB2325A	06DA825SB3325A
06DA825SBA365A	06DA825SB1365A	06DA825SB2365A	06DA825SB3365A
06DA825SBA315A	06DA825SB1315A	06DA825SB2315A	06DA825SB3315A
06DA328SBA325A	06DA328SB1325A	06DA328SB2325A	06DA328SB3325A
06DA328SBA365A	06DA328SB1365A	06DA328SB2365A	06DA328SB3365A
06DA328SBA315A	06DA328SB1315A	06DA328SB2315A	06DA328SB3315A
06DA537SBA125A	06DA537SB1125A	06DA537SB2125A	06DA537SB3125A
06DA537SBA065A	06DA537SB1065A	06DA537SB2065A	06DA537SB3065A
06DA537SBA015A	06DA537SB1015A	06DA537SB2015A	06DA537SB3015A

Oil-Less Suction Cutoff Unloading Models with Sensor Block

Low Temperature Duty

Existing Customer Model Number	New Model Number – 120/240 VAC Control	New Model Number - 24 VAC Control	New Model Number - 24 VDC Control
06DR013SCA327A	06DR013SC1327A	06DR013SC2327A	06DR013SC3327A
06DR013SCA367A	06DR013SC1367A	06DR013SC2367A	06DR013SC3367A
06DR013SCA317A	06DR013SC1317A	06DR013SC2317A	06DR013SC3317A
06DR316SCA327A	06DR316SC1327A	06DR316SC2327A	06DR316SC3327A
06DR316SCA367A	06DR316SC1367A	06DR316SC2367A	06DR316SC3367A
06DR316SCA317A	06DR316SC1317A	06DR316SC2317A	06DR316SC3317A
06DR718SDA327A	06DR718SD1327A	06DR718SD2327A	06DR718SD3327A
06DR718SDA367A	06DR718SD1367A	06DR718SD2367A	06DR718SD3367A
06DR718SDA317A	06DR718SD1317A	06DR718SD2317A	06DR718SD3317A
06DR820SDA327A	06DR820SD1327A	06DR820SD2327A	06DR820SD3327A
06DR820SDA367A	06DR820SD1367A	06DR820SD2367A	06DR820SD3367A
06DR820SDA317A	06DR820SD1317A	06DR820SD2317A	06DR820SD3317A
06DR725SDA327A	06DR725SD1327A	06DR725SD2327A	06DR725SD3327A
06DR725SDA367A	06DR725SD1367A	06DR725SD2367A	06DR725SD3367A
06DR725SDA317A	06DR725SD1317A	06DR725SD2317A	06DR725SD3317A
06DR725SDA328A	06DR725SD1328A	06DR725SD2328A	06DR725SD3328A
06DR725SDA368A	06DR725SD1368A	06DR725SD2368A	06DR725SD3368A
06DR725SDA318A	06DR725SD1318A	06DR725SD2318A	06DR725SD3318A
06DR228SDA327A	06DR228SD1327A	06DR228SD2327A	06DR228SD3327A
06DR228SDA367A	06DR228SD1367A	06DR228SD2367A	06DR228SD3367A
06DR228SDA317A	06DR228SD1317A	06DR228SD2317A	06DR228SD3317A
06DR228SDA328A	06DR228SD1328A	06DR228SD2328A	06DR228SD3328A
06DR228SDA368A	06DR228SD1368A	06DR228SD2368A	06DR228SD3368A
06DR228SDA318A	06DR228SD1318A	06DR228SD2318A	06DR228SD3318A
06DR337SDA327A	06DR337SD1327A	06DR337SD2327A	06DR337SD3327A
06DR337SDA367A	06DR337SD1367A	06DR337SD2367A	06DR337SD3367A
06DR337SDA317A	06DR337SD1317A	06DR337SD2317A	06DR337SD3317A
06DR337SDA328A	06DR337SD1328A	06DR337SD2328A	06DR337SD3328A
06DR337SDA368A	06DR337SD1368A	06DR337SD2368A	06DR337SD3368A
06DR337SDA318A	06DR337SD1318A	06DR337SD2318A	06DR337SD3318A
06DR541SDA127A	06DR541SD1127A	06DR541SD2127A	06DR541SD3127A
06DR541SDA067A	06DR541SD1067A	06DR541SD2067A	06DR541SD3067A
06DR541SDA017A	06DR541SD1017A	06DR541SD2017A	06DR541SD3017A
06DR541SDA128A	06DR541SD1128A	06DR541SD2128A	06DR541SD3128A
06DR541SDA068A	06DR541SD1068A	06DR541SD2068A	06DR541SD3068A
06DR541SDA018A	06DR541SD1018A	06DR541SD2018A	06DR541SD3018A

Appendix D - New Customer Model Number Summary:

Oil-Less Suction Cutoff Unloading Models with Sensor Block (cont.)

Medium Temperature Duty

Existing Customer Model Number	New Model Number - 120 VAC Control	New Model Number - 24 VAC Control	New Model Number - 24 VDC Control
06DM313SCA327A	06DM313SC1327A	06DM313SC2327A	06DM313SC3327A
06DM313SCA367A	06DM313SC1367A	06DM313SC2367A	06DM313SC3367A
06DM313SCA317A	06DM313SC1317A	06DM313SC2317A	06DM313SC3317A
06DM316SCA327A	06DM316SC1327A	06DM316SC2327A	06DM316SC3327A
06DM316SCA367A	06DM316SC1367A	06DM316SC2367A	06DM316SC3367A
06DM316SCA317A	06DM316SC1317A	06DM316SC2317A	06DM316SC3317A
06DM337SDA327A	06DM337SD1327A	06DM337SD2327A	06DM337SD3327A
06DM337SDA367A	06DM337SD1367A	06DM337SD2367A	06DM337SD3367A
06DM337SDA317A	06DM337SD1317A	06DM337SD2317A	06DM337SD3317A
06DM337SDA328A	06DM337SD1328A	06DM337SD2328A	06DM337SD3328A
06DM337SDA368A	06DM337SD1368A	06DM337SD2368A	06DM337SD3368A
06DM337SDA318A	06DM337SD1318A	06DM337SD2318A	06DM337SD3318A

High-Temperature Duty

Existing Customer Model Number	New Model Number - 120 VAC Control	New Model Number - 24 VAC Control	New Model Number - 24 VDC Control
06DF818SAA325A	06DF818SA1325A	06DF818SA2325A	06DF818SA3325A
06DF818SAA365A	06DF818SA1365A	06DF818SA2365A	06DF818SA3365A
06DF818SAA315A	06DF818SA1315A	06DF818SA2315A	06DF818SA3315A
06DF825SBA325A	06DF825SB1325A	06DF825SB2325A	06DF825SB3325A
06DF825SBA365A	06DF825SB1365A	06DF825SB2365A	06DF825SB3365A
06DF825SBA315A	06DF825SB1315A	06DF825SB2315A	06DF825SB3315A
06DF328SBA325A	06DF328SB1325A	06DF328SB2325A	06DF328SB3325A
06DF328SBA365A	06DF328SB1365A	06DF328SB2365A	06DF328SB3365A
06DF328SBA315A	06DF328SB1315A	06DF328SB2315A	06DF328SB3315A
06DF537SBA125A	06DF537SB1125A	06DF537SB2125A	06DF537SB3125A
06DF537SBA065A	06DF537SB1065A	06DF537SB2065A	06DF537SB3065A
06DF537SBA015A	06DF537SB1015A	06DF537SB2015A	06DF537SB3015A
06DG825SBA325A	06DG825SB1325A	06DG825SB2325A	06DG825SB3325A
06DG825SBA365A	06DG825SB1365A	06DG825SB2365A	06DG825SB3365A
06DG825SBA315A	06DG825SB1315A	06DG825SB2315A	06DG825SB3315A
06DG328SBA325A	06DG328SB1325A	06DG328SB2325A	06DG328SB3325A
06DG328SBA365A	06DG328SB1365A	06DG328SB2365A	06DG328SB3365A
06DG328SBA315A	06DG328SB1315A	06DG328SB2315A	06DG328SB3315A
06DG537SBA125A	06DG537SB1125A	06DG537SB2125A	06DG537SB3125A
06DG537SBA065A	06DG537SB1065A	06DG537SB2065A	06DG537SB3065A
06DG537SBA015A	06DG537SB1015A	06DG537SB2015A	06DG537SB3015A

Appendix D - New Customer Model Number Summary:

Oil-Less Smart Unloading Models with Sensor Block

Low Temperature Duty

Existing Customer Model Number	New Model Number – 120/240 VAC Control	New Model Number - 24 VAC Control	New Model Number - 24 VDC Control
06DR013SCA32YA	06DR013SC132YA	06DR013SC232YA	06DR013SC332YA
06DR013SCA36YA	06DR013SC136YA	06DR013SC236YA	06DR013SC336YA
06DR013SCA31YA	06DR013SC131YA	06DR013SC231YA	06DR013SC331YA
06DR316SCA32YA	06DR316SC132YA	06DR316SC232YA	06DR316SC332YA
06DR316SCA36YA	06DR316SC136YA	06DR316SC236YA	06DR316SC336YA
06DR316SCA31YA	06DR316SC131YA	06DR316SC231YA	06DR316SC331YA
06DR718SDA32YA	06DR718SD132YA	06DR718SD232YA	06DR718SD332YA
06DR718SDA36YA	06DR718SD136YA	06DR718SD236YA	06DR718SD336YA
06DR718SDA31YA	06DR718SD131YA	06DR718SD231YA	06DR718SD331YA
06DR820SDA32YA	06DR820SD132YA	06DR820SD232YA	06DR820SD332YA
06DR820SDA36YA	06DR820SD136YA	06DR820SD236YA	06DR820SD336YA
06DR820SDA31YA	06DR820SD131YA	06DR820SD231YA	06DR820SD331YA
06DR725SDA32YA	06DR725SD132YA	06DR725SD232YA	06DR725SD332YA
06DR725SDA36YA	06DR725SD136YA	06DR725SD236YA	06DR725SD336YA
06DR725SDA31YA	06DR725SD131YA	06DR725SD231YA	06DR725SD331YA
06DR228SDA32YA	06DR228SD132YA	06DR228SD232YA	06DR228SD332YA
06DR228SDA36YA	06DR228SD136YA	06DR228SD236YA	06DR228SD336YA
06DR228SDA31YA	06DR228SD131YA	06DR228SD231YA	06DR228SD331YA
06DR337SDA32YA	06DR337SD132YA	06DR337SD232YA	06DR337SD332YA
06DR337SDA36YA	06DR337SD136YA	06DR337SD236YA	06DR337SD336YA
06DR337SDA31YA	06DR337SD131YA	06DR337SD231YA	06DR337SD331YA
06DR541SDA12YA	06DR541SD112YA	06DR541SD212YA	06DR541SD312YA
06DR541SDA06YA	06DR541SD106YA	06DR541SD206YA	06DR541SD306YA
06DR541SDA01YA	06DR541SD101YA	06DR541SD201YA	06DR541SD301YA

Medium Temperature Duty

Existing Customer Model Number	New Model Number – 120/240 VAC Control	New Model Number - 24 VAC Control	New Model Number - 24 VDC Control
06DM313SCA32YA	06DM313SC132YA	06DM313SC232YA	06DM313SC332YA
06DM313SCA36YA	06DM313SC136YA	06DM313SC236YA	06DM313SC336YA
06DM313SCA31YA	06DM313SC131YA	06DM313SC231YA	06DM313SC331YA
06DM316SCA32YA	06DM316SC132YA	06DM316SC232YA	06DM316SC332YA
06DM316SCA36YA	06DM316SC136YA	06DM316SC236YA	06DM316SC336YA
06DM316SCA31YA	06DM316SC131YA	06DM316SC231YA	06DM316SC331YA
06DM337SDA32YA	06DM337SD132YA	06DM337SD232YA	06DM337SD332YA
06DM337SDA36YA	06DM337SD136YA	06DM337SD236YA	06DM337SD336YA
06DM337SDA31YA	06DM337SD131YA	06DM337SD231YA	06DM337SD331YA

Appendix D - New Customer Model Number Summary:

Oil-Less Smart Unloading Models with Sensor Block (cont.)

High-Temperature Duty

Existing Customer Model Number	New Model Number – 120/240 VAC Control	New Model Number - 24 VAC Control	New Model Number - 24 VDC Control
06DF818SAA32YA	06DF818SA132YA	06DF818SA232YA	06DF818SA332YA
06DF818SAA36YA	06DF818SA136YA	06DF818SA236YA	06DF818SA336YA
06DF818SAA31YA	06DF818SA131YA	06DF818SA231YA	06DF818SA331YA
06DG825SBA32YA	06DG825SB132YA	06DG825SB232YA	06DG825SB332YA
06DG825SBA36YA	06DG825SB136YA	06DG825SB236YA	06DG825SB336YA
06DG825SBA31YA	06DG825SB131YA	06DG825SB231YA	06DG825SB331YA
06DG328SBA32YA	06DG328SB132YA	06DG328SB232YA	06DG328SB332YA
06DG328SBA36YA	06DG328SB136YA	06DG328SB236YA	06DG328SB336YA
06DG328SBA31YA	06DG328SB131YA	06DG328SB231YA	06DG328SB331YA
06DG537SBA12YA	06DG537SB112YA	06DG537SB212YA	06DG537SB312YA
06DG537SBA06YA	06DG537SB106YA	06DG537SB206YA	06DG537SB306YA
06DG537SBA01YA	06DG537SB101YA	06DG537SB201YA	06DG537SB301YA

Oil-Less Pressure Unloading Models with Sensor Block

High-Temperature Duty

Existing Customer Model Number	New Model Number – 120/240 VAC Control	New Model Number - 24 VAC Control	New Model Number - 24 VDC Control
06DH818SAA325A	06DH818SA1325A	06DH818SA2325A	06DH818SA3325A
06DH818SAA365A	06DH818SA1365A	06DH818SA2365A	06DH818SA3365A
06DH818SAA315A	06DH818SA1315A	06DH818SA2315A	06DH818SA3315A
06DH825SBA325A	06DH825SB1325A	06DH825SB2325A	06DH825SB3325A
06DH825SBA365A	06DH825SB1365A	06DH825SB2365A	06DH825SB3365A
06DH825SBA315A	06DH825SB1315A	06DH825SB2315A	06DH825SB3315A
06DH328SBA325A	06DH328SB1325A	06DH328SB2325A	06DH328SB3325A
06DH328SBA365A	06DH328SB1365A	06DH328SB2365A	06DH328SB3365A
06DH328SBA315A	06DH328SB1315A	06DH328SB2315A	06DH328SB3315A
06DJ825SBA325A	06DJ825SB1325A	06DJ825SB2325A	06DJ825SB3325A
06DJ825SBA365A	06DJ825SB1365A	06DJ825SB2365A	06DJ825SB3365A
06DJ825SBA315A	06DJ825SB1315A	06DJ825SB2315A	06DJ825SB3315A
06DJ328SBA325A	06DJ328SB1325A	06DJ328SB2325A	06DJ328SB3325A
06DJ328SBA365A	06DJ328SB1365A	06DJ328SB2365A	06DJ328SB3365A
06DJ328SBA315A	06DJ328SB1315A	06DJ328SB2315A	06DJ328SB3315A
06DJ537SBA125A	06DJ537SB1125A	06DJ537SB2125A	06DJ537SB3125A
06DJ537SBA065A	06DJ537SB1065A	06DJ537SB2065A	06DJ537SB3065A
06DJ537SBA015A	06DJ537SB1015A	06DJ537SB2015A	06DJ537SB3015A

Oil-Less Two-Stage Models with Sensor Block

Low-Temperature Duty

Existing Customer Model Number	New Model Number - 120/240 VAC Control	New Model Number - 24 VAC Control	New Model Number - 24 VDC Control
06CC017D2S1	06CCA17D2S1	06CCB17D2S1	06CCC17D2S1
06CC017G2S1	06CCA17G2S1	06CCB17G2S1	06CCC17G2S1
06CC017J2S1	06CCA17J2S1	06CCB17J2S1	06CCC17J2S1
06CC125D2S1	06CCD25D2S1	06CCE25D2S1	06CCF25D2S1
06CC125G2S1	06CCD25G2S1	06CCE25G2S1	06CCF25G2S1
06CC125J2S1	06CCD25J2S1	06CCE25J2S1	06CCF25J2S1
06CC228D2S1	06CCG28D2S1	06CCH28D2S1	06CCJ28D2S1
06CC228G2S1	06CCG28G2S1	06CCH28G2S1	06CCJ28G2S1
06CC228J2S1	06CCG28J2S1	06CCH28J2S1	06CCJ28J2S1
06CC337D2S1	06CCK37D2S1	06CCL37D2S1	06CCM37D2S1
06CC337G2S1	06CCK37G2S1	06CCL37G2S1	06CCM37G2S1
06CC337J2S1	06CCK37J2S1	06CCL37J2S1	06CCM37J2S1