



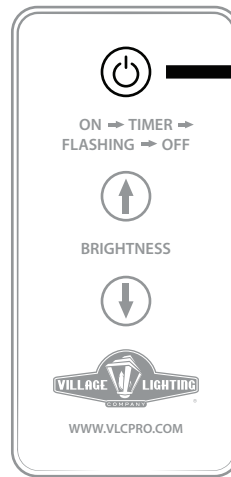
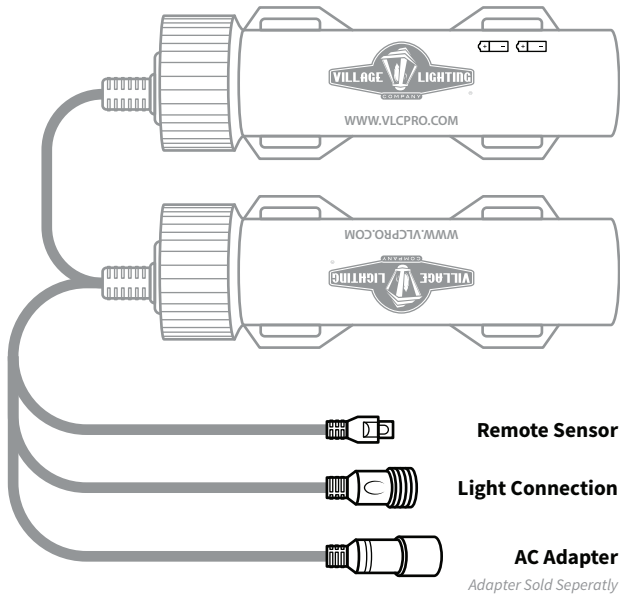
REMOTE NUN-CHUCK™ BATTERY PACK

MODEL #: V-20687

IMPORTANT, RETAIN FOR FUTURE REFERENCE: READ CAREFULLY

For assistance with assembly, replacement parts or to activate your warranty:
www.VillageLighting.com | Support@VillageLighting.com

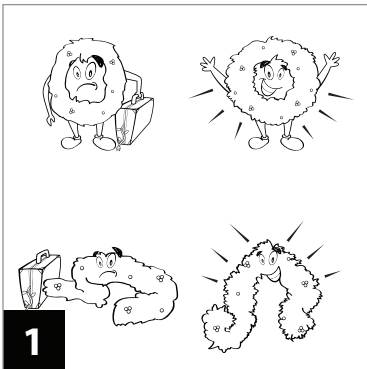
2018 All Rights Reserved * Property of Village Lighting Co. | Intended for indoor use



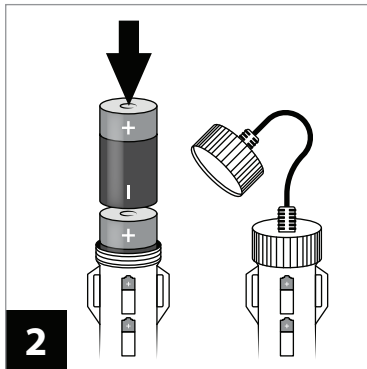
Press the power button to cycle through the modes.

- x1 Lights On**
 Lights will stay on indefinitely until you turn them off.
- x2 Timer Mode**
 Lights on for 6 hours, off for 18.
 (Lights will flash three times when activated)
- x3 Flashing**
 Turn lights from solid to flashing.
- x4 Lights Off**
 Lights will be turned off.

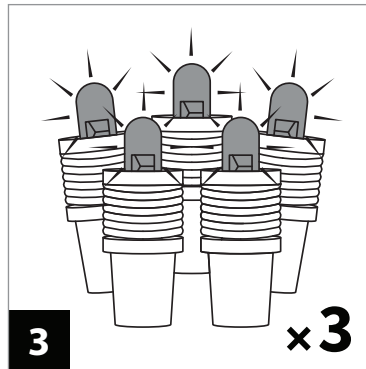
GETTING STARTED WITH YOUR NEW GREENERY



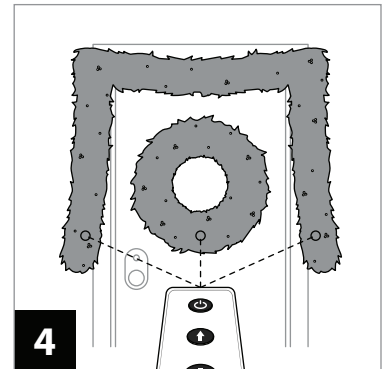
Its been a long journey, take a minute to fluff my branches.



Add four new D size batteries to the battery pack.



The lights will flash three times when the batteries are in.



Point the remote directly at the sensor when changing the lights.



REMOTE NUN-CHUCK™ BATTERY PACK

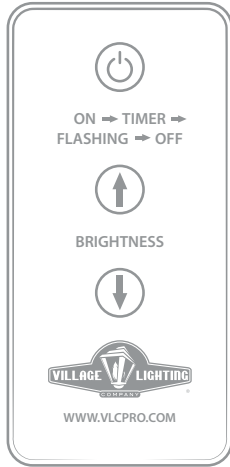
MODEL #: V-20687

For assistance with assembly, replacement parts or to activate your warranty:
www.VillageLighting.com | Support@VillageLighting.com

2018 All Rights Reserved © Property of Village Lighting Co. | Intended for indoor use

IMPORTANT! - BEFORE USING

Remote



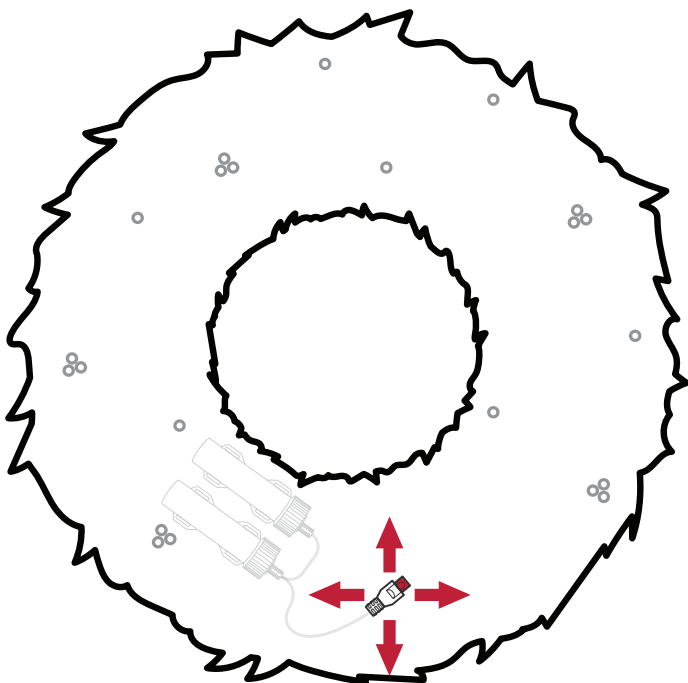
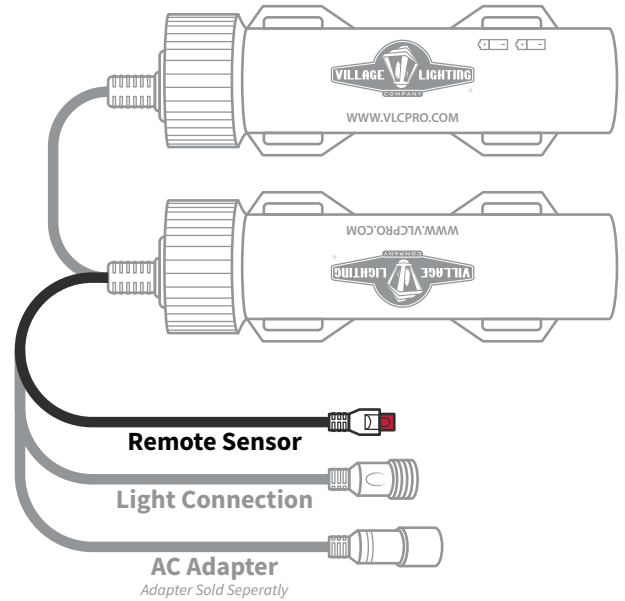
Battery Tray



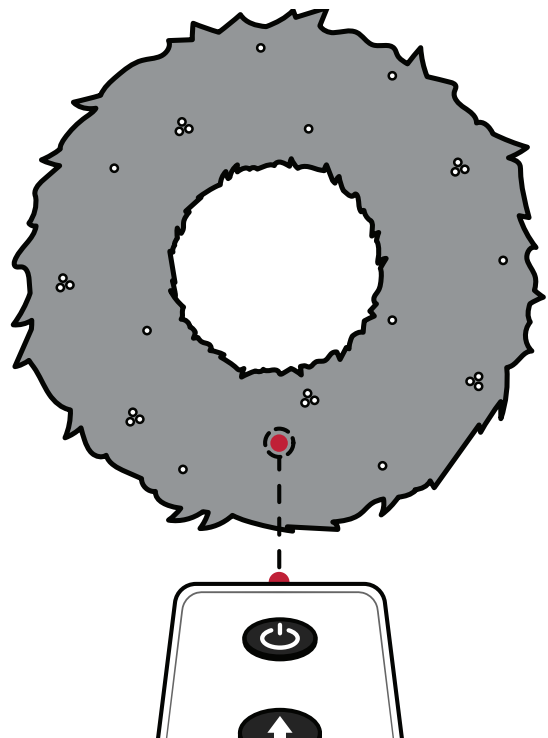
Plastic Tab

REMOVE BEFORE USE

Battery Pack



Adjust the sensor to be visible and forward-facing.



Point the remote directly at the sensor.