



SLIM ADJUSTABLE GARLAND HANGER

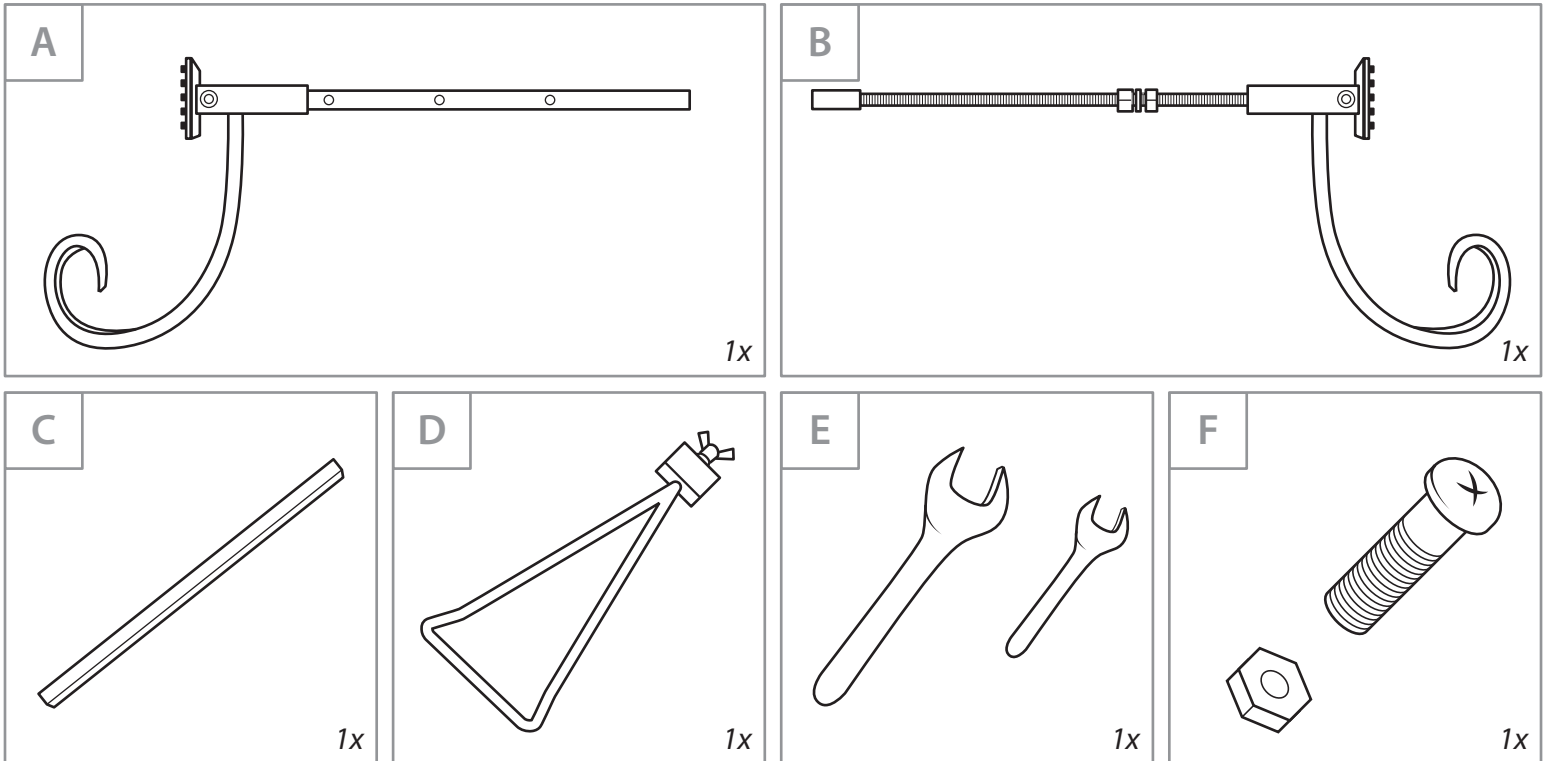
MODEL #: V-20529 | PATENT PENDING

IMPORTANT, RETAIN FOR FUTURE REFERENCE: READ CAREFULLY
For assistance with assembly or installation, parts and customer service:
www.VillageLighting.com | Support@VillageLighting.com
Intended for indoor / outdoor use

Important Information

1. This item hangs from above your door. If over-weighted or incorrectly installed, it may fall causing damage to the hanger and your decor.
2. Falling could also result in serious injury to people or items.
3. Do not hang anything other than garland from the garland hanger.
4. The garland hanger uses high pressure to secure it. Be careful when installing the hanger, especially at pinch points.
5. If a ladder is used, follow the safety instruction on your ladder and position it in a safe place.
Always have someone assist you on the ladder for safety.
6. **DO NOT EXCEED 20 lb OF WEIGHT** on the garland hanger.
7. Save these instructions.

Please lay out all parts prior to assembly or installation. Read instructions prior to assembly or installation.



ASSEMBLY INSTRUCTIONS

