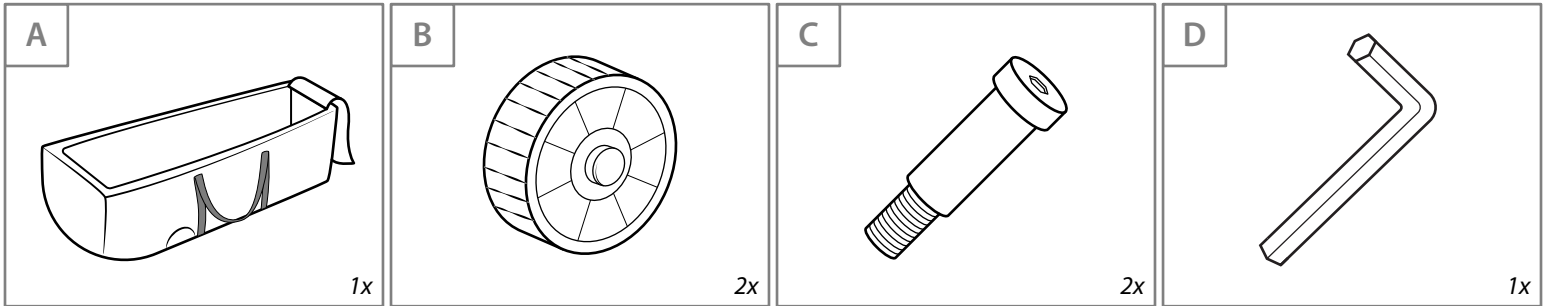


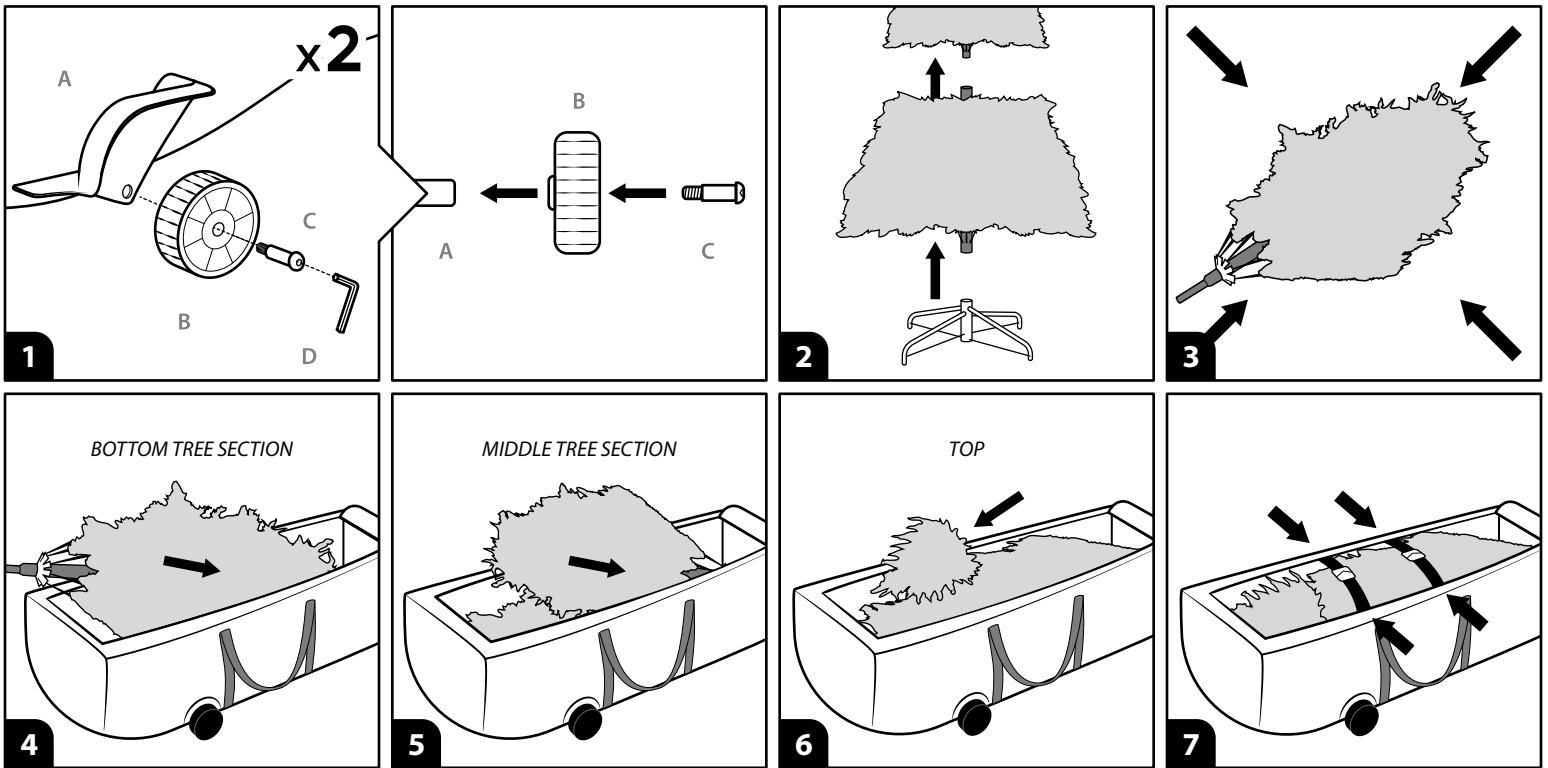
IMPORTANT, RETAIN FOR FUTURE REFERENCE: READ CAREFULLY

For assistance with assembly, replacement parts or to activate your warranty:
www.vlcreplacementparts.com | www.TreeKeeperBags.com | Support@VillageLighting.com
 Intended for indoor use

Please lay out all parts prior to assembly or installation. Read instructions prior to assembly or installation.



ASSEMBLY INSTRUCTIONS



6 - 9 FT ARTIFICIAL HINGED TREES

