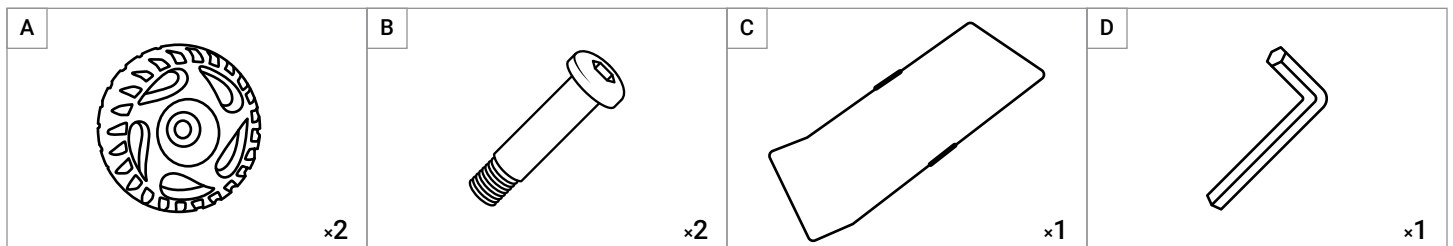


MULTI-USE STORAGE BAG

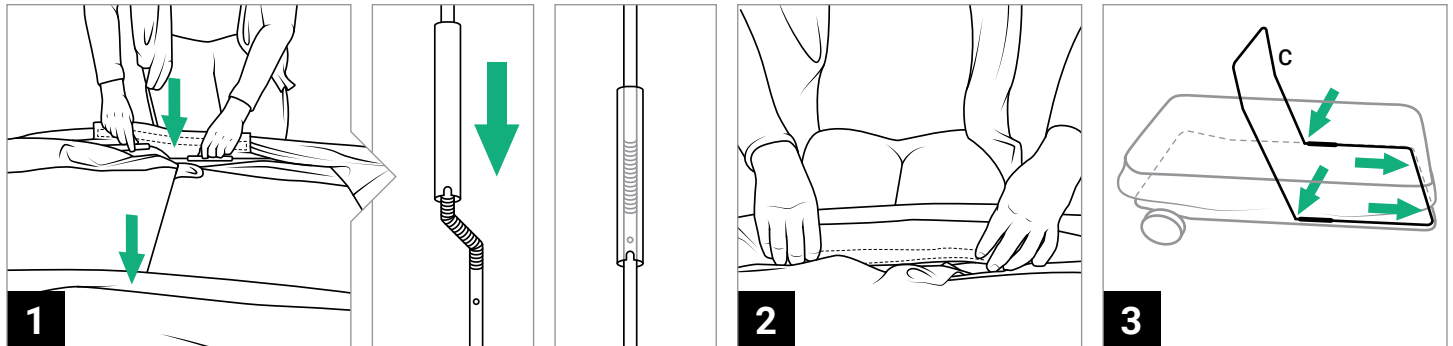
Model No. TK-10776 | Assembly Instructions



Please lay out all parts and read instructions prior to assembly.



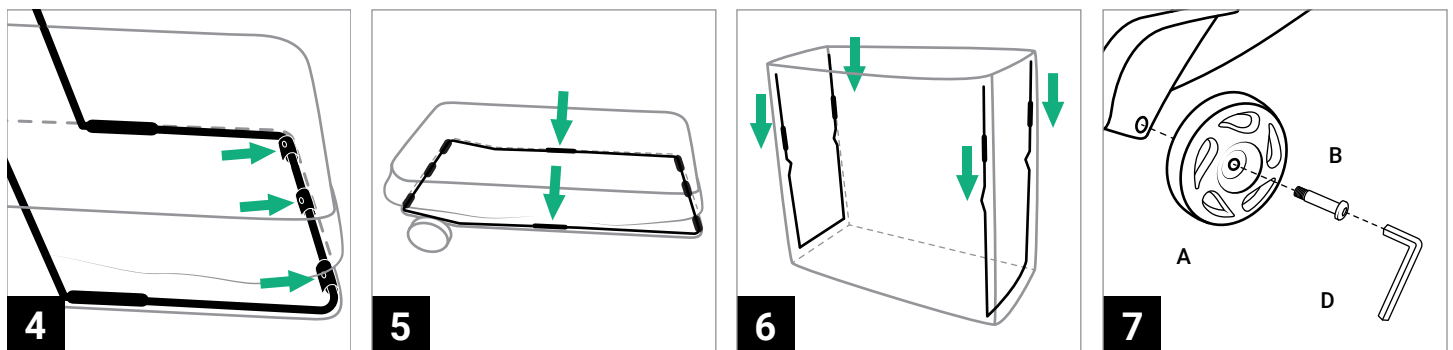
How to assemble your storage bag



1 Lock the stabilizing slide bars on the horizontal frame in place.

2 Use the Velcro flaps to hide the stabilizing slide bars.

3 UnHINGE the support bar and slide to bottom of the bag.



4 Secure the support bar by snapping in with 3 button straps.

5 Repeat Step 4 to the other side of the bag then secure bar with sliding covers.

6 Lock the stabilizing slide bars on the vertical frames in place.

7 Attach both wheels to the bag using the bolt and Allen wrench. Make sure the wheels are facing the correct direction.