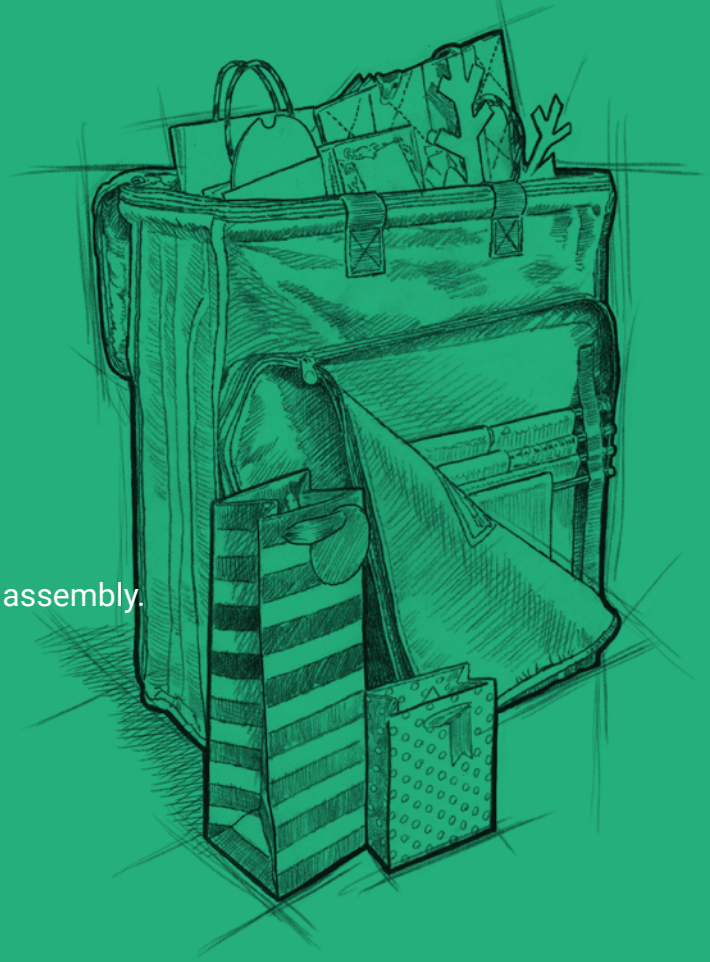
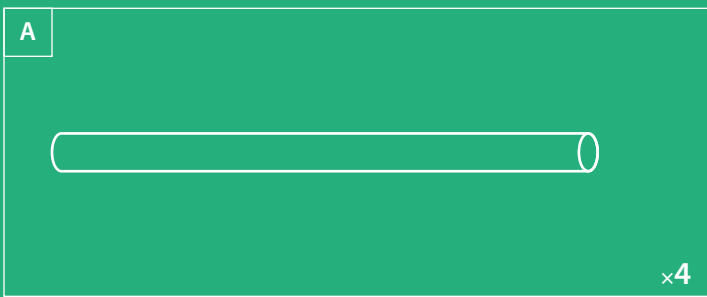


# GIFT & TISSUE STORAGE BAG

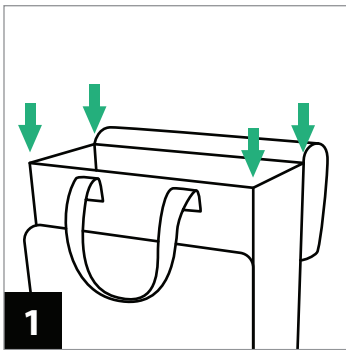
Model No. TK-10683 | Assembly Instructions



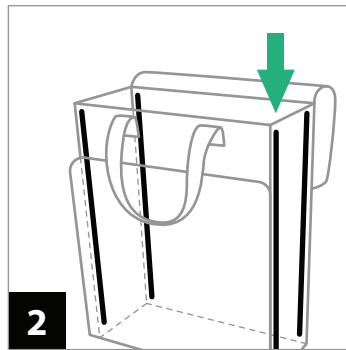
Please lay out all parts and read instructions prior to assembly.



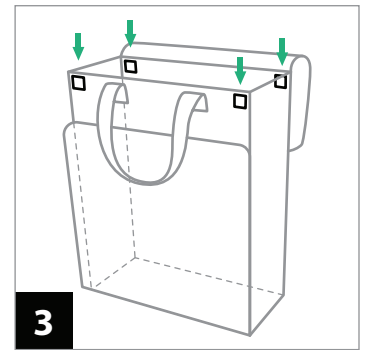
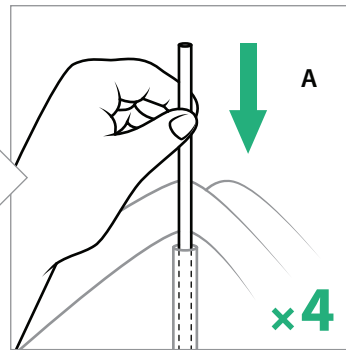
## How to assemble your storage bag



1 Locate the four Velcro straps in the corners of the storage bag.



2 Lift the Velcro straps in each of the four corners and insert the support rods into the channels.



3 Close the tops of the Velcro straps to secure them in place.



**TREEKEEPER™**  
WWW.TREEKEEPERBAGS.COM