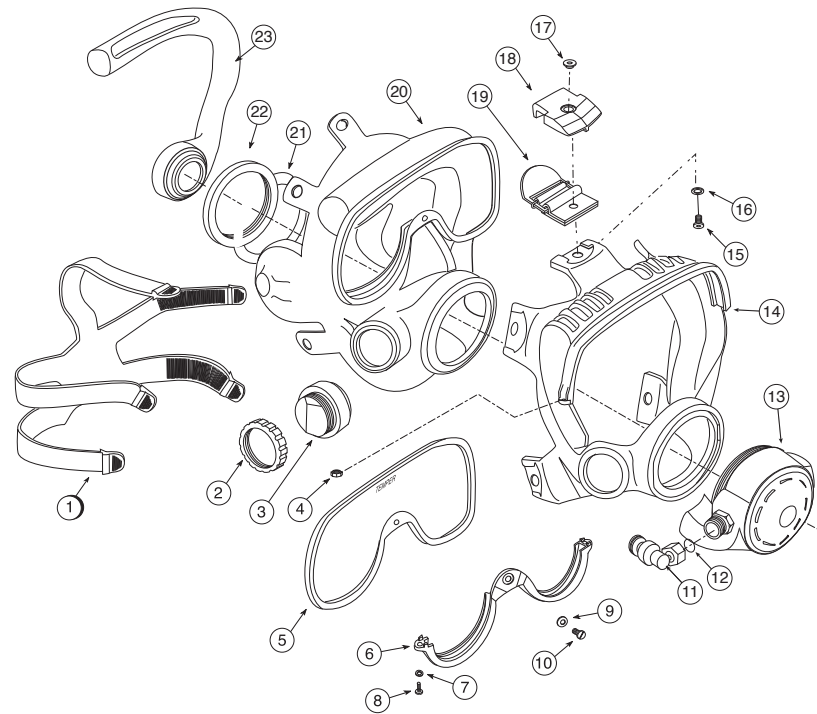
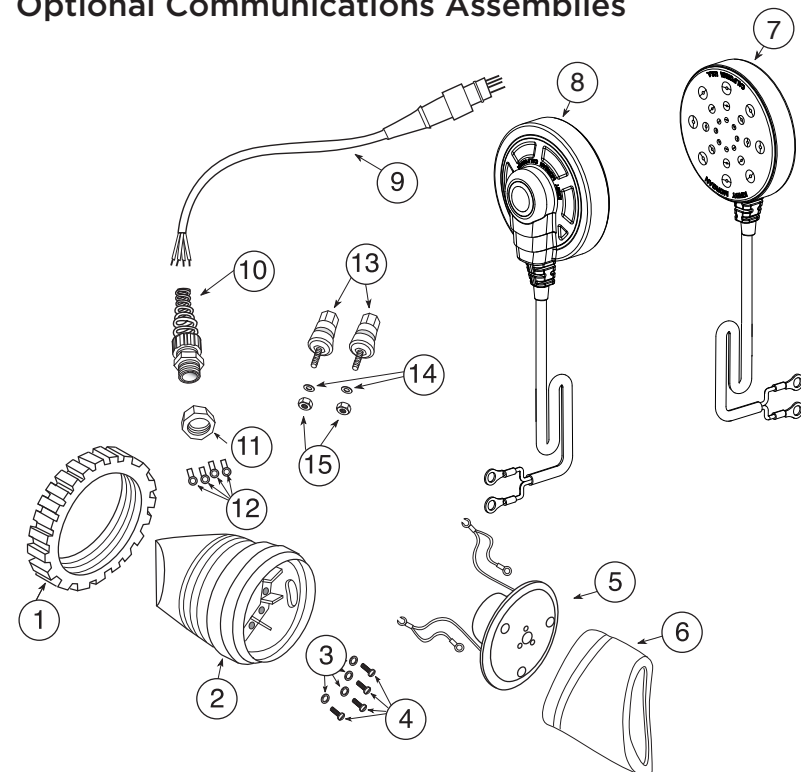


Kirby Morgan EXO Original Full Face Mask

Location #	Part #	Description
1	310-025	Spider
2	320-026	Comm Mount Nut
3	305-020	Module w/screws
4	330-105	Nut
5	365-002	Face Lens Assembly, Molded
6	320-017	Lens Clamp, Black
7	330-205	Washer
8	330-005	Screw
9	330-506	Washer
10	330-010	Screw
11	305-017	Hi Flow air inlet swivel (includes #12)
12	510-010	O-ring
13	305-010	Regulator Assembly, EXO Original (includes #11)
14	320-015	EXO Frame, Black
15	330-020	Screw
16	330-210	Washer
17	350-040	T-Nut
18	320-019	Buckle Cap, black
19	345-010	Buckle Assembly, EXO 26 Mask
20	310-001	Mask Seal, EXO 26
21	320-040	Regulator Mount Washer
22	350-005	Regulator Mount Nut
23	310-015	Inlet Tube



Optional Communications Assemblies

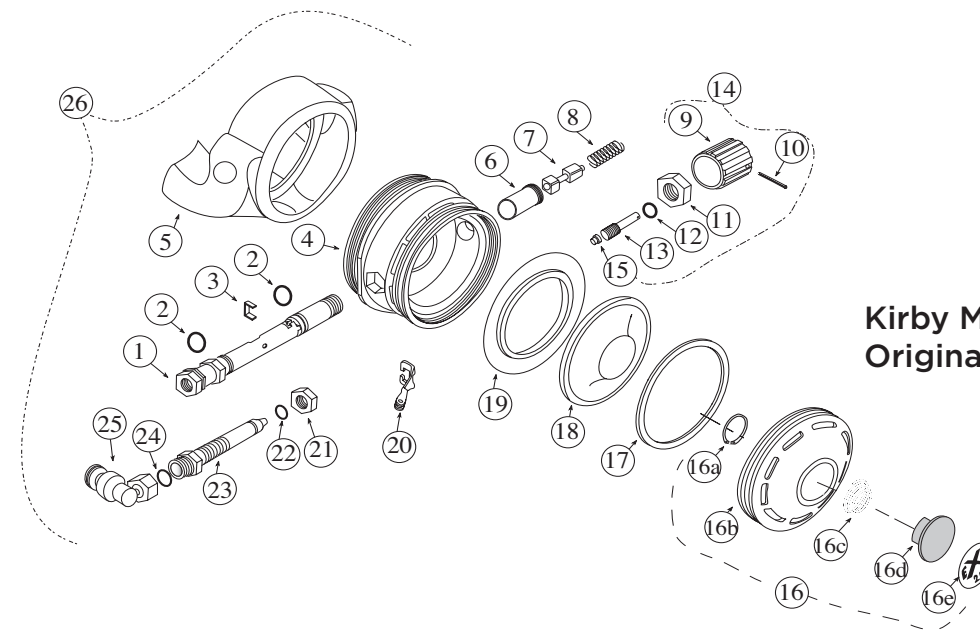


Optional Communications Assemblies

Location #	Part #	Description
1	320-026	Comm Mount Nut
2	305-020	Module w/screws w/3 & 4
3	330-035	Washer
4	330-030	Screw
5	315-017	Microphone Assembly, EXO Orig.
6	310-060	Microphone Cup
7	315-016	Earphone, Left, EXO
8	315-015	Earphone Right, EXO
9	515-045	W.P. Connector, (Male) 4-Pin
10	315-005	Pigtail
11	350-070	Mount Nut
12	515-049	Single Wire Terminal
13	315-020	Comm. Posts
14	530-525	Washer
15	530-308	Hex Nut
Complete Assemblies		
	315-201	Comm Module complete Assem. w/comms & posts
	315-206	Comm Module complete Assem. w/comms & Male W.P.Connector

Kirby Morgan EXO Original Regulator

Location #	Part #	Description	Location #	Part #	Description
1	350-010	Main Tube	16a	535-905	Retaining Clip
2	310-013	O-ring	16b	350-075	Regulator Cover
3	340-004	Horseshoe	16c	535-810	Spring, Purge Button
4	320-005	Regulator Body	16d	520-017	Purge Button
5	310-020	Exhaust Whisker	16e	320-070	EXO Purge Sticker
6	350-035	Sleeve	17	320-030	Washer
7	305-030	Inlet Valve, EXO Orig./Std.	18	510-553	Diaphragm
8	335-005	Spring	19	310-065	Exhaust Valve
9	320-035	Knob, Adjustment	20	545-038	Roller Lever Arm Assembly
10	530-601	Retaining Pin	21	350-020	Nut, Adjustment
11	350-025	Packing Nut	22	510-010	O-ring
12	510-011	O-ring	23	350-015	Nipple Tube
13	350-045	Shaft, Adjustment	24	510-010	O-ring
14	305-015	Reg Adjustment Assembly	25	305-017	Hi Flow air inlet swivel(w/ 24)
15	350-065	Spacer, Delrin	26	305-010	Regulator Assembly, EXO Orig.
16	305-005	Cover Assembly (EXO)			



Kirby Morgan EXO Original Regulator

CAUTION
 Use only Kirby Morgan original replacement parts. The use of other manufacturers' parts will interfere with the performance characteristics of your life support equipment and may jeopardize your safety. Additionally, any substitutions will void any warranties offered by KMDSI. When ordering spares, always insist on Kirby Morgan original parts.



Kirby Morgan Dive Systems, Inc.® 1430 Jason Way, Santa Maria, CA 93455
 Phone: 805/928-7772 Fax: 805/928-0342
www.KirbyMorgan.com e-mail: kmsdi@KirbyMorgan.com