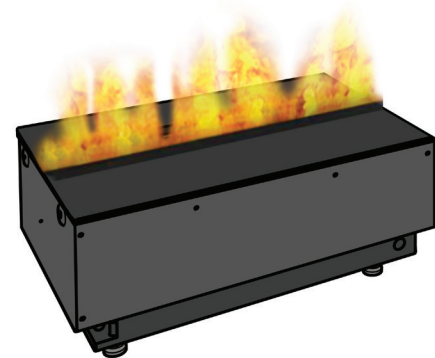




AQUAFIRE MODULAR FIREPLACE INSERTS

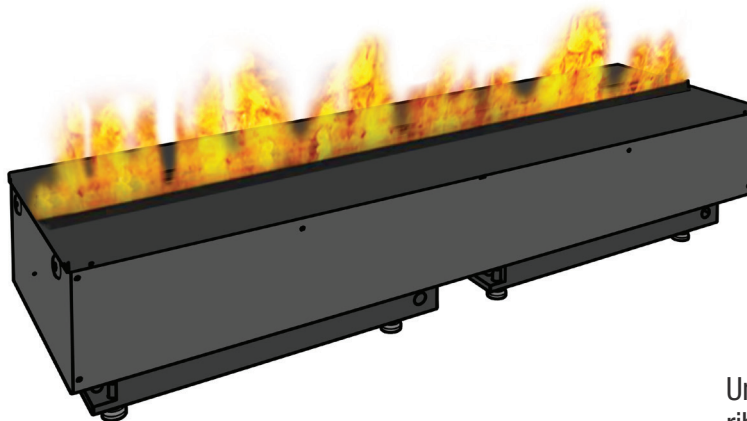
- Remote Controlled Fireplace Modules.
- Convincing 3D flame effect.
- Gang modules together to create long continuous ribbons of 'fire'.
- Ultrasonic misters create cool, rising water vapor.
- LED lights illuminate the water vapor creating amazing flame effect.
- Adjustable flame height w optional crackling fire sound.
- Fuel is simply tap water. Extremely low cost to operate.
- Can be direct plumbed for continuous refill, or, manually fill water tanks...lasts approximately 6-7 hours.
- Zero Liability: completely safe, no real fire, heat, or emissions.
- Remote Control manages On-Off, Flame Height & Sound.
- Can be integrated with any in-room automation system.
- Includes iOS Mobile App for full control direct from iPhone / iPad.
(available: August 2016)
- UL Listed



AQUAFIRE / 20" Module / AF500

SKU#: 099-AB-AQ-020

NEW! Available October 2016

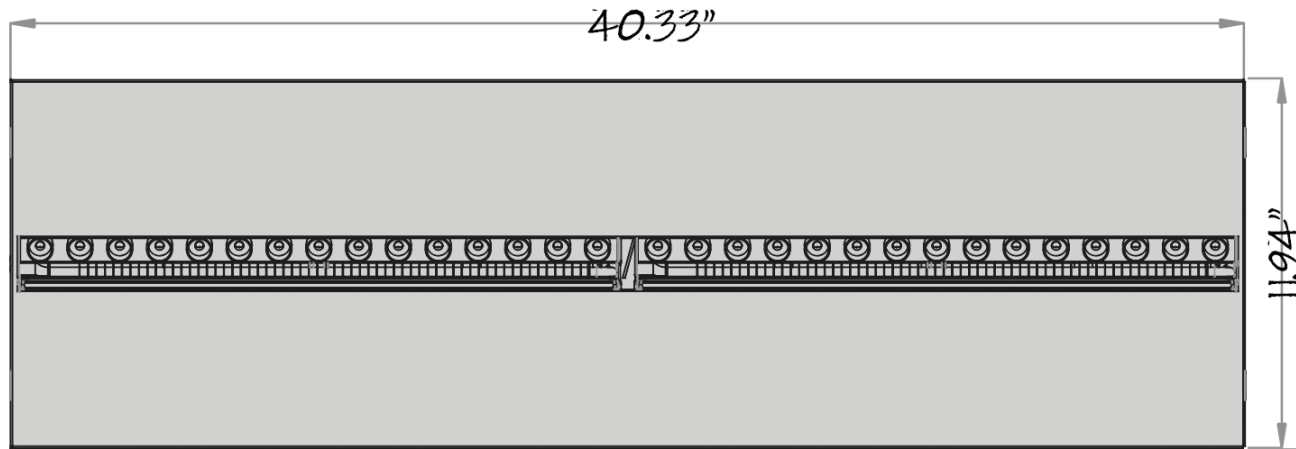


AQUAFIRE / 40" Module / AF1000

SKU#: 099-AB-AQ-040

Units can be ganged together create longer ribbons of fire incrementally that are: 60", 80", 100", 120", 140" 160" and longer.

Product Dimensions / AF1000 / 40" Module

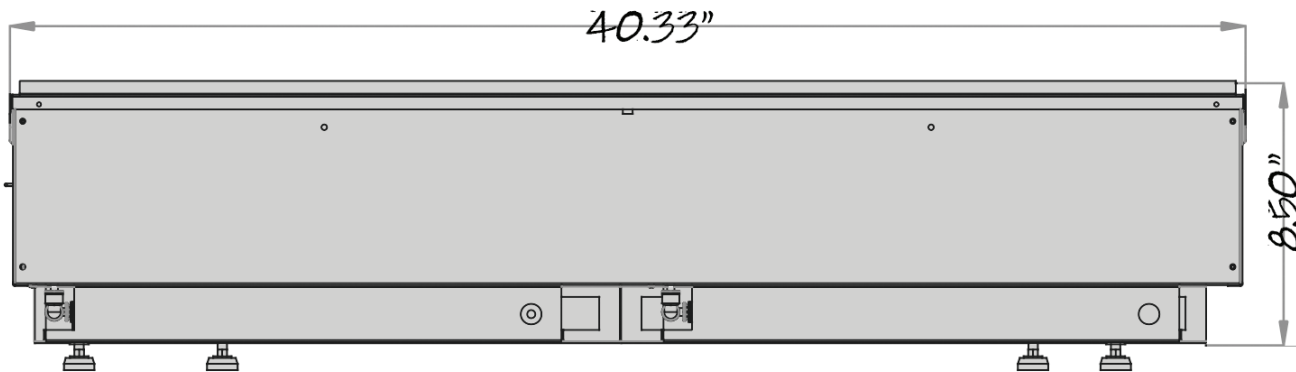


PLAN VIEW

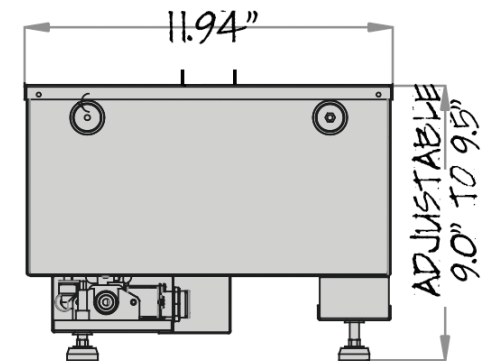
MINIMUM CAVITY DIMENSIONS
12.5" x 41.33" x 9.25" DEEP

ALLOWS ADEQUATE CLEARANCE
TO INSURE EASY INSTALLATION
& ACCESS FOR MAINTENANCE.

REQUIRES MINIMUM OF 100
SQARE INCHES OF AIR INTAKE
FROM BELOW.
MORE AIR INTAKE IS BETTER.
(SEE FOOTPRINT DIAGRAM).

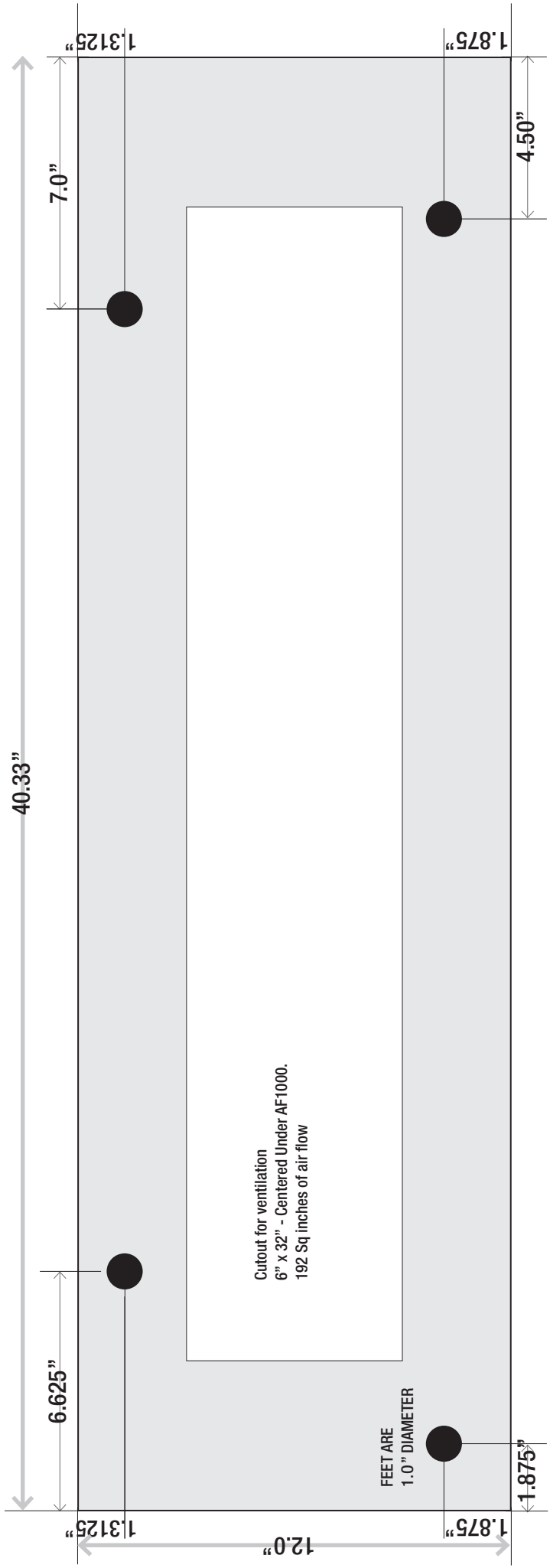


ELEVATION



END ELEVATION

AQUAFIRE FOOTPRINT PLAN
AF1000 module is 40.33" x 12.0"

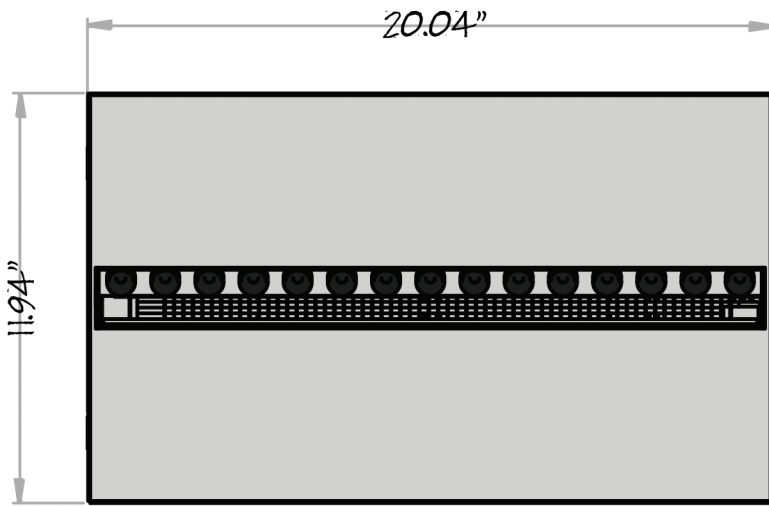


Cutout for ventilation
6" x 32" - Centered Under AF1000.
192 Sq inches of air flow

FEET ARE
1.0" DIAMETER

LUMINA PRODUCTS INC
QUESTIONS : GENE HAMMOND 336.510.8859 OR GENE@LUMINAPRODUCTS.COM

Product Dimensions / AF500 / 20" Module

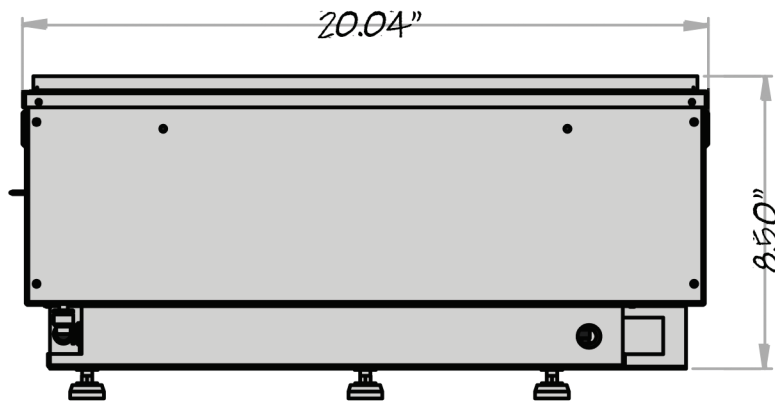


PLAN VIEW

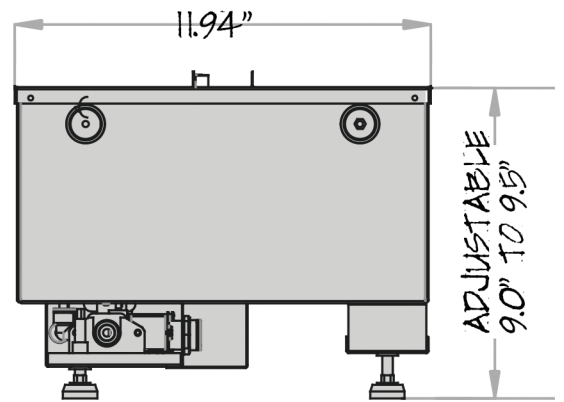
NOTE: MINIMUM CAVITY DIMENSIONS
12.5" X 21.04" X 9.25" DEEP

ALLOWS ADEQUATE CLEARANCE TO
INSURE EASY INSTALLATION & ACCESS
FOR MAINTENANCE.

REQUIRES MINIMUM OF 50 SQUARE
INCHES OF AIR INTAKE FROM BELOW.
MORE AIR INTAKE IS BETTER.
SEE FOOTPRINT DIAGRAM.



ELEVATION



END ELEVATION