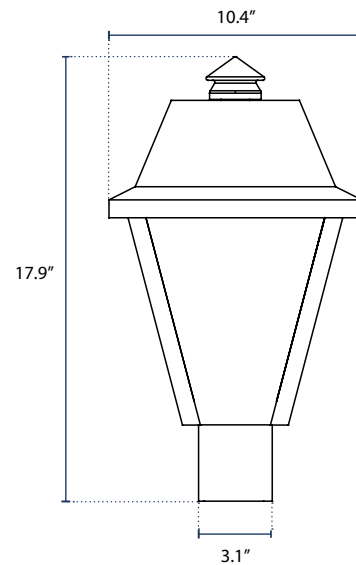


**PT-T8**  
POST TOP



**SPECIFICATIONS**

ALL ORDERING OPTIONS ARE BREX EXPRESS



**Casting**

Stainless Steel

**Driver**

Meanwell

**LED's**

Available Upon Request

**Finish**

Polyester Powder-Coat  
Electrostatically  
Applied & Thermocured

**Mounting**

3.1" Inside Diameter

**Post Top**

LED  
Height: 17.9"  
Width: 10.4"

**Pole**

Fits all Brandon Industries 3"  
and 4" poles and 5" poles with  
a tenon

**Voltage**

100-277V

**CRI**

>70

**Distribution**

Type IV & Type V

**Efficiency**

120-140 lm/W

**ORDERING**

POST TOP	LAMP TYPE	CCT	WATTAGE	VOLTAGE	OPTICS	MOUNTING	FINISH
PT-T8	INTEGRATED LED BOARD			100-277V		POLE/TENON	
		3000K	25W		TYPE IV		BK Semi Gloss Black
		4000K	35W		TYPE V		DB Textured Dark Bronze
		5000K					

**ENERGY CHART**

---

LAMP TYPE	WATTAGE	LUMEN	LM/W
INT	30W	3,300	110lm/w
INT	50W	5,500	110lm/w
CC	18W	2,520	140lm/w
CC	27W	3,800	140lm/w
CC	36W	5,000	140lm/w
CC	54W	7,600	140lm/w