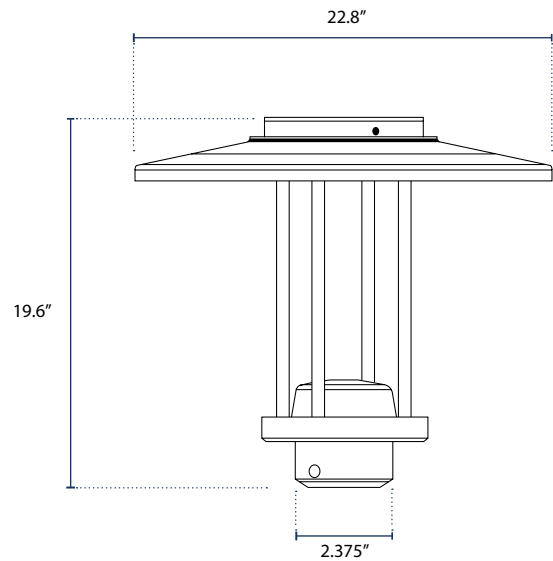


PT-M5

POST TOP



SPECIFICATIONS

ALL ORDERING OPTIONS ARE BREX EXPRESS



Casting

Die Cast Aluminum

Post Top EPA

 0.89 ft²

Driver

Meanwell

LED's

Available Upon Request

Finish

 Polyester Powder-Coat
 Electrostatically
 Applied & Thermocured

Mounting

2.375" Inside Diameter

Post Top

LED

Height: 19.6"

Width: 22.8"

Pole

 Fits all Brandon Industries 3"
 and 4" poles with a tenon

Voltage

120-277V

CRI

>70

Distribution

Type V

Efficiency

90-110 lm/W

ORDERING

| POST TOP | LAMP TYPE | CCT | WATTAGE | VOLTAGE | OPTICS | MOUNTING | FINISH |
|----------|----------------------|-------|---------|----------|--------|------------|-------------------------|
| PT-M5 | INTEGRATED LED BOARD | | | 120-277V | Type V | POLE/TENON | |
| | | 3000K | 35W | | | | BK Semi Gloss Black |
| | | 4000K | 50W | | | | DB Textured Dark Bronze |
| | | 5000K | | | | | |