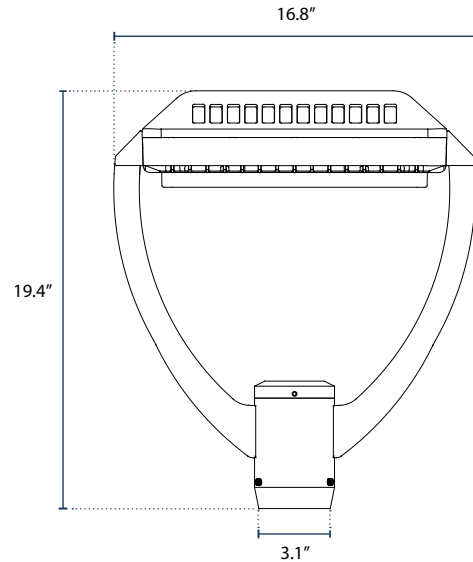


PT-M4
POST TOP



RESPONSIBLE SKY
100% DOWNLIGHT



SPECIFICATIONS

ALL ORDERING OPTIONS ARE BREX EXPRESS



Casting

Die Cast Aluminum

Post Top EPA

1.04 ft²

Driver

Meanwell

LED's

Available Upon Request

Finish

Polyester Powder-Coat
Electrostatically
Applied & Thermocured

Mounting

3" Inside Diameter

Post Top

LED
Height: 19.4"
Width: 16.8"

Pole

Fits all Brandon Industries 3"
and 4" poles and 5" poles with
a tenon

Voltage

120-277V

CRI

>70

Distribution

90°

Efficiency

100-120 lm/W

ORDERING

POST TOP	LAMP TYPE	CCT	WATTAGE	VOLTAGE	OPTICS	MOUNTING	FINISH
PT-M4	INTEGRATED LED BOARD			100-277V	90°	POLE/TENON	
		3000K	70W				BK Semi Gloss Black
		4000K	100W				DB Textured Dark Bronze
		5000K	120W				