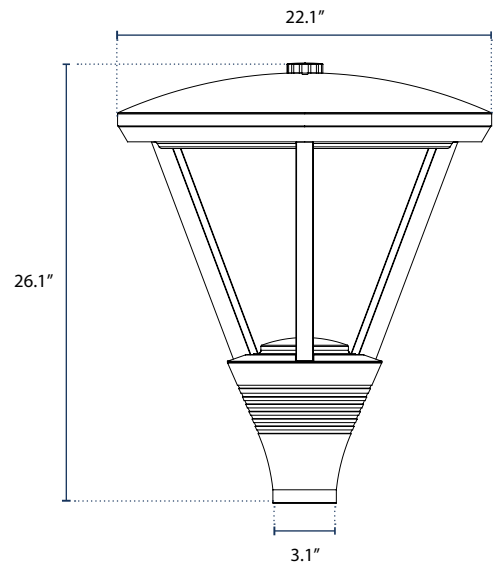


PT-M10
POST TOP



RESPONSIBLE SKY
100% DOWNLIGHT



SPECIFICATIONS

ALL ORDERING OPTIONS ARE BREX EXPRESS



Casting

Die Cast Aluminum

Post Top EPA

0.89 ft²

Driver

Meanwell

LED's

Available Upon Request

Finish

Polyester Powder-Coat
Electrostatically
Applied & Thermocured

Mounting

3" Inside Diameter

Post Top

LED
Height: 26.1"
Width: 22.1"

Pole

Fits all Brandon Industries 3"
and 4" poles and 5" poles with
a tenon

Voltage

100-277V

CRI

>70

Distribution

Type IV & Type V

Efficiency

90-110 lm/W

ORDERING

POST TOP	LAMP TYPE	CCT	WATTAGE	VOLTAGE	OPTICS	MOUNTING	FINISH
PT-M10	INTEGRATED LED BOARD			100-277V		POLE/TENON	
		3000K	45W		TYPE IV		BK Semi Gloss Black
		4000K	60W		TYPE V		DB Textured Dark Bronze
		5000K					