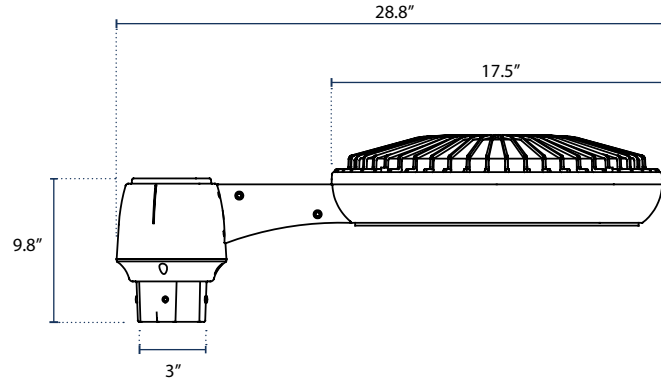


H-02
POST TOP



RESPONSIBLE SKY
100% DOWNLIGHT



SPECIFICATIONS

ALL ORDERING OPTIONS ARE BREX EXPRESS



Casting

Die Cast Aluminum

Post Top EPA

1.22 ft²

Driver

Meanwell

LED's

Available Upon Request

Finish

Polyester Powder-Coat
Electrostatically
Applied & Thermocured

Mounting

3.1" Inside Diameter

Post Top

LED
Height: 10"
Width: 30"

Pole

Fits all Brandon Industries 3"
and 4" poles and 5" poles with
a tenon

Voltage

100-277V

CRI

>70

Distribution

Type IV & Type V

Efficiency

90-110 lm/W

ORDERING

POST TOP	LAMP TYPE	CCT	WATTAGE	VOLTAGE	OPTICS	MOUNTING	FINISH	OPTIONS
H-02	INTEGRATED LED BOARD			100-277V		POLE/TENON		
		3000K	50W		TYPE IV		BK Semi Gloss Black	- None
		4000K	80W		TYPE V		DB Textured Dark Bronze	P Photocell
		5000K						