

## Specifications

Input Line Voltage.....120-277 VAC; 120-347V (Canada only)  
 Input Line Frequency.....50HZ/60HZ  
 Wattage.....2FT=24W, 4FT=20W, 4FT=40W, 8FT=65W  
 Lumens.....2FT=3120L, 4FT=2600L, 4FT=5400L, 8FT= 8775L  
 Lumens per Watt.....>130 LPW  
 Rated Life.....50,000 hours  
 Color Temperature.....4000K & 5000K  
 Dimming.....0-10V (Standard)  
 Operating Temperature.....-20°C (-4°F) to 50°C (122°F)  
 CRI.....>80  
 Power Factor.....>0.9  
 THD.....<20%  
 Controls.....Occupancy sensor w/ Daylight harvesting (optional)

## Features

- Durable lens and housing
- -20C (-4°F) to 50C (122°F) operating range
- Stainless steel clips allow for easy lens removal

Item Number	
Notes	Type



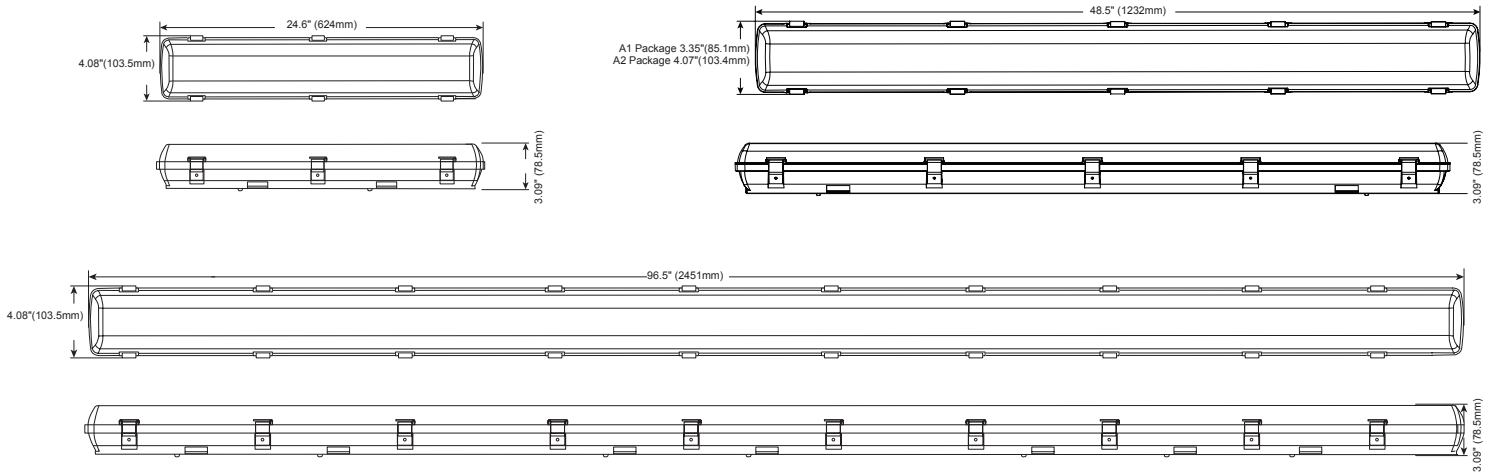
### Listings

UL and cUL listed  
 RoHS Compliant  
 DLC 5.0 Premium  
 IP65

### Warranty

Five year limited warranty against defects in manufacturing.

Spacing Criterion (0-180): 1.22  
 Spacing Criterion (90-270): 1.22



## Catalog Ordering Matrix

Example: VTF2UZDA140K

FAMILY	LENS	LENGTH	VOLTAGE	DIMMING	LUMEN PACKAGE (Power) <sup>1,2</sup>	CCT	OPTIONS
VT = Vapor Tight	F = Frosted lens	2 = 2 foot	U = 120V-277V H = 120-347V	ZD = 0-10V Dimming	A1 – 3100 Lumens (24W)	40K = 4000K 50K = 5000K	EB – Emergency Backup SW1 – Microwave Motion Sensor
VT = Vapor Tight	F = Frosted lens	4 = 4 foot	U = 120V-277V H = 120-347V	ZD = 0-10V Dimming	A1 – 2600 Lumens (20W) A2 – 5400 Lumens (40W)	40K = 4000K 50K = 5000K	
VT = Vapor Tight	F = Frosted lens	8 = 8 foot	U = 120V-277V H = 120-347V	ZD = 0-10V Dimming	A1 – 8775 Lumens (65W)	40K = 4000K 50K = 5000K	

<sup>1</sup> Approximate lumen output. Actual performance may vary based on CCT, options selected and end user application.

<sup>2</sup> Actual wattage may differ by +/- 10%.

<sup>3</sup> EB not compatible with SW1 sensor.

INDICATES BREX EXPRESS



5 YEAR WARRANTY\*