

LED Area Light

Product Specifications



TCP's LED Area Light features a modern, lightweight design with tool-less driver compartment clips resulting in an easier and faster installation. The durable, 3G tested, luminaire construction provides bright, uniform light while maintaining a zero uplight BUG rating, allowing for Dark Sky Conformance. An energy efficacy of up to 137LPW combined with a 50,000 hour rated life significantly decreases energy, maintenance, labor and material costs over the life of the fixture – perfect for utility rebate programs.

Reasons to choose the LED Area Lights from TCP

- Uses up to 72% less energy than traditional HID
- Long 50,000 hour rated life minimizes replacement and labor costs
- Factory installed 3-pin or 7-pin NEMA photocontrol receptacle options available
- Easy-to-install mounting accessories available for various mounting options
- Mercury-free construction is great for all environments
- IP65 Rated – suitable for outdoor installation
- Lightweight and low Effective Projected Area (EPA) reduces stress on existing poles
- Dark Sky Conformance: Full cutoff fixture results in zero uplight emission
- Tool-free access to electrical compartment for easy field maintenance

Ideal Applications

- HID Shoebox Replacements
- Shopping Malls
- Parking Lots and Parking Garage Top Level
- Walkways
- Stadium Lots
- Dark Sky Applications
- Campuses
- Auto Dealerships

Applications

TCP's LED Area Lights feature a low profile, 3G vibration rated design that delivers a bright, uniform light while saving energy over traditional HID sources. Maintenance costs are virtually eliminated over their long-rated life. Applications include parking lots, walkways, auto dealerships, campuses and other public areas.

Construction

- Visually appealing slim, low-profile design
- Flat top design promotes self cleaning during rain events
- Heavy duty die-cast aluminum housing
- Durable UV stabilized powder coat finish
- Many optional mounting accessories available (see page 6)

Electrical

- Accepts 120-277V or 277-480V
- NEMA 3-pin & 7-pin photocontrol receptacle options available
- System rated for long 50,000 hour rated life
- cULus wet location rated
- 10KV (120-277V) and 20KV (277-480V), surge suppression comes standard

Optics

- Durable acrylic optics resist yellowing
- Distribution Type III standard, Types IV and V optional
- Optics can be rotated to satisfy complex applications. See next page for more details



Listings

cULus Listed – wet location rated
 DLC 5.1 Premium
 RoHS Compliant
 IP65 Rated
 3G Vibration Rated

Installation

Surface or pole mounted
 Before installation, please consult your local ordinances and building codes for compliance

Warranty

Five year, 50,000 hour limited warranty against defects in manufacturing*
 * 10 year limited warranty available for an additional fee

Catalog Ordering Matrix Example: TALUZDA2T3F40KBRMS

TAL	ZD									
FAMILY	VOLTAGE	DIMMING	LUMENS PACKAGE (POWER) ^{1,2}	DISTRIBUTION	THROW	CCT ⁴	PHOTOCELL RECEPTACLE	COLOR ⁵	CONTROL OPTION ^{6,7}	
TAL – TCP Area Light	U – 120-277V H – 277-480V	ZD – 0-10V Dimming	A2 – 14,000 Lumens (100W) A3 – 19,500 Lumens (150W) A4 – 27,500 Lumens (200W) A5 – 37,500 Lumens (300W)	T3 – Type III T4 – Type IV T5 – Type V	F – Forward L – Left B – Backward R – Right	30K – 3000K 40K – 4000K 50K – 5000K	Blank – No Receptacle N7 – NEMA 7-PIN ³	BR – Bronze WH – White BK – Black	Blank – No Added Control MS – PIR/Daylight Sensor P3 – Adds a NEMA 3-Pin Photocell in the box P7 – Adds a NEMA 7-Pin Photocell in the box	

¹ Approximate lumen output. Actual performance may vary based on CCT, options selected and end user application.

² Actual wattage may differ by +/-10%.

³ Can be used with a standard 3-pin photocontrol.

⁴ 3000K CCT is a special order item. Work with your TCP Representative for lead time details.

⁵ BR - Bronze is the standard color. Other colors listed on spec sheet will require extended lead times.

⁶ Work with your TCP Representative for lead time details.

⁷ Leave photocell receptacle "Blank" when ordering MS control.

⁷ When adding P3 or P7 to the box, you must include the N7 photocell receptacle in your item number. For HZD products, photocell can only be applied in 347-480V applications.

Accessories:

FIELD INSTALLED ACCESSORIES:	
TALPIRREMOTE	Remote Control to program the Motion Sensor. Only one needed per job
4INPOLEREDUCER	4" Pole Reducer
5INPOLEREDUCER	5" Pole Reducer
TALSHIELD1	Backlight Shield for A2 & A3 lumen packages
TALSHIELD2	Backlight Shield for A4 & A5 lumen packages
PC3UNDBU	3 Pin ON/OFF only photocontrol for use with 120-277V applications
PC7UDIMBU	7 Pin ON/OFF + daylight harvest photocontrol for use with 120-277V applications
PC3HNDBU	3 Pin ON/OFF only photocontrol for use with 347-480V applications
PC7HDIMBU	7 Pin ON/OFF + daylight harvest photocontrol for use with 347-480V applications

INDICATES BREX EXPRESS



TAL Area Light with Backlight Shield installed



Specifications and dimensions subject to change without notice.

Specifications

Input Line Voltage	120-277 & 277-480VAC
Input Line Frequency (Hz)	50/60HZ
Lumens / Wattage	14,000L (100W) 19,500L (150W) 27,500L (200W) 37,500L (300W)
Lumens per Watt (LPW).....	>137 LPW
Color Temperature (CCT)	3000K, 4000K, 5000K
Rated Life.....	50,000 hours
Controls	NEMA 3-pin & 7-pin Photocontrol Receptacle options available
Operating Temperature.....	-40°C to 50°C
CRI.....	70+
Power Factor	>0.9
Surge Protection	10KV (120-277V), 20KV (277-480V)
THD.....	<20%
Ratings	UL/cUL, DLC Premium 5.1, IP65 Wet Location rated



Warranty

Five year limited warranty against defects in manufacturing

Replacement Strategy

TYPE	WATTAGE*	ENERGY SAVINGS (%)
TCP Area Light A2 - 14,000 Lumens	100W	—
250W Metal Halide	295W	66%
400W Metal Halide	458W	78%
TCP Area Light A3 - 19,500 Lumens	150W	—
250W Metal Halide	295W	49%
400W Metal Halide	458W	67%
TCP Area Light A4 - 27,500 Lumens	200W	—
400W Metal Halide	458W	56%
1000W Metal Halide	1081W	81%
TCP Area Light A5 - 37,500 Lumens	300W	—
400W Metal Halide	458W	34%
1000W Metal Halide	1081W	72%

*Actual wattage may differ by +/- 5%, when operating between 120-277V +/- 10%.

NOTE: Charts show system lumens (delivered lumens), NOT straight lamp lumen output. This is calculated as follows:
System lumens = mean lumens x # lamps x ballast factor x luminaire efficiency factor

Factory Installed Optic Distribution Flexibility



F – Forward Throw

Example Item #:
TALUZDA4T3**F**50KBR



R – Right Throw

Example Item #:
TALUZDA4T3**R**50KBR



B – Backward Throw

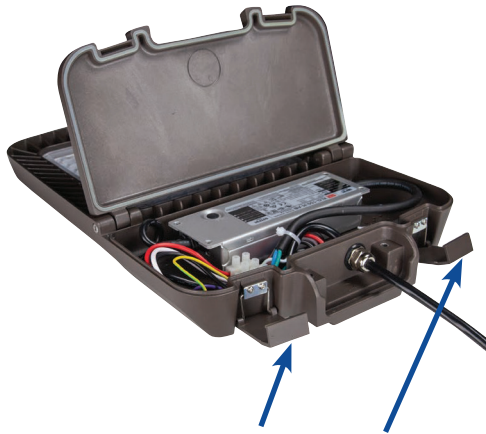
Example Item #:
TALUZDA4T3**B**50KBR



L – Left Throw

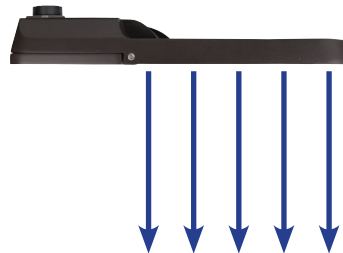
Example Item #:
TALUZDA4T3**L**50KBR

Tool-less Maintenance



The TAL Area Light features clips on the rear of the fixture to close the electrical compartment. These clips open and close without the need for tools, making maintenance and repairs in the field simple.

Dark Sky Conformance



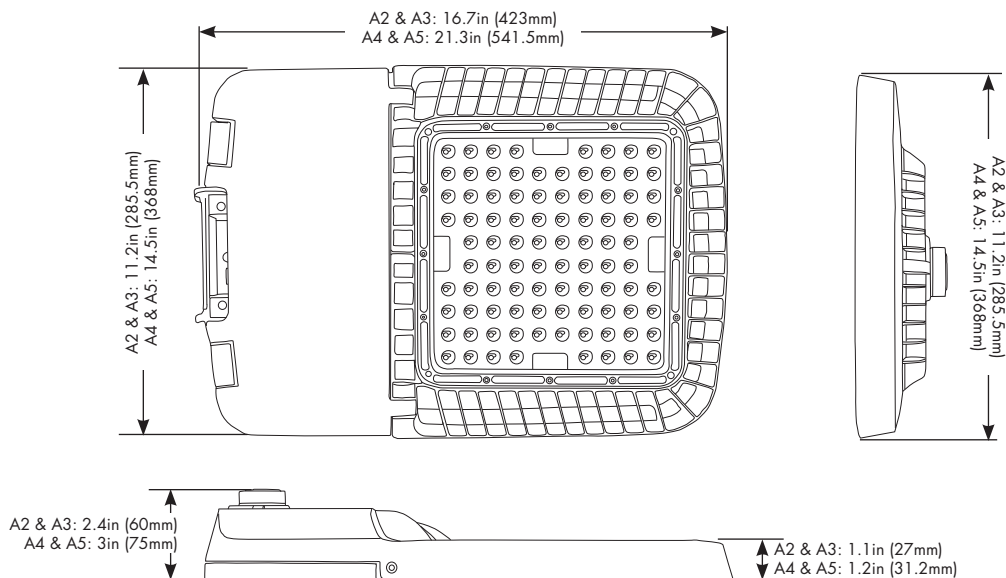
The TAL Area Light emits zero light above 90° and allows for conformance to the International Dark Sky Association's fully shielded light source requirement.

This does not include incidental light reflections.

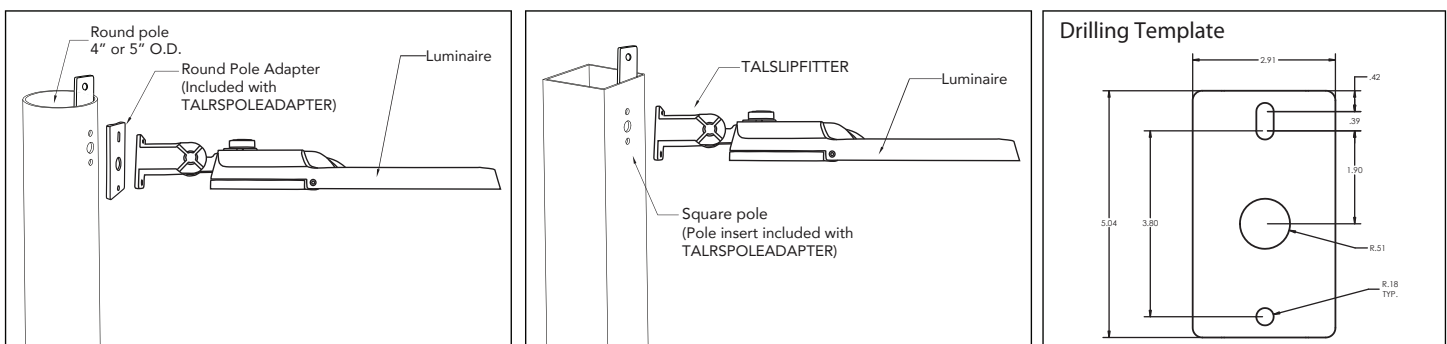
Effective Projected Area (EPA) of Area Light

Lumen Package	1	2 @90°	2 @180°	3 @90°	3 @120°	4 @90°
A2 (100W) A3 (150W)	0.5	0.7	1.0	1.1	1.1	1.1
A4 (200W) A5 (300W)	0.7	1.0	1.4	1.5	1.5	1.5

Dimensions



Mounting Diagrams



Mounting Accessories



TALSIPFITTER

This cast aluminum slipfitter mount secures the luminaire to nominal 3" (2 3/8" O.D. pipe size) horizontal arm or vertical tenon. This mount can also be applied directly to the wall using the flanges shown above.



TALRPOLEADAPTER

This round or square pole mount adapter allows the TALSIPFITTER to mount the side of a round or square pole. This can be used with 4" or 5" square or round poles.



TALTRUNNION

This trunnion mount accessory allows for wall mounting with a flexible angle adjustment.

Performance Data

Lumen Package	Watts	Voltage	Distribution	Lumens	B-U-G Rating
A2	99	120-277V	Type III	13,706	B3-U0-G2
	103	277-480V	Type III	14,158	
A3	149	120-277V	Type III	19,244	B3-U0-G3
	153	277-480V	Type III	19,680	
A4	200	120-277V	Type III	27,473	B3-U0-G4
	201	277-480V	Type III	27,673	
A5	306	120-277V	Type III	37,767	B4-U0-G4
	299	277-480V	Type III	37,160	

Specifications and dimensions subject to change without notice.

For the most up-to-date specs and warranty information, please visit www.tcpi.com

TCP®

325 Campus Dr. | Aurora, Ohio 44202 | P: 800-324-1496 | tcpi.com

©TCP FEB 2022/WF230457



5 YEAR WARRANTY

Not all versions of this product are qualified on the DLC GPL. To view our DLC qualified products, please consult the DLC Qualified Products List at www.designlights.org/gpl.