

Collection Particuliere

# Lek Sofa

---



**This product is made to order in France.**

A distinguishing characteristic of the Lek collection is its architectural silhouette. With a sculpted and gently curved back and arms, it is beautiful when floating in a room. The sofa has a low European seat height and sits directly on the floor with no legs exposed. Modern and oh-so chic, the Lek is offered in a variety of configurations (curved and straight), and is available in a selection of fabrics or COM (Customer's Own Material). To make a fabric selection and place an order, please contact Concierge. Refer to View/Print Spec Sheet for all dimensions. Customization is available, including the change of a radius curve, the depth, length, or seat height. For advanced customizations, a 10% surcharge will apply to account for the extra labor of the design team. As a general rule, this will be any time our ateliers require our design team to redesign and provide a drawing.

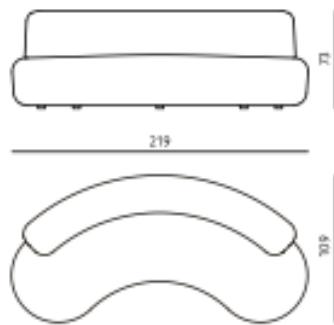
## Details

- Material: Upholstered
- Available in a selection of fabrics.
- Designed by Christophe Delcourt
- Made in France
- Length is customizable.
- Available in dining height.

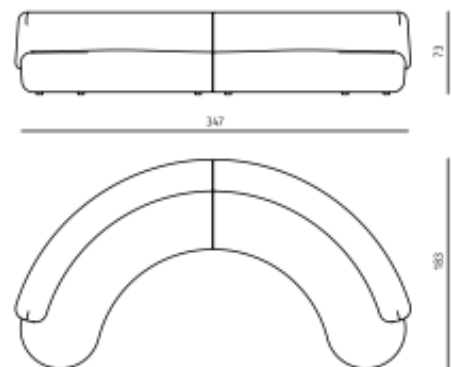
Collection Particuliere  
**Lek Sofa**



**banquette**  
dimensions : 219 x 109 x h73 cm / COM: 8 ml  
seat height 42 cm / seat depth 51 cm



**double banquette**  
dimensions : 347 x 183 x h73 cm / COM: 20 ml  
seat height 42 cm / seat depth 51 cm



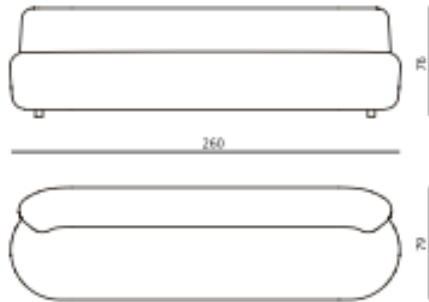
Collection Particuliere

# Lek Sofa

---

**straight banquette 260**

dimensions : 260 x 79 x h76 cm / COM: 11 ml  
seat height 45 cm / seat depth 51 cm



**straight banquette 300**

dimensions : 300 x 79 x h76 cm / COM: 13 ml  
seat height 45 cm / seat depth 51 cm

