



401 South Grand Ave., Santa Ana, CA 92705 USA
Tel: 714-550-6070 Fax: 714-550-9661 www.twobros.com

Ducati 750 Sport Dual Slip-On Exhaust System



Parts List

QTY.	DESCRIPTION	PART NUMBER
1	MUFFLER (17.5", LEFT EXIT)	VARIES
1	MUFFLER (17.5", RIGHT EXIT)	VARIES
2	MUFFLER CLAMPS	VARIES
1	STAINLESS STEEL S-BEND (PAIR)	005-1404N
4	80MM SPRINGS	005-S80
2	8MM X 60MM SOCKET HEAD CAP SCREWS	N/A
2	26MM SPACERS	005-S-26
2	8MM FLANGE NUTS	N/A
2	8MM WASHERS	N/A
1	HI-TEMP SEALANT	031-P22072
2	TWO BROTHERS RACING STICKERS	015-10197



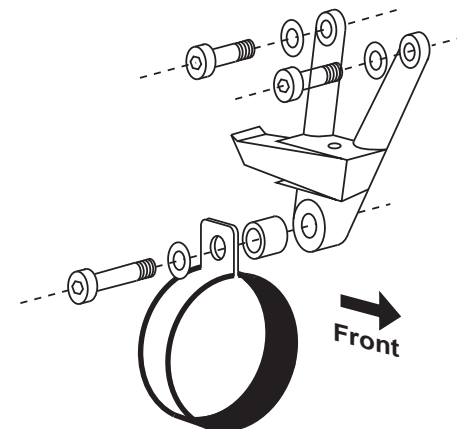
IMPORTANT - PLEASE READ CAREFULLY

We recommend that this performance exhaust system be installed by a qualified motorcycle technician. If you have any doubts as to your ability to install this exhaust system, please consult with your local motorcycle dealer. Read all instructions first before starting installation. Make sure the motorcycle and exhaust system are completely cool before starting the installation. Also, make sure the bike is secure on the sidestand or ideally a rear service stand during installation. Be sure to save all stock exhaust components for possible use later.

Installation Instructions

1. Make sure the bike is completely cool before starting the installation. Make sure the bike is secure on the sidestand or ideally a rear service stand.
2. Remove the stock mufflers at the passenger footpeg bracket and where they slide into the end of each exhaust pipe.
3. Slip the connector pipes onto the stock headers down beneath the rider footpegs.
4. Place a bead of the hi-temp sealant on the outside edge of the header that goes into the s-bend. Slide the s-bend onto the end of the header. Wipe off the excess sealant that will squeeze out. Repeat on opposite side.
5. Place a bead of the hi-temp sealant on the outside edge of the s-bend that goes into the canister. Slide the TBR canister onto the end of the S-bend pipe. Wipe off the excess sealant that will squeeze out. You can adjust the muffler position by rotating the slip-on pipe where it meets the header. Repeat on opposite side.
6. Carefully slide the muffler clamp over the muffler. (Note: The stainless steel canister clamp and the name badge on the canister come from the factory with a clear plastic protective film. Please remove this film before operation.) You may need to twist and turn the S-bend a little to get it in the right place. Locate both tabs of the canister clamp outside of the spacer. Use the 8mm x 75mm hardware to secure it. **Leave loose for now.** Repeat on opposite side.
7. Make sure everything is aligned and tighten all hardware. Affix the connector springs to the muffler. Be sure to check for proper clearance between the exhaust system and swingarm.
8. Before you run the bike, clean off all fingerprints and dirt, as any oily residue will etch the metal and become somewhat permanent when the system gets hot. Run the bike and enjoy. It is normal for some white smoke to appear the first time you start the bike. This is packing/manufacturing oil from inside the pipe burning off. Check for gaps or leaks. If you find a leak, a little high temperature silicon sealant should fix it. After 50 to 100 miles, recheck all fasteners for tightness.

Canister Clamp Detail



Care & Cleaning / Warranty

Care & Cleaning

Keep system free of dirt and moisture. Store in a cool, dry place. For cleaning use a mild spray cleaner. Always apply cleaner or polish with a soft, clean cloth.

Stainless Header System: Polished stainless steel pipes will turn a light golden hue after a few heat cycles, this is a normal characteristic of high quality stainless steel.

Carbon Fiber & X-Metal Mufflers: X-Metal CF canisters will shift color from their original silver color to an amber color after a few heat cycles, similar to the way our stainless steel headers shift color. Always make sure the fiberglass packing inside is in good condition and not burned out, as exhaust heat inside an empty canister will deteriorate the Carbon Fiber / X-Metal CF sleeve. TBR sells repack kits (TBR part # 005-10038) that include new rivets and repack material as well as a drill bit (#30), making it easy to do yourself. Also, NEVER dyno test your bike with carbon fiber mufflers installed - the intense heat and lack of cooling air can quickly cause the CF material to burn. Two Brothers Racing does not provide a warranty for burned carbon fiber.

Aluminum Mufflers: Use an aluminum or mag wheel polish such as Mother's to restore the bright finish to factory spec.

Warranty

Two Brothers Racing products are intended for closed course competition purposes only, and therefore are sold "as is" without warranty. Two Brothers Racing specifically disclaims any warranties of merchantability or fitness for a particular purpose and disclaims all responsibility for consequential and incidental damages or any other losses arising from the use of these products or parts.