



401 South Grand Ave., Santa Ana, CA 92705
 Tel: 714.550.6070 Fax: 714.550.9661 www.twobros.com

Allen Head Case/Side Cover Hardware Set
 Kawasaki KLX110 & Suzuki DR-Z110
 Part # 022-1-16



Description

This hardware kit replaces the OEM phillips head screws with stronger, stainless steel socket head cap screws.

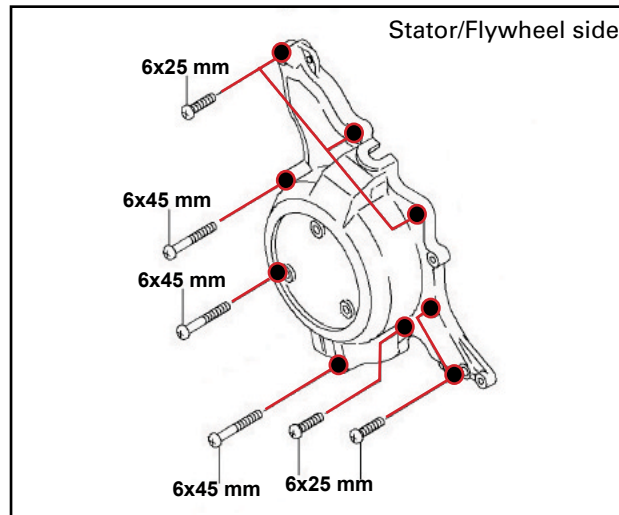
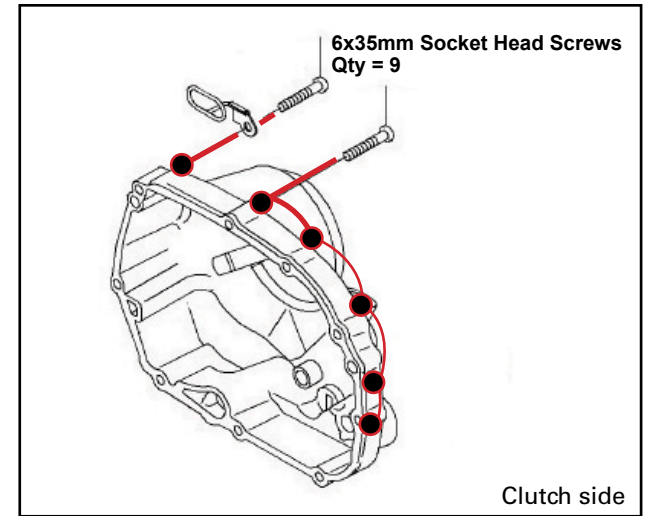
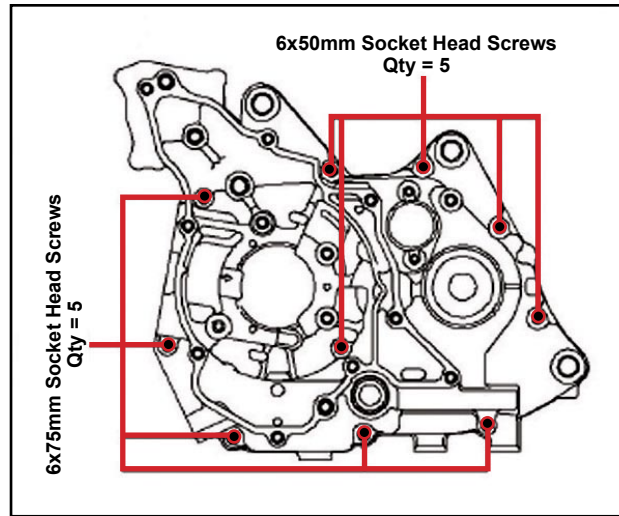
IMPORTANT - PLEASE READ CAREFULLY

We recommend that this performance part be installed by a qualified technician. If you have any doubts as to your ability to install this performance part, please consult with your local motorcycle dealer. Read all instructions first before starting installation. Make sure the motorcycle and exhaust system are completely cool before starting the installation. Also, make sure the bike is secure on a centerstand or ideally a service lift during installation. Be sure to save all stock components for possible use later.

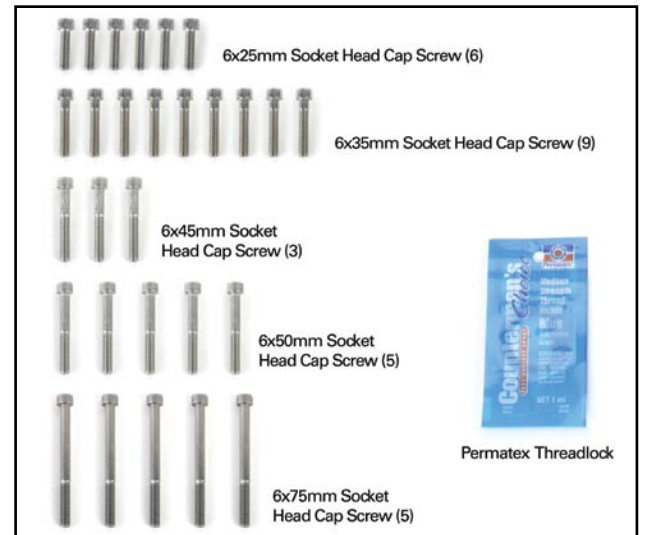
Warranty

Two Brothers Racing products are intended for closed course competition purposes only, and therefore are sold "as is" without warranty. Two Brothers Racing specifically disclaims any warranties of merchantability or fitness for a particular purpose and disclaims all responsibility for consequential and incidental damages or any other losses arising from the use of these products or parts.

Installation Instructions



022-1-16



| Qty. | Description | Part Number |
|------|-----------------------------------|-------------|
| 6 | 6x25 Socket Head Cap Screws | 005-SH625 |
| 9 | 6x35 Socket Head Cap Screws | 005-SH635 |
| 3 | 6x45 Socket Head Cap Screws | 005-SH645 |
| 5 | 6x50 Socket Head Cap Screws | 005-SH650 |
| 5 | 6x75 Socket Head Cap Screws | 005-SH675 |
| 1 | Permatex Med. Strength Threadlock | 031-P09178 |