



401 South Grand Ave., Santa Ana, CA 92705  
Tel: 714.550.6070 Fax: 714.550.9661 www.twobros.com



## 2002-05 Yamaha FZ1

V.A.L.E.™ Slip-On Exhaust Systems

Part # 005-290406V / 005-290407V / 005-290408V / 005-290419V / 005-290420V



### Parts List

Qty.	Description	Part Number
1	Muffler Canister	Varies
1	Muffler Canister Clamp	005-2C/5C
1	Slip-on Tube	005-2904V
1	<b>HARDWARE KIT</b>	005-29-3
2	X-Ring (half)	005-7-2-3
1	Barrel Clamp	005-27-71MSH
1	22mm Aluminum Spacer	005-S-2210
1	10mm Flange Nut	005-FN10
1	10mm Flat Washer	005-WF10
1	10x60mm Socket Head Cap Screw	005-SH1060
4	6x14mm Socket Head Cap Screws	005-SH614
4	6mm Split Lock Washer	005-WL6
1	Long Handle Ball End Hex Key	005-9-18610
1	Permatex Ultra Black Gasket Maker	031-P22072
1	TBR Sticker Kit	015-10212

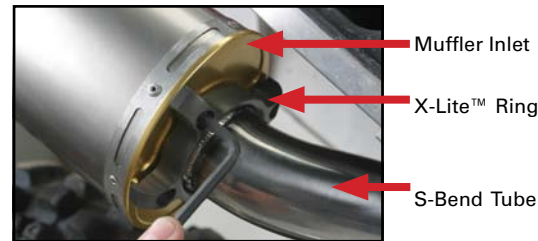
### IMPORTANT - PLEASE READ CAREFULLY

**We recommend that this performance part be installed by a qualified motorcycle technician. If you have any doubts as to your ability to install this performance part, please consult with your local motorcycle dealer. Read all instructions first before starting installation. Make sure the motorcycle and exhaust system are completely cool before starting the installation. Also, make sure the bike is secure on a centerstand or ideally a service lift during installation. Be sure to save all stock components for possible use later.**

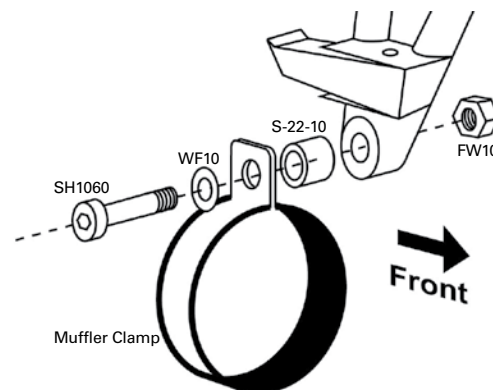
### Installation Instructions

1. Make sure the bike is completely cool before starting the installation. Make sure the bike is secure on a centerstand or ideally a service lift.
2. Loosen the clamp that holds the muffler connector pipe to the headers under the bike.
3. Remove the hardware that holds the stock muffler at the passenger footpeg bracket. Take off the muffler. Be sure you remove the gasket at the canister/header junction. You will not reuse this gasket.
4. Assemble the V.A.L.E.™ unit. Use the 4 (four) 6x14mm socket head cap screws and split lock washers to loosely attach the X-Lite™ ring to muffler inlet. **Leave loose for now.**

#### V.A.L.E.™ Assembly Detail



5. Slide the S-bend connector pipe onto the end of the headers, using the stainless steel T-bolt clamp to attach it to the headers. **Leave loose for now.**
6. Carefully slide the muffler clamp over the muffler. **(Note: The stainless steel canister clamp and the name badge on the canister come from the factory with a clear plastic protective film. Please remove this film before operation.)** You may need to twist and turn the S-bend a little to get it in the right place. Locate both tabs of the canister clamp on the outside of the passenger footpeg bracket. Use the supplied hardware to secure it. **Leave loose for now.**



7. Make sure everything is aligned and tighten all hardware. Including the V.A.L.E.™ unit and barrel clamp.
8. Before you run the bike, clean off all fingerprints and dirt, as any oily residue will etch the metal and become somewhat permanent when the system gets hot. Run the bike and enjoy. It is normal for some white smoke to appear the first time you start the bike. This is packing/manufacturing oil from inside the pipe burning off. Check for gaps or leaks. If you find a leak, a little high temperature silicon sealant should fix it. After 50 to 100 miles, recheck all fasteners for tightness.



### Care & Cleaning

#### Care & Cleaning

Keep system free of dirt and moisture. Store in a cool, dry place. Make sure vehicle is completely cool before maintenance.

**Stainless Header System:** Polished stainless steel pipes will turn a light golden hue after a few heat cycles, this is a normal characteristic of high quality stainless steel. Clean using a mild water based spray cleaner. Always apply cleaner or polish with a soft, clean cloth.

**Titanium Header System:** Polished titanium pipes will experience color shift ranging from deep blue/purple through amber after a few heat cycles. This is a normal characteristic of high quality titanium. Clean using a mild water based spray cleaner. Always apply cleaner or polish with a soft, clean cloth.

**Polished Aluminum Canisters:** Use an aluminum or mag wheel polish to restore the bright finish to factory spec.

**Brushed Aluminum Canisters:** Clean using a mild water based spray cleaner. Always apply cleaner or polish with a soft, clean cloth.

**Carbon Fiber Canisters:** Clean using a mild water based spray cleaner. Always apply cleaner or polish with a soft, clean cloth. Always make sure the fiberglass packing inside is in good condition and not burned out, as exhaust heat inside an empty canister will deteriorate the carbon fiber sleeve. TBR sells repack kits (Road - #005-10038, Offroad - #005-10038MX) that include everything you need to easily do it yourself.

**Titanium Mufflers:** For cleaning use a mild water based spray cleaner. Always apply cleaner or polish with a soft, clean cloth. Always make sure the fiberglass packing inside is in good condition and not burned out, as exhaust heat inside an empty canister will deteriorate the carbon fiber sleeve. TBR sells repack kits (Road - #005-10038, Offroad - #005-10038MX) that include everything you need to easily do it yourself.

Repack all road canisters every 3,000 miles. Part #005-10038  
Repack all offroad canisters after every 10 hours of use. Part #005-10038MX

**NEVER** dyno test your bike with carbon fiber or titanium canisters installed - the intense heat and lack of cooling air can quickly burn through the canister material. Two Brothers Racing does not provide a warranty for burned canisters.



401 South Grand Ave., Santa Ana, CA 92705  
Tel: 714.550.6070 Fax: 714.550.9661 www.twobros.com



**2002-05 Yamaha  
FZ1**

V.A.L.E.™ Slip-On Exhaust Systems  
Part # 005-290406V / 005-290407V / 005-290408V /  
005-290419V / 005-290420V



005-290408V



Qty.	Description	Part Number
1	Muffler Canister	005-208MR
1	Muffler Canister Clamp	005-2C1
1	Slip-on Tube	005-2904V
1	HARDWARE KIT	005-29-3
2	X-Ring (half)	005-7-2-3
1	Barrel Clamp	005-27-71MSH
1	22mm Aluminum Spacer	005-S-2210
1	10mm Flange Nut	005-FN10
1	10mm Flat Washer	005-WF10
1	10x60mm Socket Head Cap Screw	005-SH1060
4	6x14mm Socket Head Cap Screws	005-SH614
4	6mm Split Lock Washer	005-WL6
1	Long Handle Ball End Hex Key	005-9-18610
1	Permatex Ultra Black Gasket Maker	031-P22072
2	TBR Script Logo Yellow Decal 4"	015-10212

005-290406V



Qty.	Description	Part Number
1	Muffler Canister	005-206MR
1	Muffler Canister Clamp	005-2C
1	Slip-on Tube	005-2904V
1	HARDWARE KIT	005-29-3
2	X-Ring (half)	005-7-2-3
1	Barrel Clamp	005-27-71MSH
1	22mm Aluminum Spacer	005-S-2210
1	10mm Flange Nut	005-FN10
1	10mm Flat Washer	005-WF10
1	10x60mm Socket Head Cap Screw	005-SH1060
4	6x14mm Socket Head Cap Screws	005-SH614
4	6mm Split Lock Washer	005-WL6
1	Long Handle Ball End Hex Key	005-9-18610
1	Permatex Ultra Black Gasket Maker	031-P22072
2	TBR Script Logo Yellow Decal 4"	015-10212

005-290419V



Qty.	Description	Part Number
1	Muffler Canister	005-807MR
1	Muffler Canister Clamp	005-5C1
1	Slip-on Tube	005-2904V
1	HARDWARE KIT	005-29-3
2	X-Ring (half)	005-7-2-3
1	Barrel Clamp	005-27-71MSH
1	22mm Aluminum Spacer	005-S-2210
1	10mm Flange Nut	005-FN10
1	10mm Flat Washer	005-WF10
1	10x60mm Socket Head Cap Screw	005-SH1060
4	6x14mm Socket Head Cap Screws	005-SH614
4	6mm Split Lock Washer	005-WL6
1	Long Handle Ball End Hex Key	005-9-18610
1	Permatex Ultra Black Gasket Maker	031-P22072
2	TBR Script Logo Yellow Decal 4"	015-10212

005-290407V



Qty.	Description	Part Number
1	Muffler Canister	005-207MR
1	Muffler Canister Clamp	005-2C
1	Slip-on Tube	005-2904V
1	HARDWARE KIT	005-29-3
2	X-Ring (half)	005-7-2-3
1	Barrel Clamp	005-27-71MSH
1	22mm Aluminum Spacer	005-S-2210
1	10mm Flange Nut	005-FN10
1	10mm Flat Washer	005-WF10
1	10x60mm Socket Head Cap Screw	005-SH1060
4	6x14mm Socket Head Cap Screws	005-SH614
4	6mm Split Lock Washer	005-WL6
1	Long Handle Ball End Hex Key	005-9-18610
1	Permatex Ultra Black Gasket Maker	031-P22072
2	TBR Script Logo Yellow Decal 4"	015-10212

005-290420V



Qty.	Description	Part Number
1	Muffler Canister	005-808MR
1	Muffler Canister Clamp	005-5C1
1	Slip-on Tube	005-2904V
1	HARDWARE KIT	005-29-3
2	X-Ring (half)	005-7-2-3
1	Barrel Clamp	005-27-71MSH
1	22mm Aluminum Spacer	005-S-2210
1	10mm Flange Nut	005-FN10
1	10mm Flat Washer	005-WF10
1	10x60mm Socket Head Cap Screw	005-SH1060
4	6x14mm Socket Head Cap Screws	005-SH614
4	6mm Split Lock Washer	005-WL6
1	Long Handle Ball End Hex Key	005-9-18610
1	Permatex Ultra Black Gasket Maker	031-P22072
2	TBR Script Logo Yellow Decal 4"	015-10212