



401 South Grand Ave., Santa Ana, CA 92705 USA
Tel: 714-550-6070 Fax: 714-550-9661 www.twobros.com

Mfg: Yamaha **Make:** R6
Year: 1999-02
Product: High Mount Exhaust System



Parts List

1- Canister (slip-on, right exit)	2- Springs (# 005-S80)
1- Stainless Steel S-Bend (# 005-8804HT)	1- T-bolt clamp (# 27-61M)
1- Hanger Bracket (# 005-88HB)	2- Flush mount turn signals (# 005-88T)
1- Canister clamp	4- Scotch connectors
1- 8mm x 40mm Bolt	1- Packet of Hi-Temp Sealant (# 031-P22072)
2- 8mm x 45mm Bolt	
1- 8mm Flange Nut	
4- 8mm Washers	

Care & Cleaning / Warranty

Care & Cleaning

Keep system free of dirt and moisture. Store in a cool, dry place. For cleaning use a mild spray cleaner. Always apply cleaner or polish with a soft, clean cloth.

Stainless Header System: Polished stainless steel pipes will turn a light golden hue after a few heat cycles, this is a normal characteristic of high quality stainless steel.

Chrome Header System: Chromed header tubing will turn blue close to the exhaust ports, this is normal. To prevent corrosion you must keep the header pipes clean.

Carbon Fiber & X-Metal Mufflers: X-Metal CF canisters will shift color from their original silver color to an amber color after a few heat cycles, similar to the way our stainless steel headers shift color. Always make sure the fiberglass packing inside is in good condition and not burned out, as exhaust heat inside an empty canister will deteriorate the Carbon Fiber / X-Metal CF sleeve. TBR sells repack kits (TBR part # 005-10038) that include new rivets and repack material as well as a drill bit (#30), making it easy to do yourself. Also, NEVER dyno test your bike with carbon fiber mufflers installed - the intense heat and lack of cooling air can quickly cause the CF material to burn. Two Brothers Racing does not provide a warranty for burned carbon fiber.

Aluminum Mufflers: Use an aluminum or mag wheel polish such as Mother's to restore the bright finish to factory spec.

Warranty

Two Brothers Racing products are intended for closed course competition purposes only, and therefore are sold "as is" without warranty. Two Brothers Racing specifically disclaims any warranties of merchantability or fitness for a particular purpose and disclaims all responsibility for consequential and incidental damages or any other losses arising from the use of these products or parts.

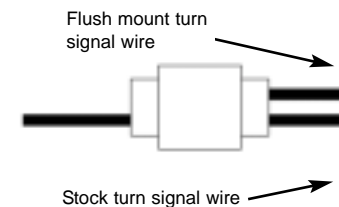
IMPORTANT - PLEASE READ CAREFULLY

We recommend that this performance exhaust system be installed by a qualified motorcycle technician. If you have any doubts as to your ability to install this exhaust system, please consult with your local motorcycle dealer. Read all instructions first before starting installation. Make sure the motorcycle and exhaust system are completely cool before starting the installation. Also, make sure the bike is secure on the sidestand or ideally a rear service stand during installation. Be sure to save all stock exhaust components for possible use later.

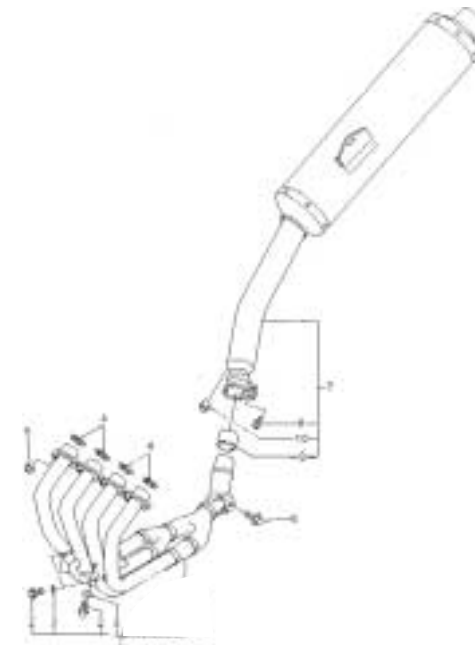
Installation Instructions

1. Make sure the bike is completely cool before starting the installation. Make sure the bike is secure on the sidestand or ideally a rear service stand.
2. Remove the stock muffler at the passenger footpeg bracket and where it attaches to the stock headers.
3. Remove the rear turn signals and replace with the provided flush mount turn signals. Use the scotch locks to splice into the stock wiring. We recommend sealing the connector with electrical tape or shrink tubing.
4. Remove the passenger footpegs. Install the hanger bracket with the 8mm x 45mm bolts and washers provided. Depending on the bike, you may need to cut out a small section of the black inner plastic bodywork.
5. Connect the new S-bend pipe to your stock header, using the supplied T-bolt clamp. You will NOT be reusing the exhaust gasket. **Leave loose for now.**
6. Place a bead of the hi-temp sealant on the outside edge of the s-bend that goes into the canister. Slide the TBR canister onto the end of the S-bend pipe. Wipe off the excess sealant that will squeeze out.
7. Carefully slide the muffler clamp over the muffler. (**Note:** The stainless steel canister clamp and the name badge on the canister come from the factory with a clear plastic protective film. Please remove this film before operation.) Attach the clamp to the hanger bracket using the 8mm x 40mm bolt, washers and nut provided.
8. Be sure everything is properly aligned and tighten all hardware. Install the two springs.
9. Before you run the bike, clean off all fingerprints and dirt, as any oily residue will etch the metal and become somewhat permanent when the system gets hot. Run the bike and enjoy. It is normal for some white smoke to appear the first time you start the bike. This is packing/manufacturing oil from inside the pipe burning off. Check for gaps or leaks. If you find a leak, a little high temperature silicon sealant should fix it. After 50 to 100 miles, recheck all fasteners for tightness.

Scotch Lock Detail



OE Exhaust System



Canister Clamp Detail

