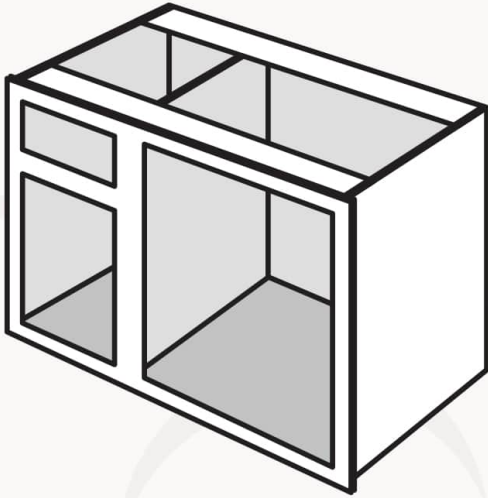
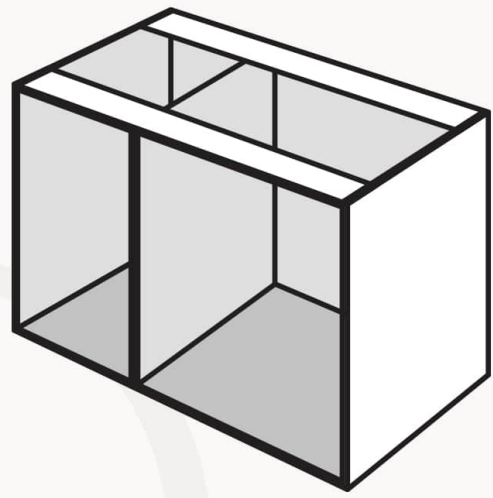


HOW TO INSTALL

1. There are 2 popular types of cabinets structure. First, identify your cabinet type and check the suitable box:

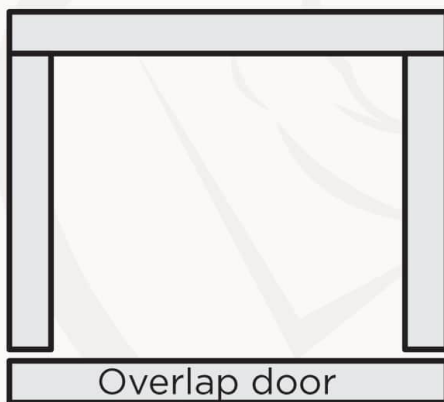


Face frame cabinet has a frame around the front of the cabinet. The door hinge is fixed to the frame.



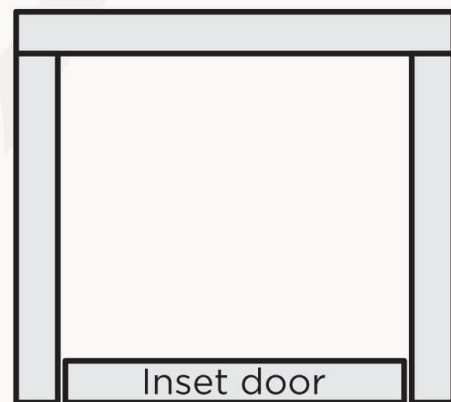
Frameless cabinet (European style) doesn't have a frame around the front of the cabinet. The door hinge is fixed directly to the side of the cabinet box.

2. Also, there are 2 popular types of doors. Identify your door type and check the suitable box:



open

Overlap door: The door is larger than the opening and "lays over" it.



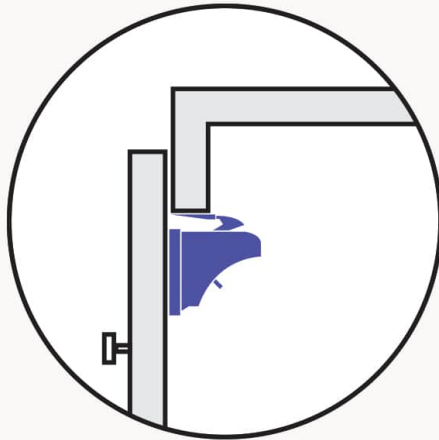
open

Inset door: The door fits completely in the opening and is flush with the cabinet surface.

3. Now, after you've identified your cabinets and doors type, find the specific instructions on the next page, and follow them.

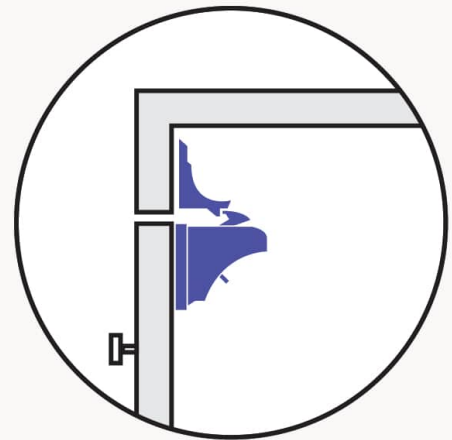
Face Frame Cabinet

WITH OVERLAP DOOR



1. Use the small latch. Peel the sticker and adhere it on the frame's edge. Measure the overlap between the frame and the door.
2. Peel the sticker and adhere the magnetic lock to the door, few mm lower than the distance you measured, in a parallel position to the latch.
3. You're all done!

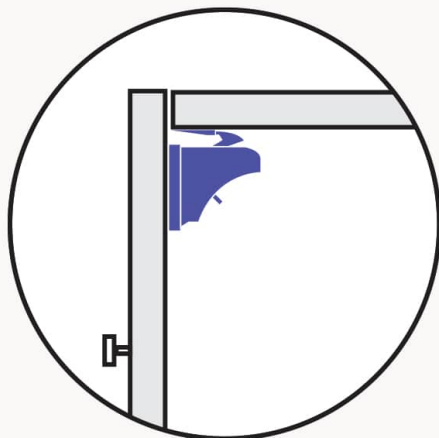
WITH INSET DOOR



1. Use the "L" shape latch in a way that the latch will look like a proper "L". Peel the sticker and adhere it to the inside of the frame.
2. Peel the sticker and adhere the magnetic lock to the door, few mm lower than the edge, in a parallel position to the latch.
3. You're all done!

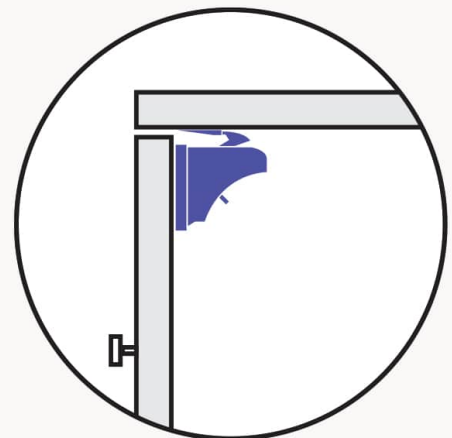
Frameless Cabinet

WITH OVERLAP DOOR



1. Use the small latch. Peel the sticker and adhere it on the frame's edge. Measure the overlap between the door and the cabinet wall.
2. Peel the sticker and adhere the magnetic lock to the door, few mm lower than the distance you measured, in a parallel position to the latch.
3. You're all done!

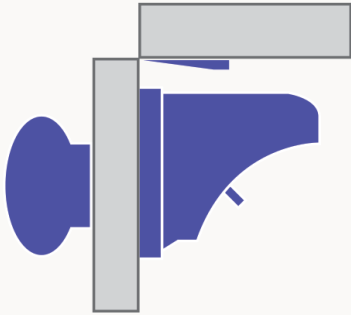
WITH INSET DOOR



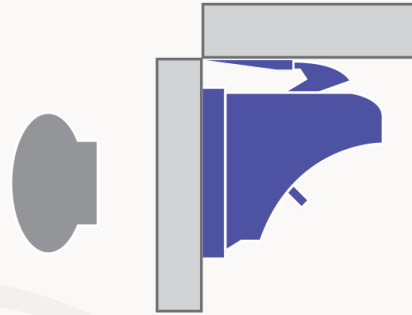
1. Use the small latch. Measure the thickness of the door. Peel the sticker and adhere the latch at the same distance from the cabinet box edge.
2. Peel the sticker and adhere the magnetic lock to the door, few mm lower than the edge, in a parallel position to the latch.
3. You're all done!

HOW TO USE

HOW TO USE THE KEY



To unlock the door, align the key with the lock. The door is now unlocked and you can pull the door handle using your other hand.



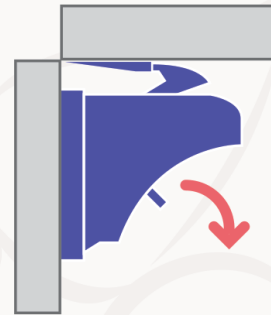
To re-lock the door, pull away the key from the door.

*The magnetic key is able to penetrate doors with a max thickness of 30mm

HOW TO DISABLE THE LOCK



To allow quick access to a specific cabinet, pull the switch up until you hear a “click” and the moving clasp is disengaged. Another option is to take out the lock from its mount base.



To reset the lock, pull the switch down to only allow access with the magnetic key. If you took the lock out, gently put it back in its base and make sure the switch is down.

KEY HOLDER



Adhere the key holder out of children’s reach. You can also put the key directly on the fridge, high and away from children.

*We added screws to this set of magnetic locks. We know that the adhesive is strong enough but if you feel the need for extra protection please use the screws. Always place the locks using the adhesive first. Make sure you placed it in a convenient position for you to open the door, and that the locks and latches parallel to one another and the door can be locked. Only then, screw the locks and latches to the cabinet. DO NOT use the screws on a thin door or frame. Remember that the screws holes will leave a mark on your cabinets after you no longer need the locks.