



# SmarterFresh Faucet Sprayer Installation

## Model SF-FSB600

### INCLUDED IN BOX:

- 6-Function Hand Shower with Safety Water-Pause
- Stainless Steel Water Hose with PEX Inner Tube
- Hand Shower Holder for Toilet Tank or Wall Mount
- Faucet Diverter with Aerator

### INCLUDED IN BAG

- Male Threaded Adapter
- 2 Rubber Washers
- Blue Screw Key to Remove/Clean Faucet Diverter Aerator (future use)

**Warning:** Threads on *Male Threaded Adapter* May be Sharp When Handling, Proceed with Caution

**STEP 1:** At bathroom faucet, use hand to unscrew the aerator from bottom of faucet (**FIGURE A**). If it will not budge, consider using pliers to untighten, using a cloth around aerator to protect from scratches.

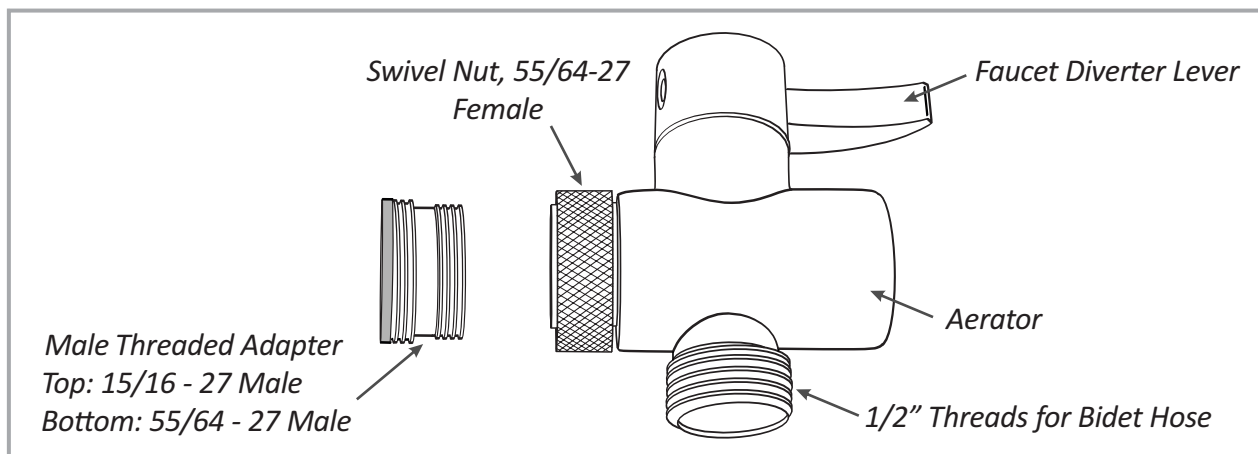
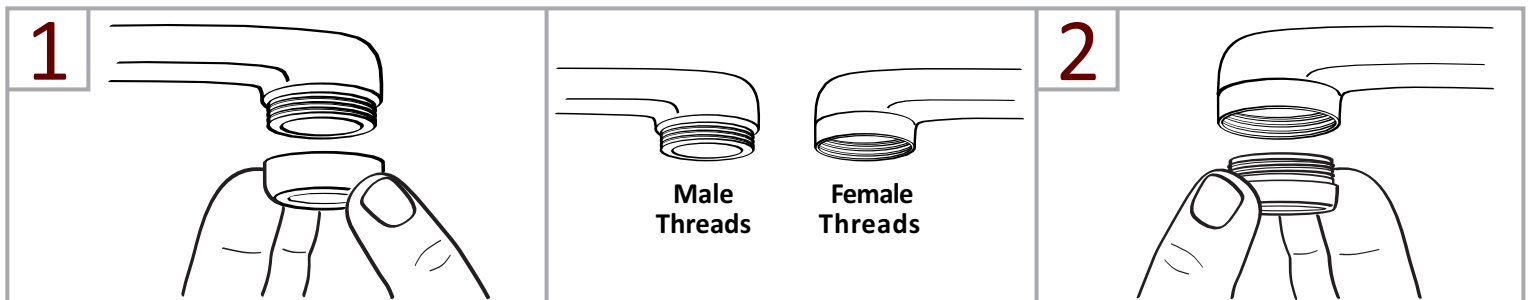
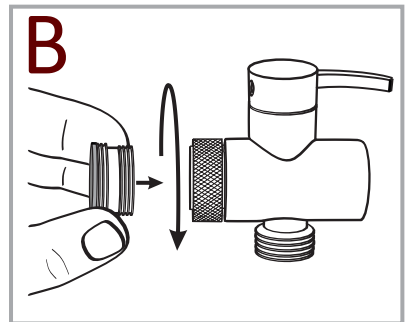
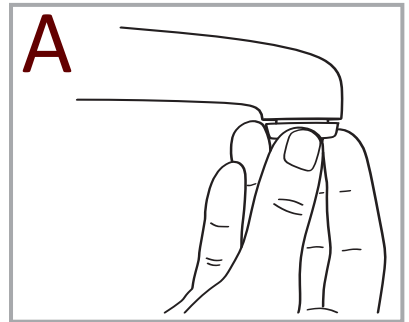
### DETERMINING FAUCET TYPE:

A) Once aerator has been removed from faucet, if faucet has threads on the **outside** (Image 1), proceed **without** the provided *Male Threaded Adapter* and simply screw the *Faucet Diverter* into place. Make sure a clear rubber washer (found in bag) is in bottom of swivel nut on *Faucet Diverter* and screw into faucet, turning multiple times by hand to tighten into place. If faucet does not have male threads, move onto **Step B**; otherwise skip to '**Finishing Installation**' section.


**HINT:** If you have trouble screwing in *Faucet Diverter*, your bathroom faucet may *already* have a rubber washer inside so be sure to check.

B) Once your faucet aerator has been removed, if faucet has threads on the **inside** (Image 2), use the provided *Male Threaded Adapter*. Screw *Male Threaded Adapter* into the swivel nut over the existing clear rubber washer that is seated flat inside the swivel nut. (**FIGURE B**).

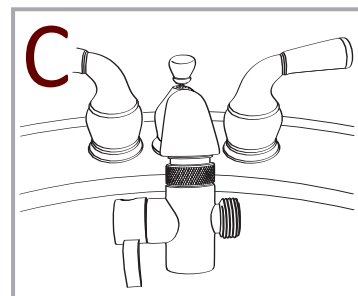
The second rubber washer (found in bag) should be placed on the exterior, larger open side of the *Male Threaded Adapter* and should fit snug into grooves of the adapter. Screw entire *Faucet Diverter* with attached *Male Threaded Adapter* into faucet, turning multiple times by hand to tighten into place. Again, if the *Adapter* does not screw in tightly, your bathroom faucet may already have a rubber washer inside the faucet or you can test the connection without the washer.



## Faucet Diverter or Male Threaded Adapter Doesn't Fit?

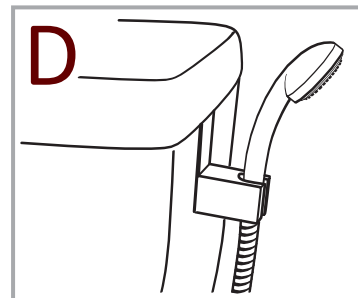
Please check the **STOP Card**  located inside the product packaging. It lists solutions to securing the right fit. We can send you a few different size adapters to test on your faucet or you may visit your local Ace Hardware that has a wide variety of adapters for situations just like this.

Our Faucet Sprayer set uses the most common aerator thread size -- the *Faucet Diverter* is 55/64-27 female. The *Male Threaded Adapter* is 55/64-27 male (bottom) and 15/16-27 male (top).



## FINISHING INSTALLATION:

- 1) Make sure *Faucet Diverter* lever is off (pointed down) (**FIGURE C**). Turn on water with the faucet handle(s) to check for leaks. The water should flow smoothly down through the aerator into the sink. Turn water off before proceeding. (The included blue screw key will help remove the aerator from the *Faucet Diverter* in order to clean and maintain in the future)
- 2) Locate *Water Hose* and connect smaller end (hexagon shaped nut) to opening of *Faucet Diverter* and screw on tightly by hand.
- 3) Locate *Hand Shower* and affix to other end of water hose by hand.




## OPERATION AND USAGE:

With the *Faucet Diverter* lever still pointed down, turn on the hot water handle until a desired temperature is reached.

Turn off the hot water and turn on cold water handle. Slowly turn on hot water again until the appropriate temperature has been reached. This is the correct approach to acquire the right temperature -- the hot water should never be turned on high and mixed with cold water because scalding can occur in conjunction with other water sources being used in your home. This includes toilets flushing or showers or faucets being used concurrently.

Once appropriate temperature has been reached, press the *Faucet Diverter* lever forward with your finger to activate and divert the water into the water hose and hand shower. Direct the hand shower into the sink or toilet to anticipate the flow of water and confirm the correct water temperature before using on your child.

## HAND SHOWER USAGE:

Water spray is adjustable with 6 water stream settings. With the lever furthest to the right, the water will only drip from the hand shower (as a reminder to turn off the faucet when finished using the set). Please check the **STOP Card**  located inside the product packaging. The other six settings have different rinse and spray settings to use. You can use your thumb to change the settings while the water is on. It is highly suggested to test the settings prior to using on a child or adult.

You can reduce the speed of the flow by placing the *Faucet Diverter* lever at only half the distance, assessing the sprayer flow, and increasing until the perfect water flow speed is reached.

The *Faucet Sprayer Set* has additional uses including shower use, hair washing, male and female hygiene, cleaning toilets, sinks, or tub shower, cloth diaper cleaning, washing pets, etc.

## SPRAYER HOLDER:

The included *Sprayer Holder* can be used to cradle the *Hand Shower* and fits under the inside of most toilet tank lids. Place *Hand Shower* inside *Sprayer Holder* (**FIGURE D**).

You can wall mount the *Sprayer Holder* by disassembling the hook holder. With screwdriver, remove screws from backside of hook. Use provided long screws and anchors to attach holder to wall through two holes on front side of holder. Two sets of anchors are provided for different mounting surfaces.

The water hose can be removed while the *Faucet Diverter* stays attached and used as a normal faucet. Be sure to leave the lever in the correct down position in this scenario.

## WARNING MESSAGE:

**ALWAYS** turn off the bathroom faucet after using the SmarterFresh Faucet Sprayer. If you choose to not turn off faucet, you risk weakening the internal components of the diverter, sprayer and hose, or exposing your home to water damage or flooding. Manufacturer is not responsible for damage which may have been caused by failure to follow this recommendation.

**ALWAYS** make sure the hot water tank in home is set appropriately to prevent scalding from water. Our recommendation is to not use hot water from the faucet as this can make the sprayer and/or hose very hot to the touch.

Contact us for installation instructions or questions at [support@smarterfresh.com](mailto:support@smarterfresh.com).

Do NOT return product to retail store or online before contacting us.

 [www.SmarterFresh.com](http://www.SmarterFresh.com)