

POWER LINE HAULER POT PULLER

OPERATING MANUAL

MH 200



MANUAL-INSTRUCTIONS

Safety instructions

The haulers are designed to operate safely and reliably as long as they are used according to the operation manual. Please read this manual carefully before you install or start the hauler. Ignoring these instructions can cause property damage or worse – personal injury. We accept no liability for damages caused by actions that are not in compliance with this operation manual.

To ensure safe operation of the hauler please take note of the following:

- The hauler consists of foldable parts which might cause personal injury if handled without care. Extra care needs to be taken while mounting and dismounting the hauler.
- Use caution once the hauler is in use and keep fingers away from the pulley and moving parts.
- Bear in mind that the hauler can affect the stability of the boat.
- The hauler's electric motor may affect electrical instruments onboard.
- The haulers are constructed for relatively short hauling periods with resting periods in between hauls.
- Do not use the hauler for pulling up pots that have fastened on the sea floor.
- Use the hauler with caution and good judgment.

Operating Instructions

The following are the most important operating instructions for the haulers. Apart from these instructions, please review the complete manual to prevent damage to the hauler and its electric motor.

- Do not run the hauler for continuous periods of time close to hauling limits without letting it rest for equal periods of time.
- When mounted, the hauler's electronics are protected against spray and swell water. However, the hauler and the motor-unit must not be submerged. Submerging the unit can irreparably damage the electronics.
- After use, always dismount the hauler and disconnect the electric socket from the battery using a master switch. This completely cuts the power supply to the socket and prevents the battery from discharging during the stoppage time due to current leakage. Close the water proof protection lid to the electric socket.
- After use in salt or brackish water, Clean the hauler by wet cloth with fresh water. Never immerse motor units in water, nor rinse them under the water.
- Occasionally use contact spray to care for the electric plug and socket.
- Store the hauler in dry conditions.



MANUAL- INSTALLATION

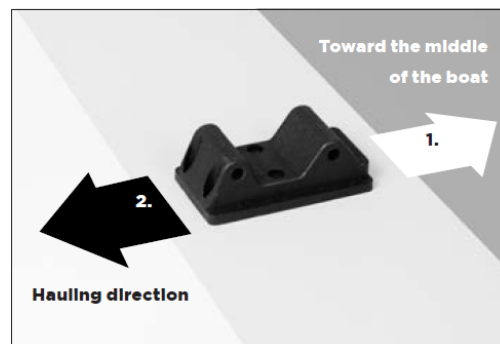
Twin Mount Bracket

When deciding where on the boat the Twin Mount Bracket shall be bolted down - consider the following parameters:

- Find the optimal operating location on the boat for hauling traps and nets.
- Ensure that the deck of the boat is strong enough to withstand the forces generated by the hauler. If necessary the deck can be reinforced with stainless Reinforcement plates.
- Make sure that there is enough space for extending and retracting the hauler arm.
- Can the electric cables easily be drawn to this location from the electrical power source
- Make sure that the chosen operating location minimizes the effects on the boat's stability caused by the hauler.

The respective Twin Mount Bracket is bolted down in the following manner:

- 1.The asymmetric part of the bracket is mounted towards the middle of the boat.
- 2.The bracket should, if space allows, be installed at an angle to the normal hauling direction.



MANUAL- INSTALLATION

Electric socket, Wiring etc.

Install the electric socket, if possible, in an area naturally protected from spray and swell water.

Use a marine grade cable to connect the electric socket to the 12V battery. Wire it through a master switch so that the connection between the electric socket and battery can be isolated. This completely cuts the power supply to the socket and prevents the battery from discharging during the stoppage time due to current leakage.

The plus (+) pole of the battery connects with the socket contact marked with a (+) of the electric socket. The other socket contact in turn connects with the minus (-) pole of the battery. The elevated center socket contact is for an earthing cable.

The required cross-section of the wire is dependent on the length of wire needed to connect the electric socket to the battery. The longer the wire, the larger cross-section is required. See the following guide based on a maximum voltage drop of 1V using a copper cable:

Battery requirement

We recommend that a marine 12V battery with a minimum capacity of 60-80 Ah is used.

Fuses etc.

The haulers have a built in bimetal fuse so there is no need to install an external fuse. The bimetal fuse is integrated in the motor cover and protects the heavy duty motor from both shorter current peaks and longer mid to high current intervals. It reacts to both high currents and increased temperature due to longer hauls at close to maximum working loads. The bimetal fuse automatically resets once it cools down.



MANUAL- OPERATION

Mounting the hauler

The hauler is mounted on the Twin Mount Bracket with the two vertical axel supports facing outwards, and the single axel support on the opposite side, facing inwards.

Once in place over the Twin Mount Bracket insert the twin drop nose pin and make sure the hauler is safely secured.

Open the lid of the electric socket and insert the plug by making its bulge line up with the socket's dent. Once the plug is fully inserted, rotate the locking-wheel to lock it in place.

Foldable arm

Loosen the hauling arm from its secure folded position and extend it fully. Press the arm gently down once fully extended and it will snap into its grip. Free the pulley from the folding arm so that it hangs freely.

Rotating axel

Either leave the rotating axel in an unlocked position, allowing the hauler to follow the direction of the pull, or lock it in a fixed position with the nylon locking screw knob.

The second stainless screw, located above the nylon locking screw knob, prevents the hauler from being lifted from its axle. It should not be unscrewed, and cannot be used to lock the position of the rotating axel.

Electrical Switch

The haulers are fitted with a forward and reverse switch, allowing the hauling wheel to be operated in both directions. The position marked I will rotate the hauling wheel in its normal direction and the position marked II will rotate it in the opposite direction.

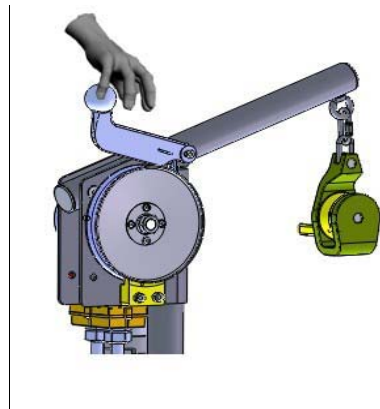


MANUAL- OPERATION

Line feeds

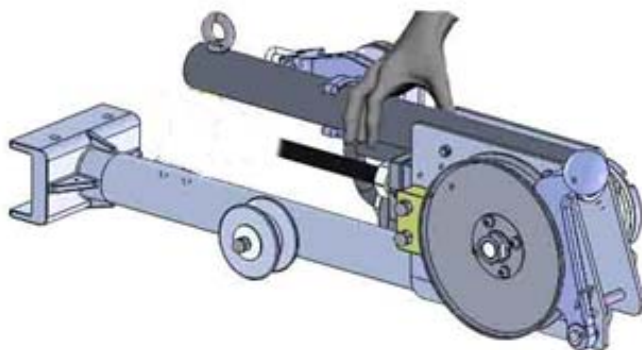
The standard way of operating the hauler is to feed the rope over the open pulley, around the forward lower nylon wheel and then around the stainless sheave, underneath the press arm. The press arm supplies enough traction for the sheaves to self-haul.

The haulers ejector knife makes sure the line does not get stuck in between the sheaves.



Dismounting the hauler

Fasten the pulley to the hauling arm using the back clip and then pull slightly upwards on the hauling arm until it loosens from the arm grip. Carefully rotate the arm to its folded position and secure it in the lower grip. Remove the electric plug by un-tightening the locking-wheel and then pulling it out. Remove the twin drop nose pin and gently lift the hauler from the bracket.



Carrying the hauler

The hauler can easily be carried by the section as shown above.

MANUAL- OPERATION

Maintenance etc.

- After use in salt or brackish water, Clean the hauler by wet cloth with fresh water. Never immerse motor units in water, nor rinse them under the water.
- Occasionally use contact spray to care for the electric plug and socket.
- Expose the axel once or twice per year by removing the top locking bolt and apply some water resistant grease.
- When necessary use a degreaser spray on the stainless sheaves to achieve better traction between the rope and sheaves.
- Store the hauler in dry conditions.



EU Declaration of Conformity

BADA MECHANICAL & ELECTRICAL CO.,LTD , with sole responsibility, declares the conformity of haulers with all currently applicable EU provisions.

Lysekil, June 2014

End-user feedback

We constantly strive to improve haulers and accessories, so if you have any comments or suggestions regarding the design and use of our products, positive or negative, we would be very pleased to hear from you.

MANUAL WARRANTY CONDITIONS

WARRANTY CONDITIONS

Our guarantees the final purchaser of Hauler that this product is free from material and manufacturing faults during the period stated below. We will indemnify the final purchaser for any expenses for the repair of a material or manufacturing fault. This indemnification obligation does not cover the consequential costs of a warranty claim or any other financial losses (e.g. loss of earnings, loss of time, costs for telecommunications etc.)

The warranty ends two years after the date on which the product was delivered to the final purchaser. Products that are used commercially, semi-commercially or by public authorities – even if only temporarily – are excluded from this two-year warranty. In these cases, the statutory warranty applies. The right to claim under warranty expires six months after discovery of a fault.

We decide whether faulty parts are to be repaired or replaced. Distributors and dealers, who repair the hauler, or parts thereof, have no authority to make legally binding statements on behalf of us.

Normal wear and tear and routine servicing are excluded from this warranty.

We have the right to refuse a warranty claim if:

- The warranty was not correctly submitted (failure to contact us before sending back the goods, failure to present a dated proof of purchase etc.)
- The hauler was not handled in accordance with the instructions.
- The safety, installation, operation or care instructions were not observed.
- The hauler was in any way altered or modified or parts and accessories were added that are not expressly permitted or recommended by us
- Previous services or repairs were not carried out by firms authorized by us, or non-original parts were used.

As well as the rights arising from this warranty, the customer also has legal warranty claim rights arising from the purchase contract with the dealer which are not excluded by this warranty.

MANUAL-TECHNICAL SPECIFICATIONS

Technical specifications	MH200	MH300
Voltage	12V	12V
Hauling power (up to)	90kg	140kg
Hauling speed - normal load	35m/min	45m/min
Hauling speed - heavy load	30m/min	40m/min
Weight	13.5cm	23.2cm
Height	87 cm	94.7cm
Width	50cm	60.4cm
Diameter rope sheaves	18 cm	32cm
Line size span	4-10mm	4-10mm
Power consumption - no load	12A	
Power consumption - heavy load	75A	
Rated power output	900W	900W
Twin Mount Bracket	Small	Small
Fuse type (automatic reset)	Bimetal	Bimetal